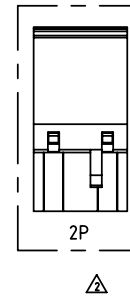
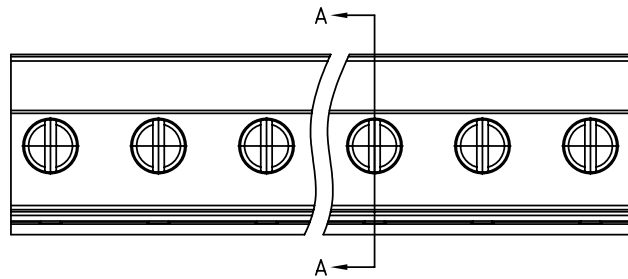


SIGN	DATE	DESCRIPTION	APPROVER
△	2008.6.19	The dimension changed from 26.00mm to 26.25mm	Kind
△	2010.03.12	Add the 2p mark	Jacke
△	2010.05.17	The design is changed	Jacke

THIS IS CAD DRAWING, DO NOT REVISE MANUALLY!!!

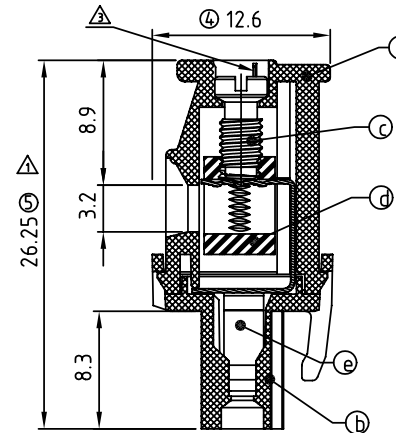
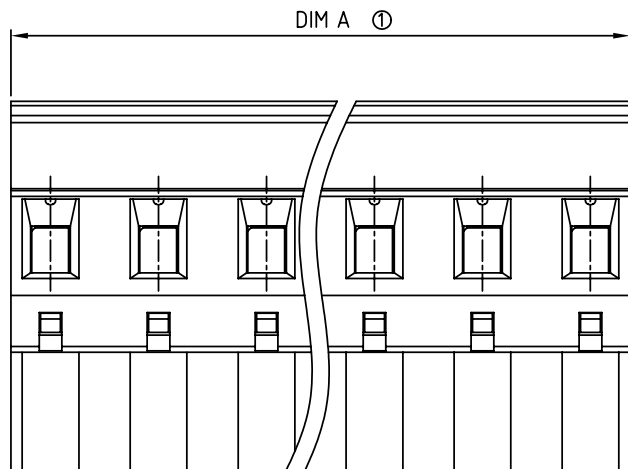


### Material

- Item a Terminal body:PA66 ( UL94V-0 )
- Item b Terminal body:PA66 ( UL94V-0 )
- Item c Terminal screw:Steel Zinc plating "-" slot type
- Item d Clamp:Brass, Ni plated
- Item e Female contact:PhBz ( CuSn ) Tin plated

### Electrical cULus/TUV

- Voltage rating: 300VAC/750VAC
- Current rating: 15A/15A
- Wire range:0.2-2.5mm<sup>2</sup>
- Solid wire(AWG): 12-24
- Stranded wire(AWG): 12-24
- Torque: 3.5 Lb-In 0.4Nm
- Screw: M3
- Wire strip length: 6-7mm
- Withstanding Voltage: 1.6KV/6KV
- Operating temperature: -40°C to +115°C
- Safety Approval: cULus TUV



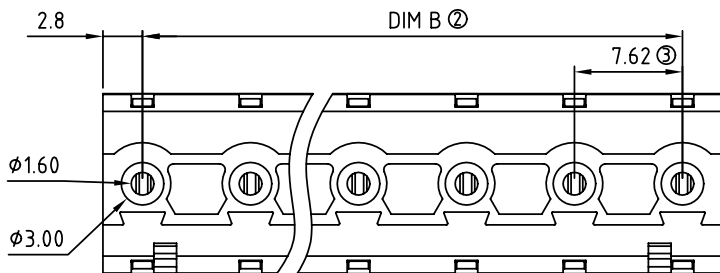
SECTION A-A

TS xx 01 x B xxxx G

- 02 2 CONTACTS
- 03 3 CONTACTS
- ... ..
- 16 16 CONTACTS

- Color
- 0 Black (RAL9005)
  - 2 Red (RAL3001/D)
  - 3 Orange(RAL2011/P)
  - 4 Yellow(RAL1018/A)
  - 5 Green(RAL6018/T)
  - 6 Blue (RAL5015/A)
  - 8 Grey(RAL7035/D)

0000 Standard @ Logo RoHS  
 000A Standard ANY Logo Pb<40,000ppm  
 Any special item by customer request, please contact sales department.



DimA=(N-1)×7.62+5.6  
 DimB=(N-1)×7.62  
 N=Number of contacts

POLES	DIM A	DIM B
2p-6p	±0.20	±0.20
7p-11p	±0.30	±0.30
12p-16p	±0.40	±0.40

# ANYTEK

## CUSTOMER COPY

ALL RIGHTS RESERVED. REPRODUCTION OR ISSUE TO THIRD PARTIES IN ANY FORM WHATSOEVER IS NOT PERMITTED WITHOUT WRITTEN AUTHORITY FROM THE PROPRIETOR. PROPERTY OF ANYTEK TECHNOLOGY CO., LTD

TITLE				TS7.62 Series (2-16p) hook on back side			
PART NO.		TSxx01xBxxxxG		DWG NO.		8TS0502	
APPROVED	CHECKED	DESIGNED	DRAWN	CUST NO.		Tolerance	
		Jacke	Jacke			UNIT: mm	X. ±0.50
		2010.05.17	2010.03.12			SCALE: NONE	X.X ±0.30
SHEET: 01/01				REV.: E		X.XX ±0.10	X° ±1°