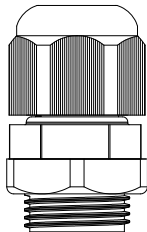
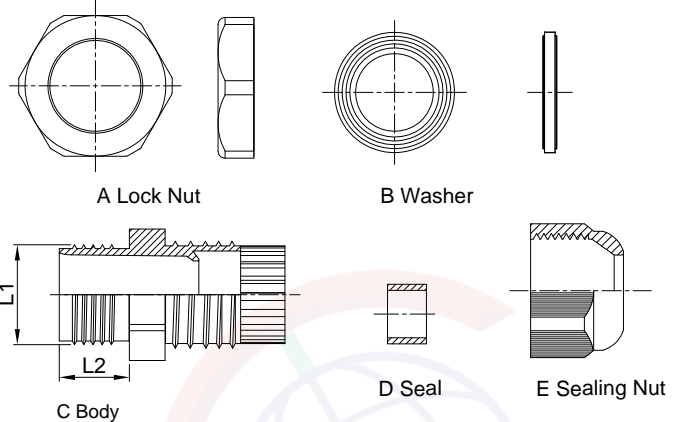


The information provided herein is from CONNPLY Electronic Co., Ltd. and is confidential. Any disclosure to a party other than the recipient is prohibited. The intellectual properties and its rights contained herein, including but not limited to, trademarks, patents, copyrights, trade secrets, and technical know-how, are owned exclusively by CONNPLY or its affiliates. Unauthorized use or reproduction of any part of this document is strictly prohibited. CONNPLY may enforce its intellectual property rights at its own discretion, failures or delays to exercise such rights does not constitute a waiver of such rights.

REV.	DESCRIPTION	DRAWN	CHECKED	APPROVED
A	NEW RELEASE	JLZ 08/04/23'		



Assembled



A Lock Nut

B Washer

C Body

D Seal

E Sealing Nut

Notes:
 Specifications:
 1. Temperature: -20°C~+80°C.
 Materials:
 1. Material: Parts A,C,E are made of Nylon or PP; Parts B and D are made of NBR.
 Product Number Code:

DS1170-02 - X X X

X — Materials type
 N: Nylon P: PP
 X — Color
 A: Gray B: Black
 X — Model
 M8 M8L M10 M12 M14 M14S

 M63 M63S

Model	Cable Range(mm)	Thread O.D.L1(mm)	Thread Length L2(mm)	Spanner Size A&E(mm)
M8	2-4	8	8	11/13
M8L	2-4	8	12	11/13
M10	2-5	10	7	12.5/14
M12	3-6.5	12	9	18/16
M12S	2-5	12	9	18/16
M14	4-8	14	9	22/19
M14S	2-6	14	9	22/19
M16	4-8	16	9	22/19
M16S	2-6	16	9	22/19
M18	5-10	18	9	24/22
M18S	3-7	18	9	24/22
M20	6-12	20	10	27/24
M20S	5-10	20	10	27/24
M22	10-14	22	10	30/27
M22S	7-12	22	10	30/27
M24	10-15	24	10	30/28
M24S	10-12	24	10	30/28
M25	10-15	25	11	31/28
M25S	10-12	25	11	31/28
M25B	13-18	25	11	31/28
M27	13-18	27	12	35/33
M27S	9-16	27	12	35/33
M28	13-18	28	12	35/33
M28S	9-16	28	12	35/33
M30	16-21	30	12	37/35
M30S	13-18	30	12	37/35
M32	16-21	32	12	38/35
M32S	13-18	32	12	38/35
M36	18-25	36	12	45/42
M36S	13-20	36	12	45/42
M40	22-32	40	15	52/52
M40S	20-26	40	15	52/52
M50	32-38	50	18	62/58
M50S	25-31	50	18	62/58
M58	37-44	58	18	70/64
M58S	29-35	58	18	70/64
M63	37-44	63	18	72/64
M63S	29-35	63	18	72/64



(Series Image-Reference Only)

GENERAL TOLERANCE		ANGLE TOLERANCE		PROJECTION		TITLE	
X.	±0.60	X.	±5°	UNITS	mm	Plastic fixed cable gland M*1.5 type	
.X	±0.38	.X	±3°	SHEET SIZE	A4	SERIES	DS1170-02 SERIES
.XX	±0.25	.XX	±2°				
DRAWING TYPE		CUSTOMER		晨翔电子有限公司 CONNPLY CONNPLY ELECTRONIC CO. LTD			
SCALE	1:1	SHEET	1 OF 4				
DRAWING NO.	C-DS1170-02-XXX-A						