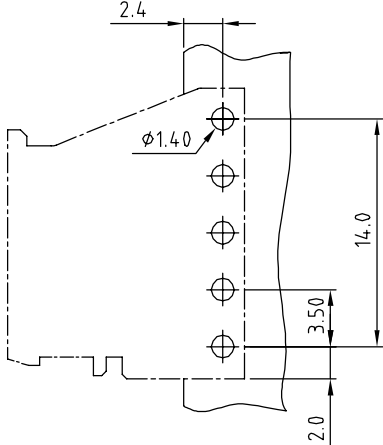
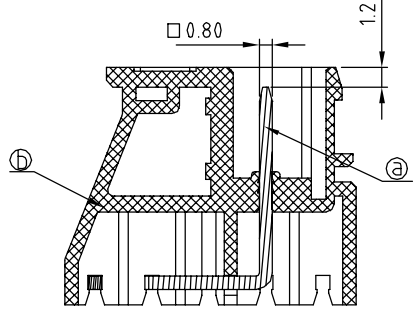
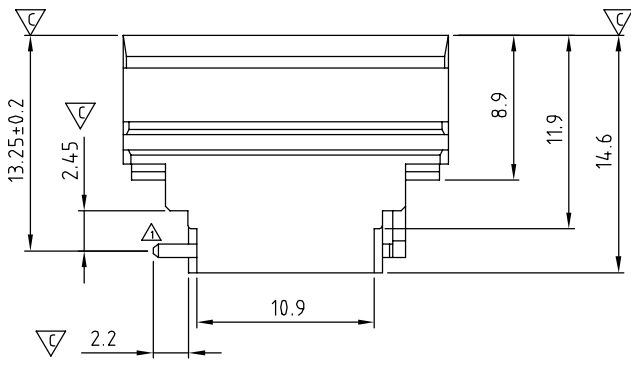
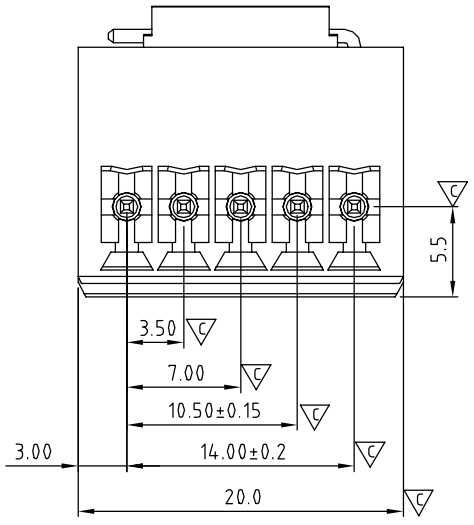


SIGN	DATE	DESCRIPTION	APPROVER
△	02/18'12	Change the pin chamfer	Aaron
△			

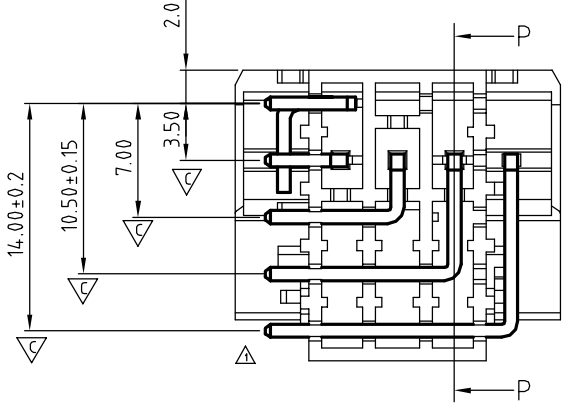
THIS IS CAD DRAWING, DO NOT REVISE MANUALLY!!!



P.C.B LAYOUT



Section P-P



Material:

- Item ① Male contact pin: Copper Tin plated
- Item ② Terminal(housing): Thermoplastic (UL94V-0)

Electrical:

- Voltage rating: 300V
- Current rating: 10A
- Withstanding Voltage: 1.6 KV
- Operating temperature: -40°C to +115°C
- Soldering temperature: 250°C±10°C/5 Sec
- Safety Approval:
- Critical dimension: ▽

EU 05 10 x 1 xxxx G

- COLOR
- 0 Black (RAL9005)
  - 2 Red (RAL3001/D)
  - 3 Orange(RAL2011/P)
  - 4 Yellow(RAL1018/A)
  - 5 Green(RAL6018/T)
  - 6 Blue (RAL5015/A)
  - 8 Grey(RAL7035/D)
  - 9 White(RAL1102)
  - C Green(RAL6018/U)

RoHS compliant (lead<4%)  
In copper Alloy

0000 Standard @ Logo  
000A Standard ANY Logo  
Any special item by customer request, please contact sales department.

<b>ANYTEK</b>				<b>CUSTOMER COPY</b>					
ALL RIGHTS RESERVED. REPRODUCTION OR ISSUE TO THIRD PARTIES IN ANY FORM WHATSOEVER IS NOT PERMITTED WITHOUT WRITTEN AUTHORITY FROM THE PROPRIETOR. PROPERTY OF ANYTEK TECHNOLOGY CO., LTD									
TITLE		EU 3.5 SERIES 5P (Left)				DWG NO.		8EU0102	
PART NO.		EU0510x1xxxxG				CUST NO.			
APPROVED		CHECKED		DESIGNED		DRAWN		Tolerance	
				Aaron 2012.02.18		Jacke 2010.07.17		X. ±0.50 X.X ±0.30 X.XX ±0.10 X° ±1°	
								UNIT: mm SCALE: NONE	
						SHEET: 01/01		REV.: C	