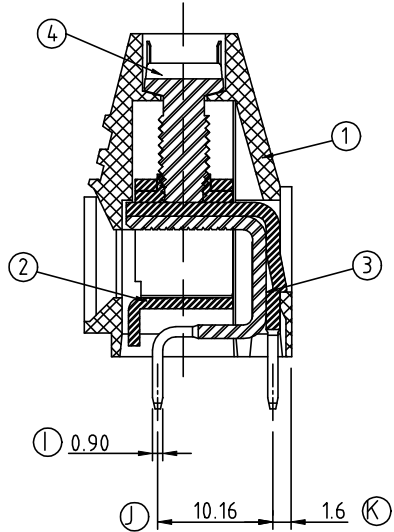
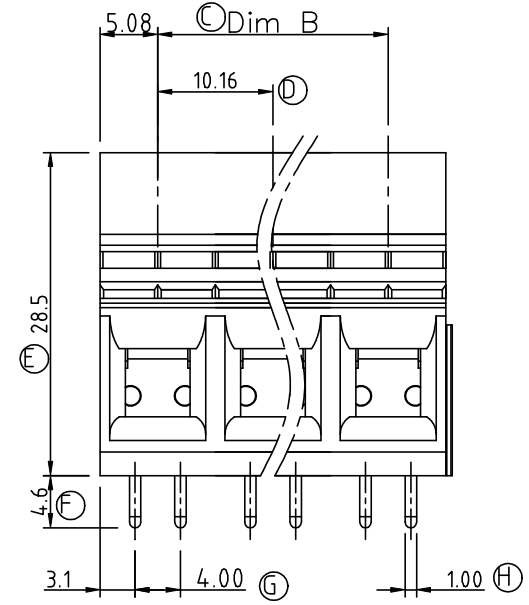
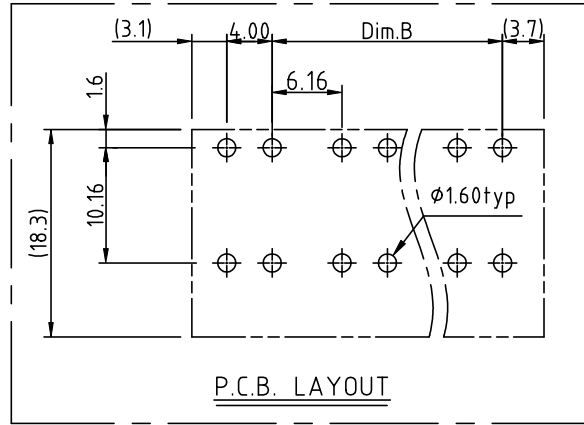
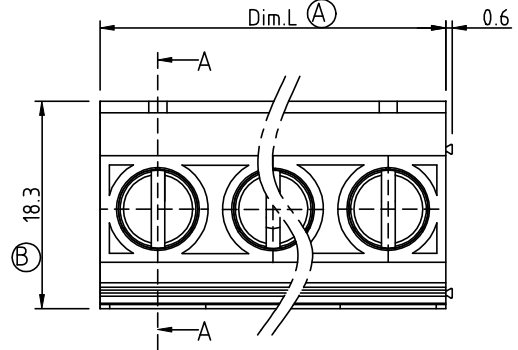


SIGN	DATE	DESCRIPTION	APPROVER
△	05/20'15	Update the drawing	Airy min
△			

THIS IS CAD DRAWING, DO NOT REVISE MANUALLY!!!



- Material:
- Item 1 Terminal housing :Thermoplastic (UL 94V-0)
 - Item 2 Clamp : Steel stamping , Zinc plated
 - △ Item 3 Wire guard solder pin : Copper , Bright Tin plated over Nickel plated.
 - Item 4 Terminal screw: Steel Zinc plating"-"/slot type
- Electrical cULus VDE △
- Voltage rating : 300V 450V
 - Current rating : 65A 76A
 - Wire range :
 - Solid wire (AWG) : 6-20 /0.5-16mm²
 - Stranded wire (AWG) : 6-20 /0.5-10mm²
 - Torque (LB-In.) : 19 Lb-In
 - Screw : M4.5
 - Wire strip length : 10~11mm
 - Withstanding voltage : 1.6KV /2.5KV
 - Operating temperature : -40°C+115°C
 - Soldering temperature : 260°C+5°C/5 Sec
 - Safety Approval : US

VP xx 6 5 x 8 xxxx G

			RoHS
			Pb<40,000ppm
No. of poles end	0	Black (RAL9005)	0000:"@"/Logo (Standard)
stackable sesign	2	Red (RAL3001/D)	000A:"ANYTEK"/Logo
02 2 CONTACTS	3	Orange(RAL2011/P)	Any special item by customer request, please contact sales department.
03 3 CONTACTS	4	Yellow(RAL1018/A)	
... ..	5	Green(RAL6018/T)	
12 12 CONTACTS	6	Blue (RAL5015/A)	
	8	Grey(RAL7035/D)	

Poles	02	03	04	05	06	07	08	09	10	11	12
Dim L	20.32	30.48	40.64	50.80	60.96	71.12	81.28	91.44	101.60	111.76	121.92
Dim B	10.16	20.32	30.48	40.64	50.80	60.96	71.12	81.28	91.44	101.60	111.76
TOL	±0.20			±0.30				±0.40			

ANYTEK				CUSTOMER COPY				
ALL RIGHTS RESERVED. REPRODUCTION OR ISSUE TO THIRD PARTIES IN ANY FORM WHATSOEVER IS NOT PERMITTED WITHOUT WRITTEN AUTHORITY FROM THE PROPRIETOR. PROPERTY OF ANYTEK TECHNOLOGY CO., LTD								
TITLE		VP 10.16 Series 2P-12P (pitch=4.00 Double parallel tail)						
PART NO.		VPxx65x8xxxxG			DWG NO.		8VP0008	
APPROVED	CHECKED	DESIGNED	DRAWN	CUST NO.		Tolerance		
		Airy min	Airy min			X.	±0.50	
		2015.05.20	2015.05.20			X.X	±0.30	
						X.XX	±0.10	
				SHEET: 01/01		REV.: C	X°	±1°