

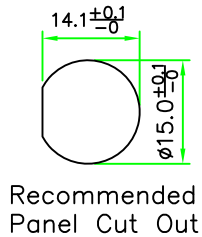
REV.	DESCRIPTION	DATE
A	ISSUE	May/14/2015

NOTES:

- ELECTRICAL CHARACTERISTICS:
CURRENT RATING: 1.5A / 2A / 4A
TEMPERATURE RANGE: -20°C TO +80°C
DIELECTRIC WITHSTANDING VOLTAGE:
500V AC FOR ONE MINUTE
- PANEL THICKNESS MAX. 3.0mm
- HOW TO ORDER: A12x-M2xxCPF

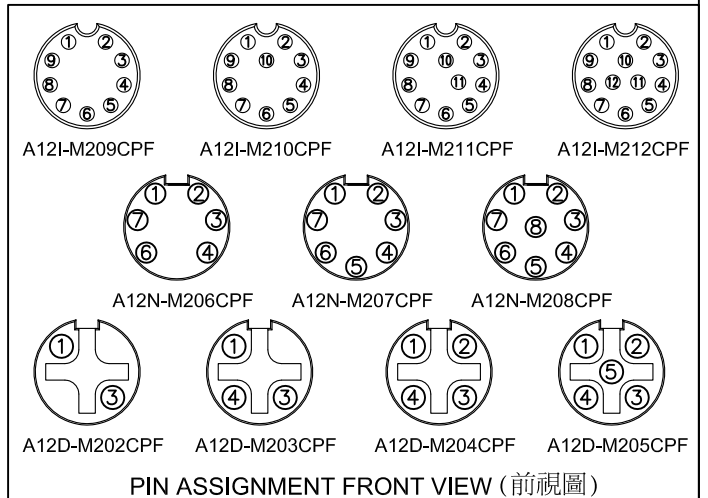
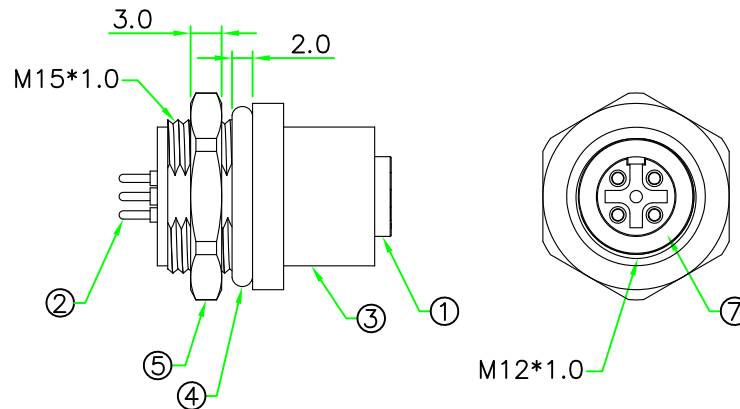
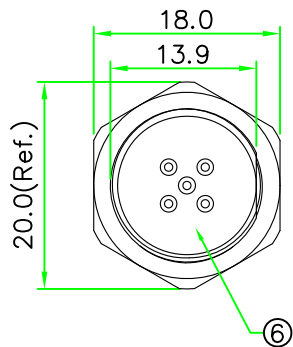
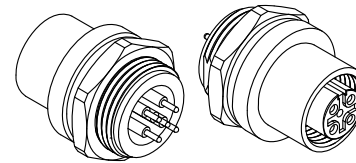
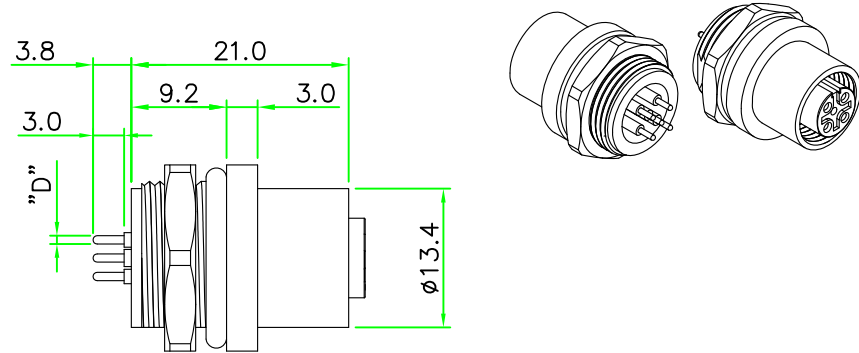
Ref

- | | |
|------------|------------|
| 02 - 2 PIN | 08 - 8 PIN |
| 03 - 3 PIN | 09 - 9 PIN |
| 04 - 4 PIN | 10 - 10PIN |
| 05 - 5 PIN | 11 - 11PIN |
| 06 - 6 PIN | 12 - 12PIN |
| 07 - 7 PIN | |
- I - CURRENT RATING 1.5A
N - CURRENT RATING 2A
D - CURRENT RATING 4A



RoHS
IP66~68

PIN	D
A12D	φ0.8
A12N	φ0.8
A12I	φ0.8

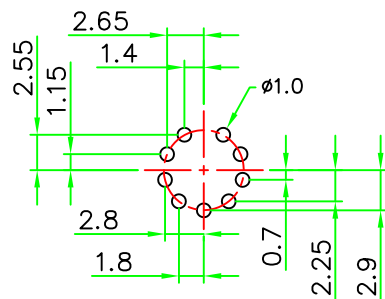


7	O-RING	VITON.	BLACK	1	
6	GLUE	EPOXY.	BLACK		
5	HEX NUT	BRASS, Nickel Plated.		1	
4	O-RING	SILICON.	BROWM	1	
3	HOUSING	BRASS, Nickel Plated.		1	
2	CONTACT	BRASS, 6 u" Gold Plated. Female Contact.		N	
1	CONNECTOR	M12 A-Coding Female Connector Insert. NYLON+GF.	BLACK	1	
No.	PART NAME	DESCRIPTION	COLOR	Q'TY	REMARKS

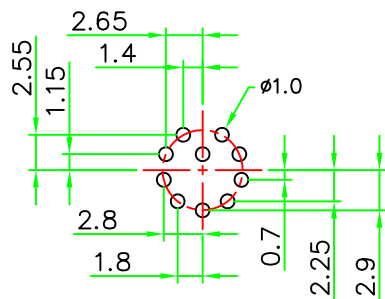
HOLIN® HTP ASIA TECHNOLOGY CO., LTD.
禾凌科技股份有限公司

	UNIT: mm	TITLE	M12 A-Coding Female Panel Connector Front Mount Round Flange With PCB Pin
	SCALE	1.5:1	
UNLESS OTHERWISE SPECIFIED TOLERANCES:		P/N:	A12x-M2xxCPF
x	±0.5	xx	±0.25
xxx	±0.1	ANGLE	± 1°
REV.	A	SHEET	1/2
DWG.NO:		A12x-M2xxCPF	DR. Patty CH. ERIC AP.

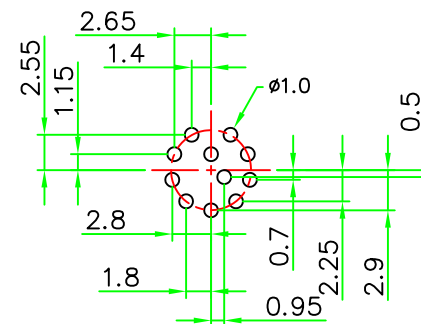
REV.	DESCRIPTION	DATE
A	ISSUE	May/14/2015



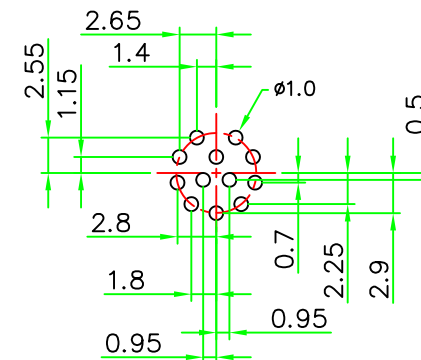
A12I-M209CPF



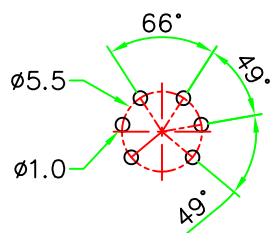
A12I-M210CPF



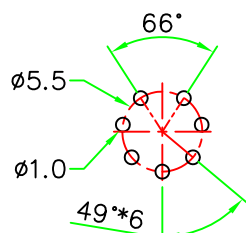
A12I-M211CPF



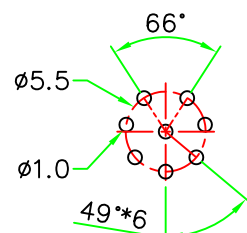
A12I-M212CPF



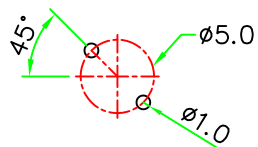
A12N-M206CPF



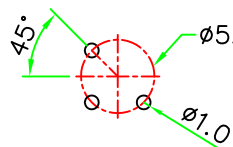
A12N-M207CPF



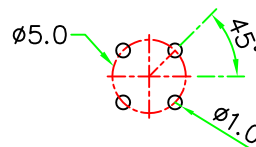
A12N-M208CPF



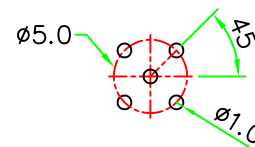
A12D-M202CPF



A12D-M203CPF



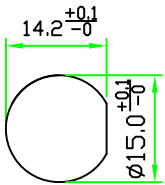
A12D-M204CPF



A12D-M205CPF

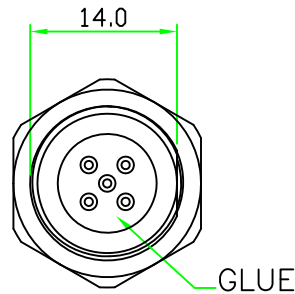
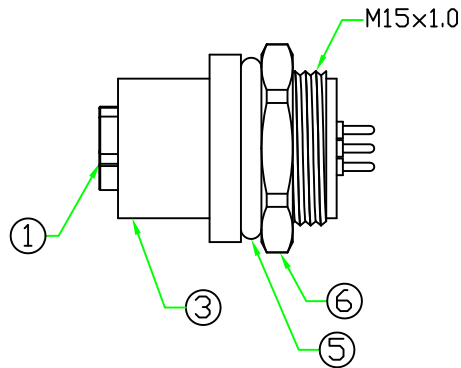
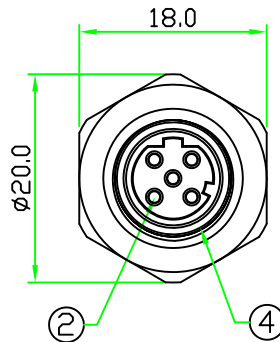
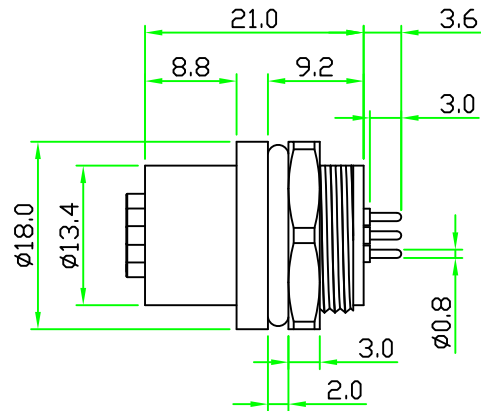
PCB LAYOUT

HOLIN® HTP ASIA TECHNOLOGY CO., LTD. 禾凌科技股份有限公司			
	UNIT: mm	TITLE : M12 A-Coding Female Panel Connector Fornt Mount Round Flange With PCB Pin	
SCALE	2:1	P/N: A12x-M2xxCPF	DR. Patty
UNLESS OTHERWISE SPECIFIED TOLERANCES: X ±0.5 XX ±0.25 XXX ±0.1 ANGLE ± 1°			CH. ERIC
REV. A	SHEET 2/2	DWG.NO: A12x-M2xxCPF	AP.



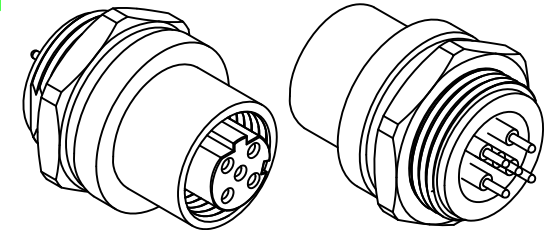
Recommended Panel Cut Out

RoHS
IP66~68



REV.	DESCRIPTION	DATE
A	ISSUE	Nov/19/2015

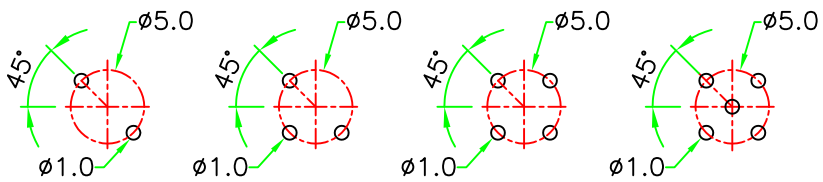
Ref.



NOTES:

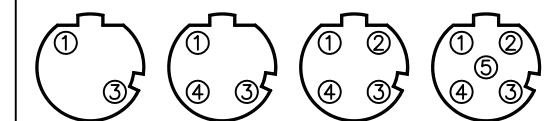
- ELECTRICAL CHARACTERISTICS:
CURRENT RATING: 4A
TEMPERATURE RANGE: -25°C TO +85°C
DIELECTRIC WITHSTANDING VOLTAGE:
500V AC FOR ONE MINUTE
- PANEL THICKNESS MAX. 3.0mm
- HOW TO ORDER: D12D-M2xxCPF

- 02 - 2 PIN
- 03 - 3 PIN
- 04 - 4 PIN
- 05 - 5 PIN



D12D-M202CPF D12D-M203CPF D12D-M204CPF D12D-M205CPF

PCB LAYOUT



D12D-M202CPF D12D-M203CPF D12D-M204CPF D12D-M205CPF

Pin Assignment Front View (前視圖)

6	HEX NUT	BRASS, Nickel Plated.		1	
5	O-RING	SILICON.	BROWN	1	
4	O-RING	VITON.	BLACK	1	
3	HOUSING	BRASS, Nickel Plated.		1	
2	CONTACT	BRASS, 6 u" Gold Plated. Female Contact.		N	
1	CONNECTOR	M12 D-Coding Female Connector Insert. NYLON+GF.	BLACK	1	
No.	PART NAME	DESCRIPTION	COLOR	Q'TY	REMARKS

HOLIN® HTP ASIA TECHNOLOGY CO., LTD.
禾凌科技股份有限公司

UNIT: mm TITLE : M12 D-Coding Female Connector Female Pin Front Mount Circular Flange PCB Pin

SCALE 1.5:1

UNLESS OTHERWISE SPECIFIED TOLERANCES:
.X ± 0.5 .XX ± 0.25
.XXX ± 0.1 ANGLE ± 1'

REV. A SHEET 1/1

P/N: D12D-M2xxCPF DR. Patty

DWG.NO: D12D-M2xxCPF CH. ERIC

AP.