



TAI-SAW TECHNOLOGY CO., LTD.

No. 3, Industrial 2nd Rd., Ping-Chen Industrial District,
Taoyuan, 324, Taiwan, R.O.C.

TEL: 886-3-4690038 FAX: 886-3-4697532

E-mail: tstsales@mail.taisaw.com Web: www.taisaw.com

Product Specifications Approval Sheet

Product Description: SAW Filter 829.5MHz SMD 13.3×6.5mm

TST Part No.: TB0804A

Customer Part No.: _____

Customer signature required
Company: _____
Division: _____
Approved by : _____
Date: _____

Checked by: _____ Ricky Lee *Ricky Lee*

Approved by: _____ Francis Chen *Francis Chen*

Date: _____ 2010/01/22

1. Customer signed back is required before TST can proceed with sample build and receive orders.
2. Orders received without customer signed back will be regarded as agreement on the specifications.
3. Any specifications changes must be approved upon by both parties and a new revision of specifications shall be released to reflect the changes.



TAI-SAW TECHNOLOGY CO., LTD.

No. 3, Industrial 2nd Rd., Ping-Chen Industrial District,
Taoyuan, 324, Taiwan, R.O.C.

TEL: 886-3-4690038 FAX: 886-3-4697532

E-mail: tstsales@mail.taisaw.com Web: www.taisaw.com

IF SAW Filter 829.5MHz(BW=14.5MHz) SMD 13.3X6.5mm

MODEL NO.: TB0804A

REV.2.0

A. MAXIMUM RATING:

1. Operating Temperature: -40 °C ~ +85 °C
2. Storage Temperature: -40 °C ~ +85 °C
3. Input power: 10dBm

RoHS Compliant
Lead free
Lead-free soldering

B. Characteristics :

Ambient Temperature: 25 °C

Item	Unit	Min.	Type.	Max.
Center frequency, Fc	MHz	-	829.5	-
Insertion Loss, IL	dB	-	23.8	26
1 dB Bandwidth	MHz		14.6	-
3 dB Bandwidth	MHz		15.3	
40 dB Bandwidth	MHz		18.7	19.2
Amplitude Ripple Fc ± 7.0MHz	dB		0.85	
Group-Delay Ripple Fc ± 7.0MHz	nsec		70	120
Absolute Delay	usec		0.9	
Temperature Coefficient of frequency	PPM/ °C ²	-0.036		
Package	mm ³	13.3x6.5		
Notes				

C. Frequency Characteristics :

1. S21 Response: (span : 80MHz)

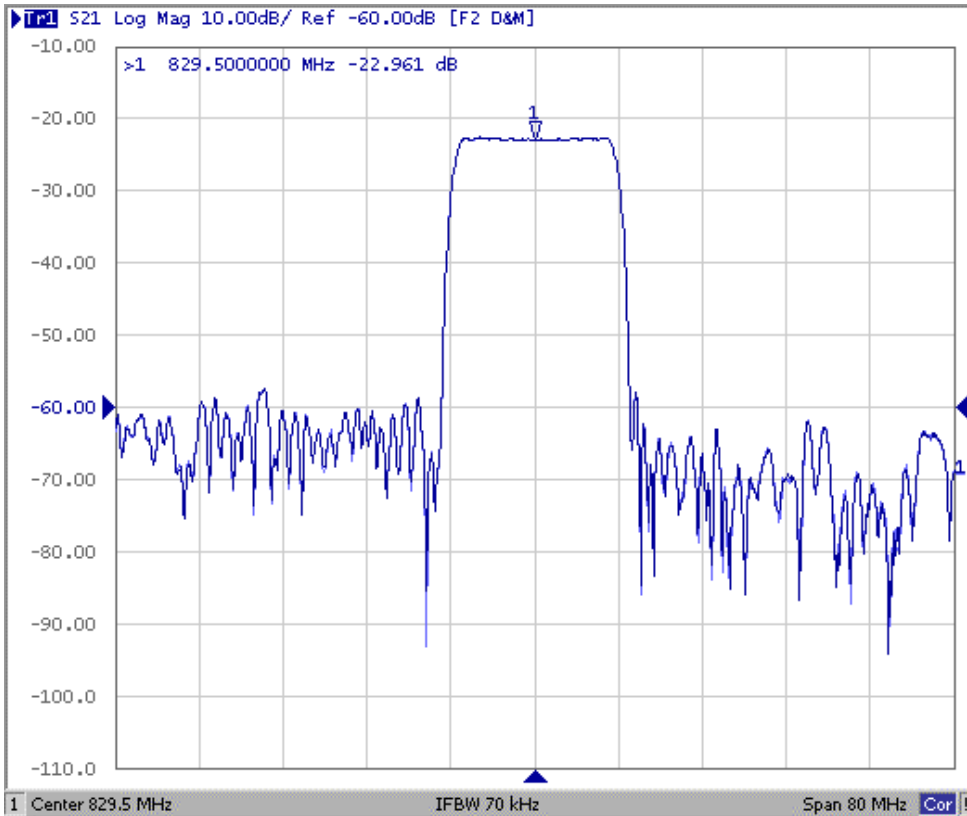


Fig1. Horizontal: 8MHz/Div Vertical: 10dB/Div

2. Group-Delay Ripple: (span : 20MHz)

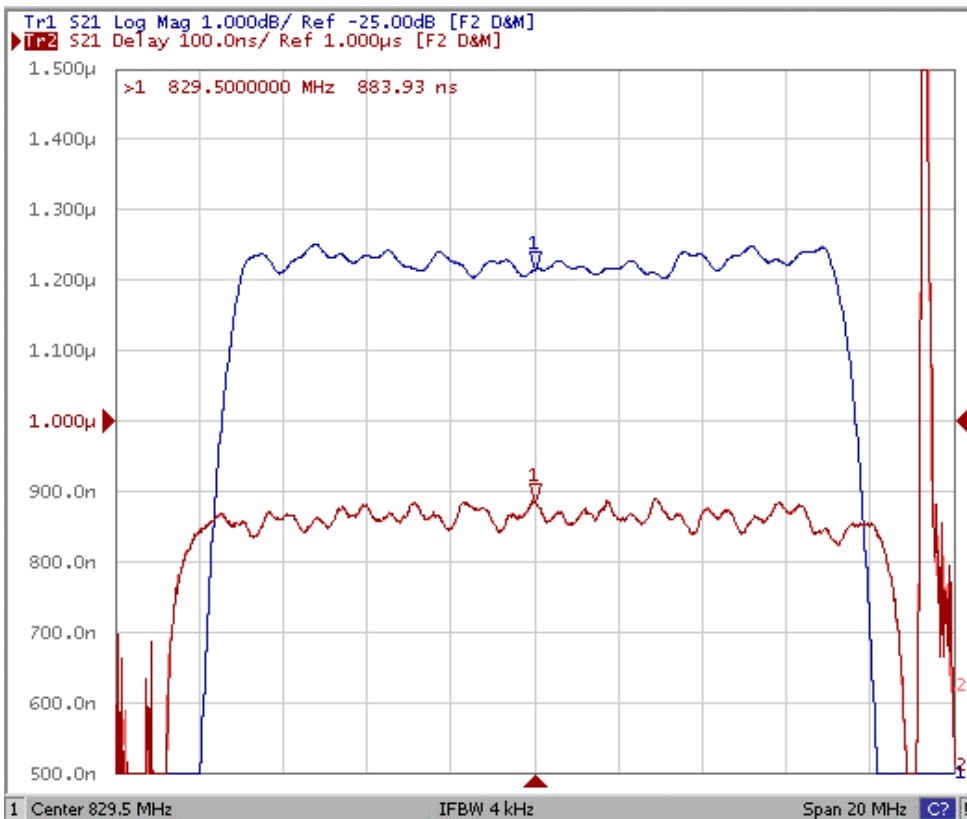
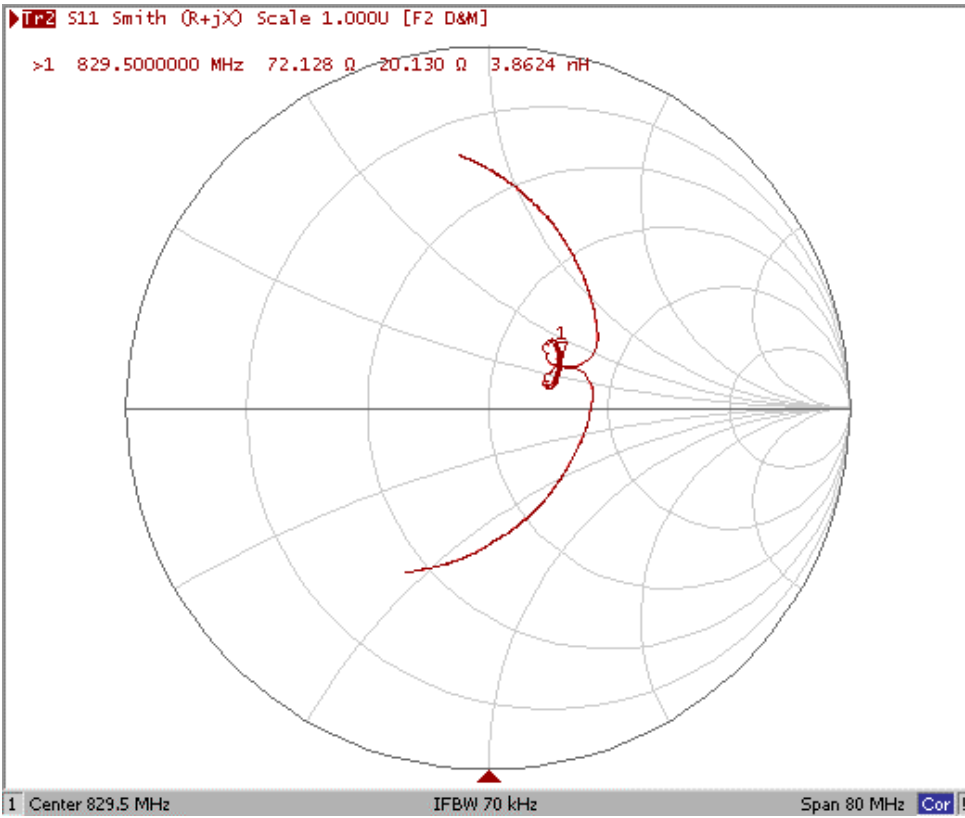
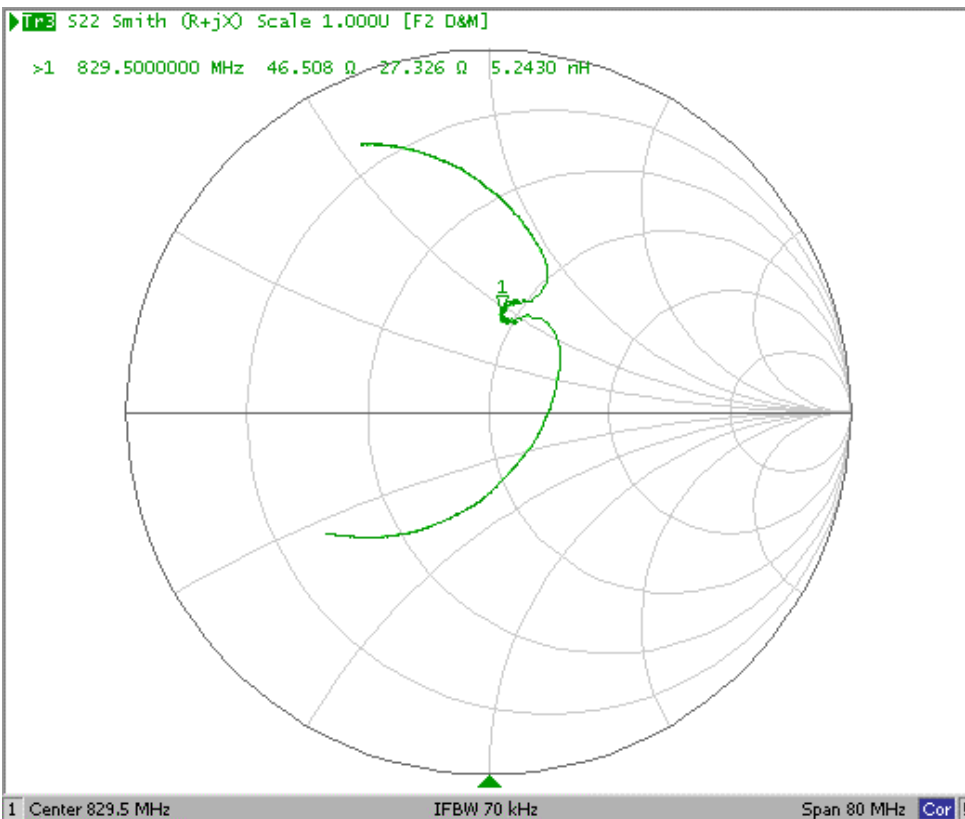


Fig2. Horizontal: 2MHz/Div Vertical: 100nec/Div

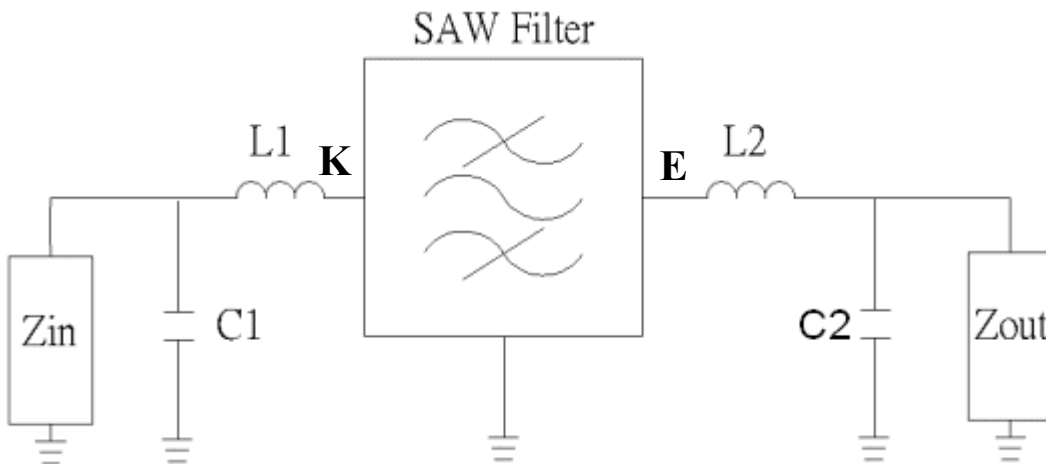
3. S11 Smith Chart: (span : 80MHz)



4. S22 Smith Chart (span : 80MHz)

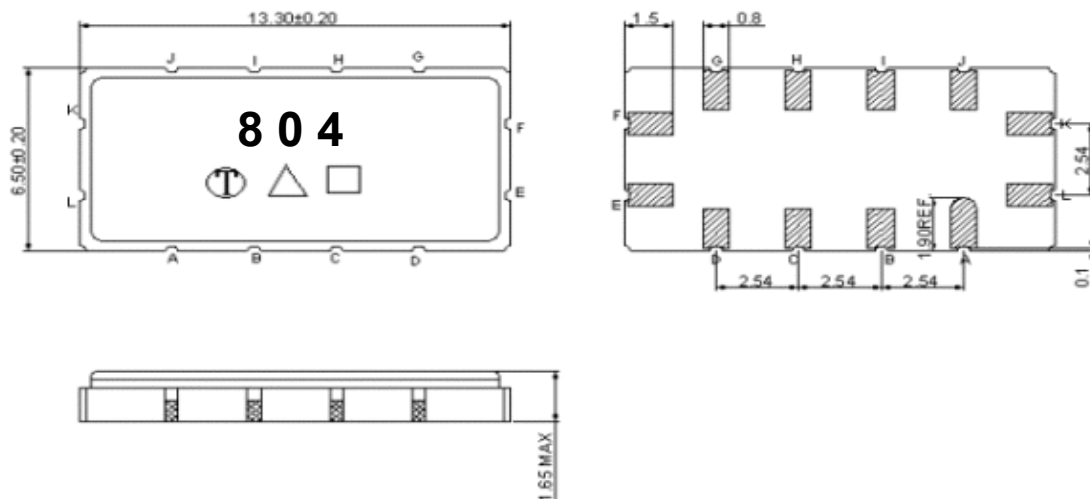


D. Measurement Circuit:



Zin and Zout are 50ohm.
 L1=3nH, C1=10pF, L2=3nH, C2=12pF

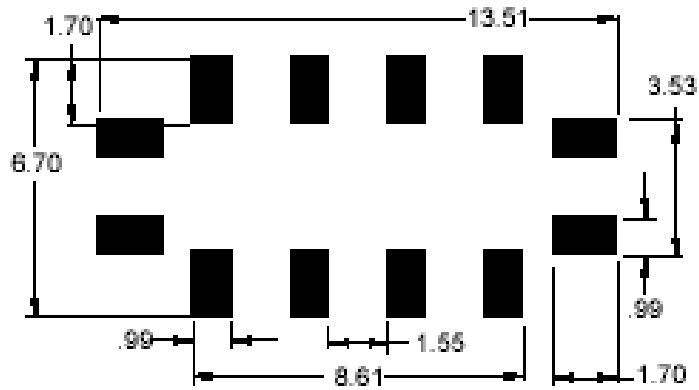
E. Outline Drawing:



- Pin K: RF input
- Pin E: RF output
- Pin A, B, C, D, G, H, I, L, F, J: To be Ground
- : Week Code (Follow the table from planner each year)
- Unit : mm (week01, 02, 03...52 =>A, B, C...z)
- △ : Product / Year Code

Year	2009	2010	2011	2012
Product Code	B	b	<u>B</u>	<u>b</u>

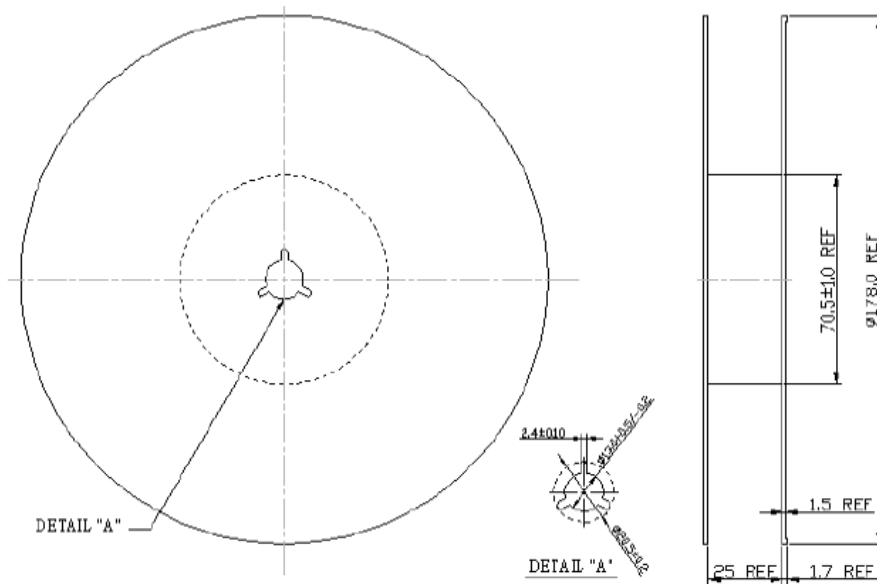
F. PCB Footprint:



Unit: mm

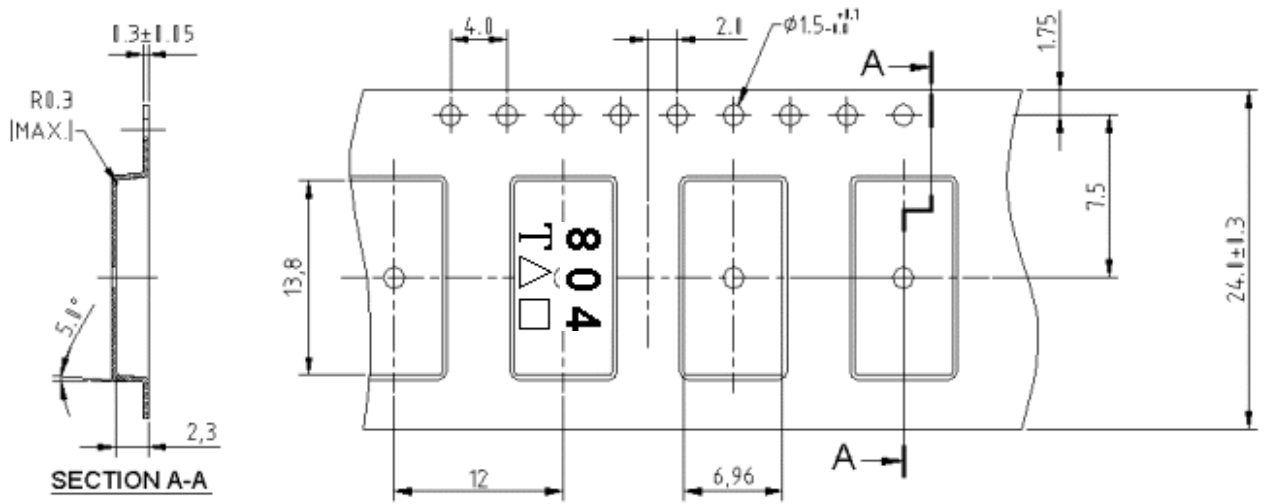
H. PACKING:

1. REEL DIMENSION



Unit: mm

2. TAPE DIMENSION



Unit: mm

I. RECOMMENDED REFLOW PROFILE :

