

The information provided herein is from CONNFLY Electronic Co., Ltd. and is confidential. Any disclosure to a party other than the recipient is prohibited. The intellectual properties and its rights contained herein, including but not limited to, trademarks, patents, copyrights, trade secrets, and technical know-how, are owned exclusively by CONNFLY or its affiliates. Unauthorized use or modification is strictly prohibited. CONNFLY may enforce its intellectual property rights at its own discretion; failures or delays to exercise such rights does not constitute a waiver of such rights.

1 2 3 4 5 6 7 8

REV.	DESCRIPTION	DRAWN	CHECKED	APPROVED
A	NEW RELEASE	JLZ 03/28/17'	HZW 03/28/17'	LJC 03/28/17'
B	DRAWING UPDATE	JLZ 01/16/18'		

NOTES:

1. SPECIFICATIONS

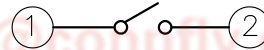
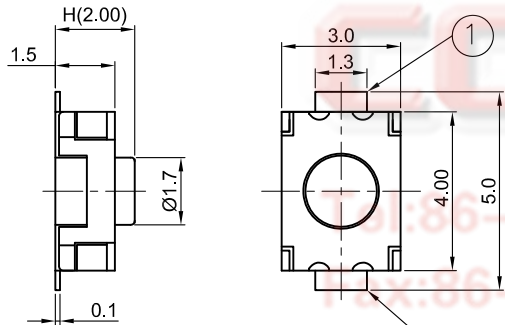
- . Switch Function: Single Pole Single Throw
- . Contact Rating: 50mA at 12Vdc
- . Insulation Resistance:100MΩ min.
- . Contact Resistance:100mΩ max.
- . Operating Life:100,000 cycles
- . Operation Temperature Range: -25°C to +70°C

- . Wave Soldering: Recommended Solder Temperature At 500°f(260°C)max. 5 Seconds,Subject To PCB 1.6mm Thickness.
- . Hand Soldering: Use Soldering Iron Of 30 Watts,Controlled At 608°f(320°C)Approximately 2 Seconds.

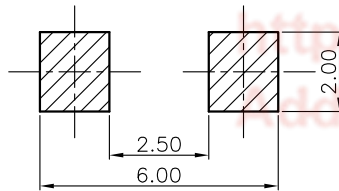
2. PRODUCT NUMBER CODE:

DS1042-08 - X X X X X X X

- Operating Life
10: 100000 cycles
- Operating force
260: 260gf
- Packing type
A: polybag
B: tube
R: tape & reel
- Actuator color
K: Black
- Housing color
K: Black
- Profile Height(DIM. H)
1:2.0mm
- Size
1: 3.0mm*4.0mm



CIRCUIT DIAGRAM



PCB hole layout
Tolerance±0.05

GENERAL TOLERANCE		ANGLE TOLERANCE		PROJECTION		TITLE		TACT SWITCH SMT TYPE	
X.	±0.60	X.	±5°	UNITS	mm			3.0mmX4.0mm	
.X	±0.38	.X	±3°	SHEET SIZE	A4	SERIES	DS1042-08 SERIES		
.XX	±0.25	.XX	±2°	晨翔电子有限公司 CONNFLY CONNFLY ELECTRONIC CO. LTD					
DRAWING TYPE		CUSTOMER							
SCALE		1:1	SHEET 1 OF 1						
DRAWING NO.		C-DS1042-08-XXXXXX-B							

1 2 3 4 5 6 7 8