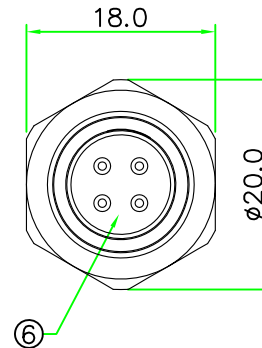
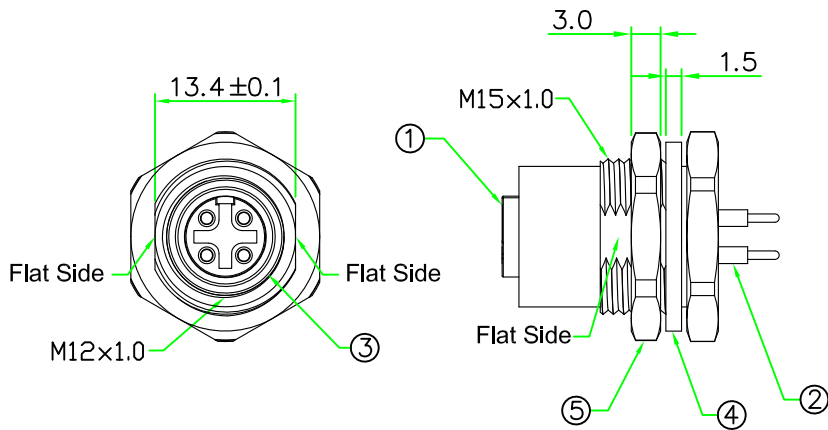
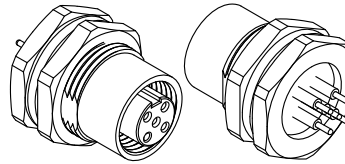
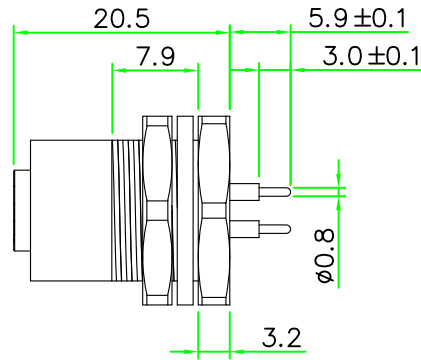


Recommended Panel Cut-Out

RoHS
IP66~68



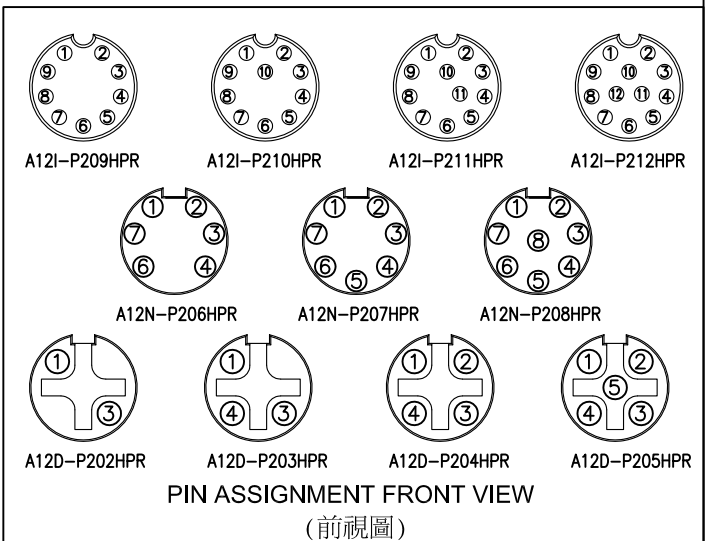
REV.	DESCRIPTION	DATE
A	ISSUE	Mar/30/2015

NOTES:

- ELECTRICAL CHARACTERISTICS:
CURRENT RATING: 1.5A / 2A / 4A
TEMPERATURE RANGE: -20°C TO +80°C
DIELECTRIC WITHSTANDING VOLTAGE:
500V AC FOR ONE MINUTE
- PANEL THICKNESS MAX. 3.0mm
- HOW TO ORDER: A12x-P2xxHPR

- 02 - 2 PIN
- 03 - 3 PIN
- 04 - 4 PIN
- 05 - 5 PIN
- 06 - 6 PIN
- 07 - 7 PIN
- 08 - 8 PIN
- 09 - 9 PIN
- 10 - 10PIN
- 11 - 11PIN
- 12 - 12PIN

- I - CURRENT RATING 1.5A
- N - CURRENT RATING 2A
- D - CURRENT RATING 4A

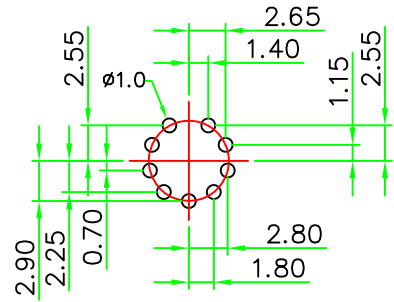


HOLIN® HTP ASIA TECHNOLOGY CO., LTD.
禾凌科技股份有限公司

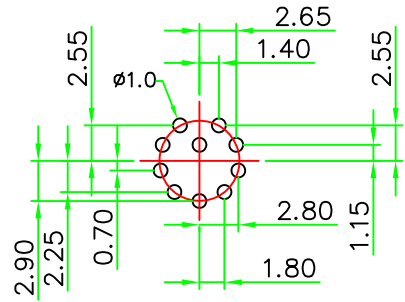
6	GLUE	EPOXY.	BLACK	1	
5	HEX NUT	NYLON+GF.	BLACK	1	
4	GASKET	RUBBER.	BLACK	1	
3	O-RING	VITON.	BLACK	1	
2	CONTACT	BRASS, 6 u" Gold Plated. Female Contact.		N	
1	CONNECTOR	M12 A-Coding Female Connector Insert. NYLON+GF.	BLACK	1	
No.	PART NAME	DESCRIPTION	COLOR	Q'TY	REMARKS

	UNIT: mm	TITLE	M12 A-Coding Female Panel Connector All plastics Rear mount Hex Flange With PCB Pin
	SCALE	1.5:1	
UNLESS OTHERWISE SPECIFIED TOLERANCES: X ±0.5 XX ±0.25 XXX ±0.1 ANGLE ± 1'		P/N:	A12x-P2xxHPR
REV.	A	SHEET	1/2
		DWG.NO:	A12x-P2xxHPR
		DR.	Patty
		CH.	ERIC
		AP.	

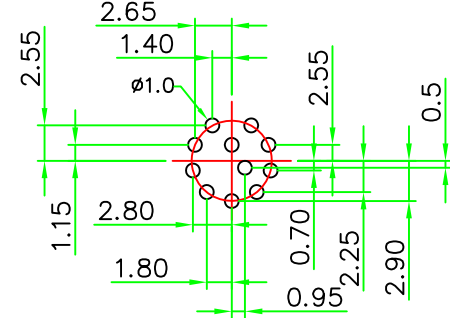
REV.	DESCRIPTION	DATE
A	ISSUE	Mar/30/2015



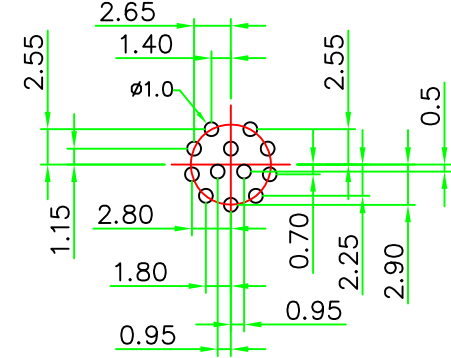
A12I-P209HPR



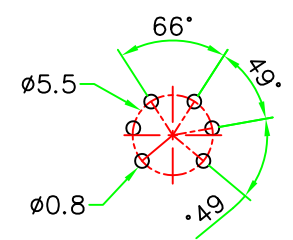
A12I-P210HPR



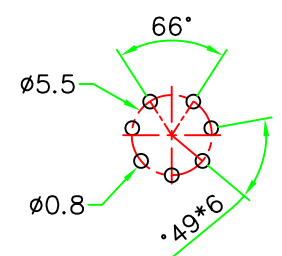
A12I-P211HPR



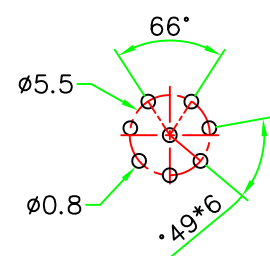
A12I-P212HPR



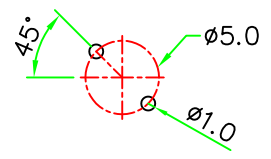
A12N-P206HPR



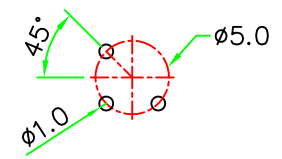
A12N-P207HPR



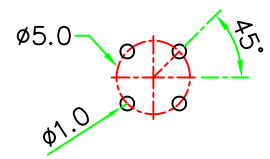
A12N-P208HPR



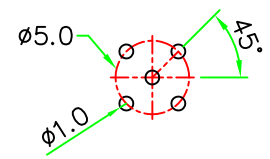
A12D-P202HPR



A12D-P203HPR



A12D-P204HPR



A12D-P205HPR

PCB LAYOUT

HOLIN® HTP ASIA TECHNOLOGY CO., LTD. 禾凌科技股份有限公司			
	UNIT: mm	TITLE : M12 A-Coding Female Panel Connector All plastics Rear mount Hex Flange With PCB Pin	
SCALE	2:1	P/N: A12x-P2xxHPR	DR. Patty CH. ERIC
UNLESS OTHERWISE SPECIFIED TOLERANCES: x ±0.5 xx ±0.25 xxx ±0.1 ANGLE ± 1'			DWG.NO: A12x-P2xxHPR
REV. A	SHEET 2/2		