

RECOMMENDED PCB LAYOUT
AS VIEWED FROM COMPONENT SIDE

Specification 规格:

Electrical 电气规格:

Voltage Rating 电压额定值: 125 V AC (RMS)
 Current Rating 电流额定值: 1.5 Amp
 Contact Resistance 接触电阻值: 35mΩ Max.
 Insulation Resistance 绝缘电阻值: 1000MΩ Min. @ 500 VDC
 Dielectric Strength 电介质强度: 1000 VAC RMS 60Hz, 1 Min.

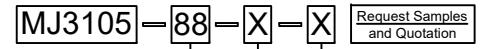
Material 物料规格:

Housing Material 塑胶外壳: High Temp Nylon UL94V-0 or Glass Filled Polyester, Black
 Contact Material 端子材料: Phosphor Bronze 0.35mm Thickness
 Plating 电镀规格: Gold Plating over Nickel
 Operating Life 使用寿命: 750 Cycles Min.
 PCB Retention Force After Solder 焊接后保持力: 10 LBS Min.

Environmental 环境的:

Storage Temperature 储存温度: -40°C to +85°C
 Operation Temperature 使用温度: -40°C to +85°C

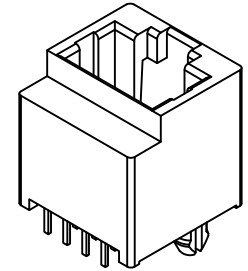
Ordering Grid



No. of Positions/ Positions Loaded
88 = 8/8

Contact Plating
2 = 6μ" Gold (Standard)
4 = 30μ" Gold

Insulator Material
N = High Temp Nylon (Standard)
P = Glass Filled Polyester



Part Number		Product Description	
MJ3106 8 Position		Modular Jack Connector	
Drawing Date		8 Position, Category 3, Vertical, Through Hole	
21st April 2010			
By	PKN	Tolerances (Except as Noted)	Units:
Detail	MJ3106 B PCN	Length	Metric (mm)
Revision	B	X.X ± 0.20	 This drawing is confidential and copyright of Global Connector Technology, Ltd (GCT). This drawing must not be copied or disclosed without written consent. E & OE
Date	15/06/12	X.XX ± 0.15	
		X.XXX ± 0.10	 3rd Angle Projection
		± 5°	

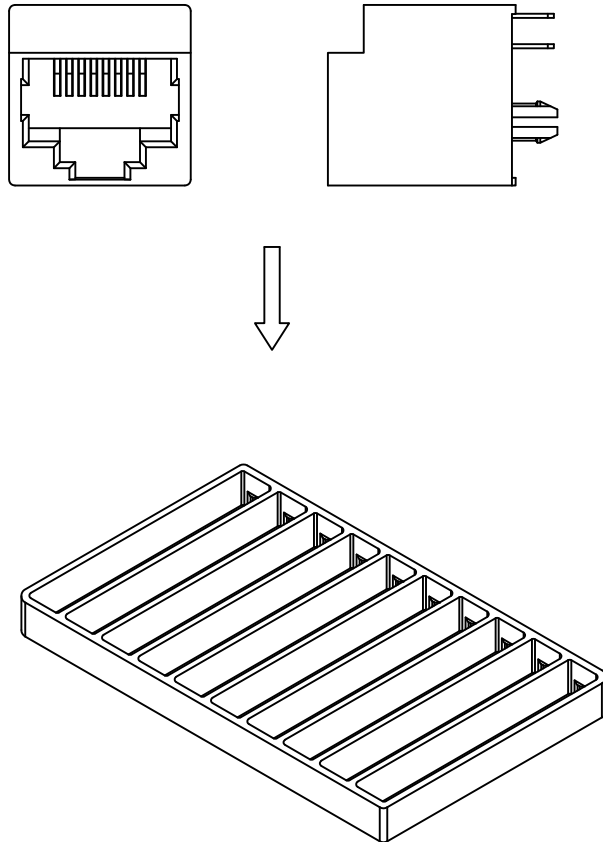


Not to Scale	Drawn By PKN	Sheet No. 1/2
--------------	--------------	---------------

1. Packing Material 包材 - Tray 1 PC

Quantity 數量 - 1*100=100 PCS

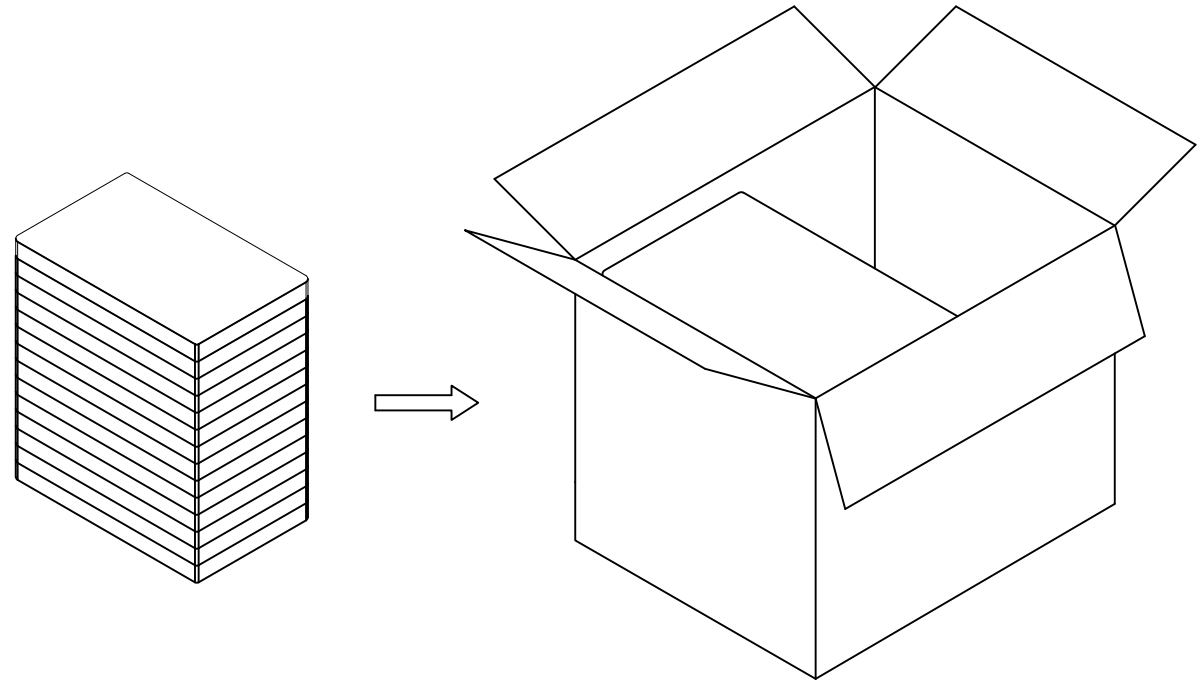
Tray: Body and Cover 真空盒上下蓋各 - 1PC Each
Label 标签 - 1 PC






2. Packing Material 包材 - Carton - 380*315*290 - 1 PC

Quantity 數量 - 100*28=2800 PCS

Part Number 零部件料号	Net Weight 淨重	Gross Weight 毛重	Q'TY 數量
MJ3105-88-X-X	8.98Kg	10.25Kg	2800



Part Number MJ3106 8 Position		Product Description Modular Jack Connector 8 Position, Category 3, Vertical, Through Hole		 www.gct.co
Drawing Date 21st April 2010				
By Detail	PKN MJ3106 B PCN	Tolerances (Except as Noted) Length	Angle	
Revision Date	B 15/06/12			Units: Metric (mm)  3rd Angle Projection  RoHS COMPLIANT 2011/65/EU Deca-SDE ✓
This drawing is confidential and copyright of Global Connector Technology, Ltd (GCT). This drawing must not be copied or disclosed without written consent. E & OE				Not to Scale Drawn By PKN Sheet No. 2/2