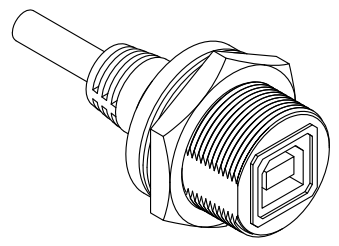
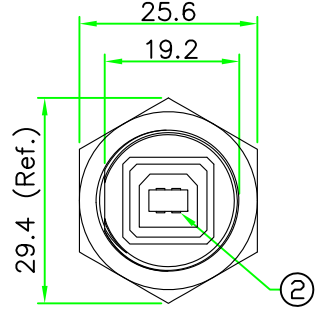
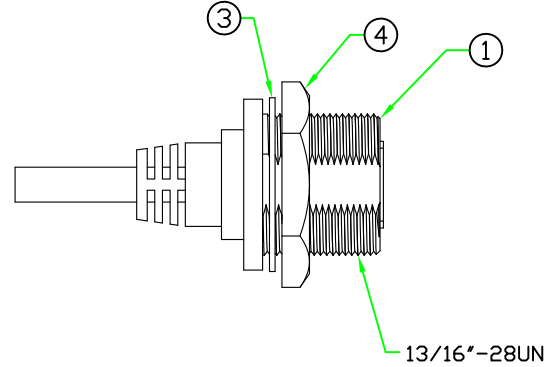
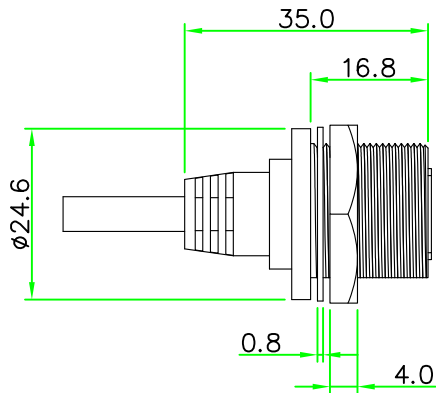


RECOMMENDED  
PANEL CUT OUT

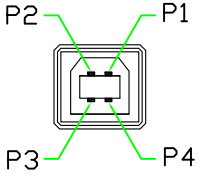
RoHS

IP66~68



NOTES:

1. Current Rating: 1A
2. Connector Temperature Range: -20°C to 80°C
3. Contact Resistance: ≤30mΩ
4. Insulation Resistance: ≥100MΩ
5. Breakdown Voltage: ≥AC 500V/1 Minute
6. With Waterproof Cap Request  
Panel Thickness Max. 5.0



PIN ASSIGNMENT  
FRONT VIEW(前視圖)

Wiring Diagram

- |       |   |              |    |
|-------|---|--------------|----|
| 1     | — | RED(24AWG)   | 紅  |
| 2     | ⊗ | WHITE(28AWG) | 白  |
| 3     | ⊗ | GREEN(28AWG) | 綠  |
| 4     | — | BLACK(24AWG) | 黑  |
| SHELL | — | DRAIN        | 地線 |

No.	PART NAME	DESCRIPTION	COLOR	Q'TY	REMARKS
5	CABLE	UL2725 28AWGx1P+24AWGx2C+DRAIN+AL/MYLAR+BRAID.	BLACK	1	
4	HEX NUT	NYLON+GF.	BLACK	1	
3	GASKET	EPDM.	BLACK	1	
2	CONTACT	USB B Type Female Contact.		1	
1	CONNECTOR	USB B Type Male Connector Insert. NYLON+GF.	BLACK	1	

<b>HOLIN®</b> HTP ASIA TECHNOLOGY CO., LTD. 禾凌科技股份有限公司					
	UNIT: mm	TITLE : USB 2.0 B Type Female C Size Male Connector Female Pin Molded Cable			
SCALE	1:1	P/N: USB2BC-P3CSM-xxM		DR.	Patty
UNLESS OTHERWISE SPECIFIED TOLERANCES: .X ± 0.25 .XX ± 0.1 .XXX ± 0.05 ANGLE ± 1°		DWG.NO: USB2BC-P3CSM-xxM		CH.	ERIC
REV.	SHEET	DWG.NO: USB2BC-P3CSM-xxM		AP.	
A	1/1				