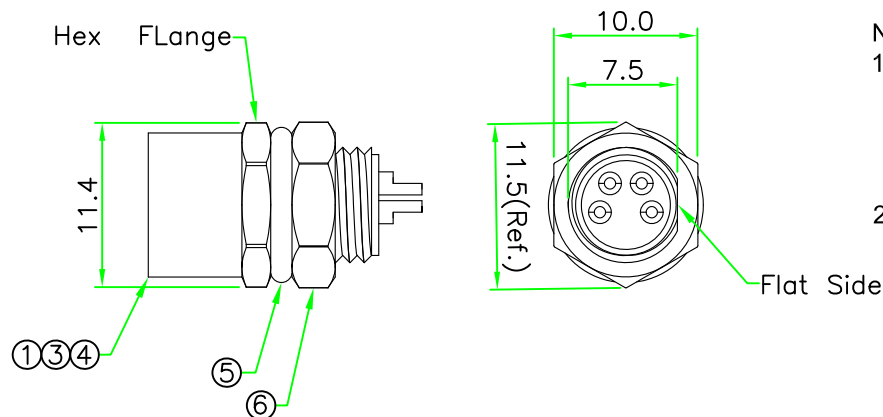
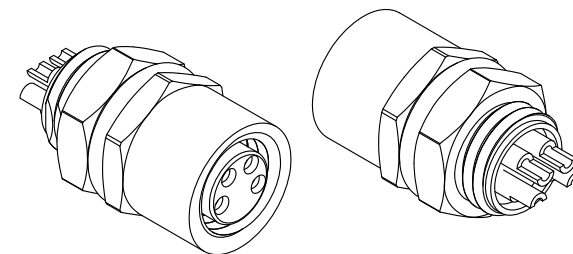
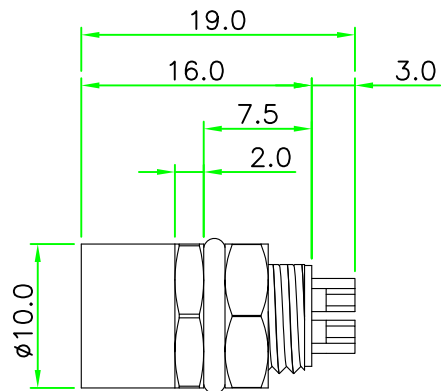


RECOMMENDED
PANEL CUT OUT

RoHS

IP66~68



NOTES:

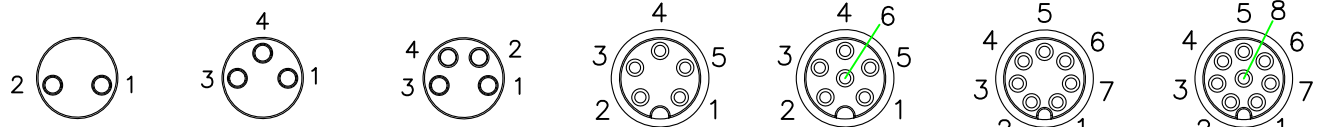
1. ELECTRICAL CHARACTERISTICS:

CURRENT RATING: 1.5A / 3A
TEMPERATURE RANGE: -25°C TO +85°C
DIELECTRIC WITHSTANDING VOLTAGE:
500V AC FOR ONE MINUTE

2. HOW TO ORDER: A08x-M2xxHSF

02 - 2 PINS 06 - 6 PINS
03 - 3 PINS 07 - 7 PINS
04 - 4 PINS 08 - 8 PINS
05 - 5 PINS

I - CURRENT RATING 1.5A
D - CURRENT RATING 3A



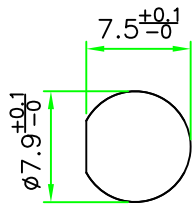
A08D-M202HSF A08D-M203HSF A08D-M204HSF A08I-M205HSF A08I-M206HSF A08I-M207HSF A08I-M208HSF

PIN ASSIGNMENT FRONT VIEW (前視圖)

HOLIN® HTP ASIA TECHNOLOGY CO., LTD.
禾凌科技股份有限公司

6	HEX NUT	Brass, Nickel Plated.		1	
5	O-RING	Silcon.	BLACK	1	
4	O-RING	Viton.	BLACK	1	
3	HOUSING	Brass, Nickel Plated.		1	
2	CONTACT	Brass, 6 u" Gold Plated. Female Contact.		N	
1	CONNECTOR	M8 A-Coding Female Connector Insert. Nylon+GF.	BLACK	1	
No.	PART NAME	DESCRIPTION	COLOR	Q'TY	REMARKS

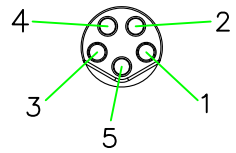
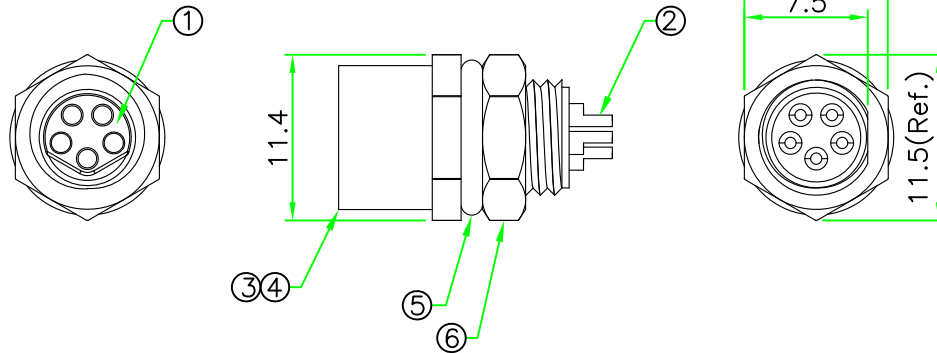
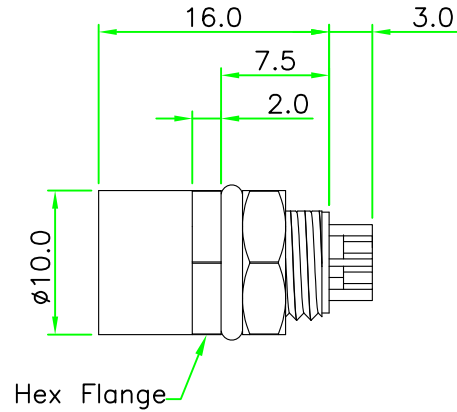
	UNIT: mm	TITLE : M08 A-Coding Female Panel Connector Front mount Hex Flange With Solder Bucket Pin
SCALE	2:1	
UNLESS OTHERWISE SPECIFIED TOLERANCES: x ±0.5 xx ±0.25 xxx ±0.1 ANGLE ± 1'		P/N: A08x-M2xxHSF
REV. A1	SHEET 1/1	DWG.NO: A08x-M2xxHSF
		DR. SIBYL CH. ERIC AP.



RECOMMENDED
PANEL CUT OUT

RoHS

IP66~68



PIN ASSIGNMENT
FRONT VIEW

(前視圖)

REV.	DESCRIPTION	DATE
A	ISSUE	Oct/29/2018

NOTES:

- ELECTRICAL CHARACTERISTICS:
CURRENT RATING: 3A
TEMPERATURE RANGE: -25°C TO +85°C
DIELECTRIC WITHSTANDING VOLTAGE:
500V AC FOR ONE MINUTE

6	HEX NUT	Brass, Nickel Plated.		1	
5	O-RING	Silcon.	BLACK	1	
4	O-RING	Viotn.	BLACK	1	
3	HOUSING	Brass, Nickel Plated.		1	
2	CONTACT	Brass , 6 u" Gold Plated. Female Contact.		5	
1	CONNECTOR	M8 B-Coding Female Connector Insert. Nylon+GF.	BLACK	1	
No.	PART NAME	DESCRIPTION	COLOR	Q'TY	REMARKS

HOLIN® HTP ASIA TECHNOLOGY CO., LTD.
禾凌科技股份有限公司

	UNIT: mm	TITLE : M08 B-Coding Female Panel Connector Front mount Hex Flange With Solder Bucket Pin
SCALE	2:1	
UNLESS OTHERWISE SPECIFIED TOLERANCES: .x ± 0.5 .xx ± 0.25 .xxx ± 0.1 ANGLE ± 1°		P/N: B08D-M205HSF
REV. A	SHEET 1/1	DWG.NO: B08D-M205HSF
		DR. SIBYL CH. ERIC AP.