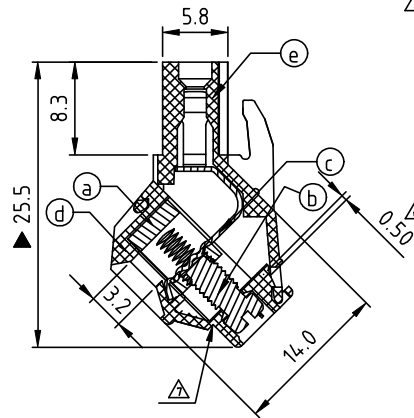
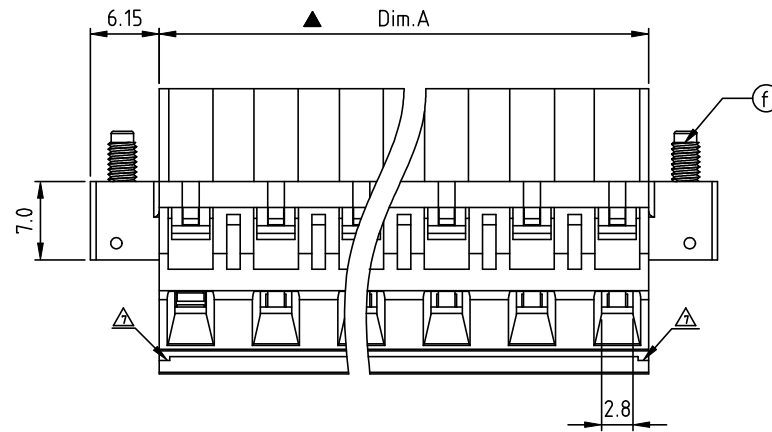
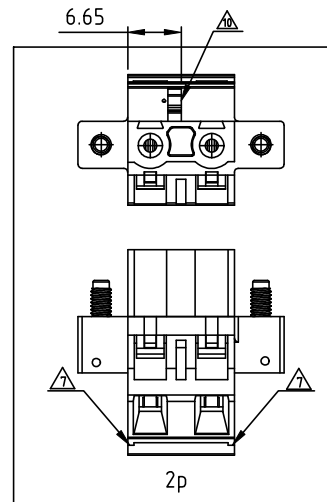
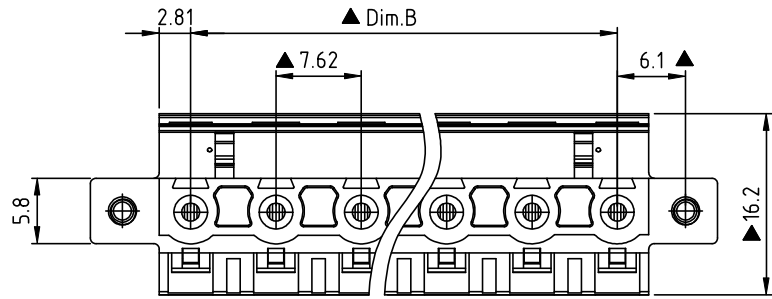


RoHS Compliant



Rev.	SIGN	DATE	DESCRIPTION	APPROVER
C	△	2006.08.04	Current rating is changed from 10A to 20A	Marvin
	△	2006.08.04	Solid wire(AWG) standard is changed from 12-30 to 12-22	Marvin
	△	2006.08.04	Stranded wire(AWG) standard is changed from 12-30 to 12-22	Marvin
	△	2006.08.04	Torque standard is changed from 5 Lb-In to 4 Lb-In	Marvin
D	△	2010.03.31	Add the 2p mark	Jacke
E	△	2010.06.15	The design is changed	Cheng Bo
F	△	2012.11.07	Update the drawing	Jacky
G	△	2018.11.23	Increase RoHS Compliant to replace drawing frame	ZHEN BING
	△	2018.11.23	Increase key dimension representation	ZHEN BING
	△	2018.11.23	Change of hook position	ZHEN BING
	△	2018.11.23	The tolerance is changed, Modify the +/- tolerance	ZHEN BING
	△	2018.11.23	Add material colors white and Green	ZHEN BING
H	△	2019.06.21	The material number was changed from EMx01x0xxxxG to EMx01x2xxxG	Guoxue
	△	2019.06.21	Add the TUV.	Guoxue

THIS IS CAD DRAWING, DO NOT REVISE MANUALLY!!!

Material

- Item (a) Clamp: Brass(CuZn) Ni plated
- Item (b) Terminal screw: Steel Zinc plating "-" slot type
- Item (c) Female contact: PhBz, Tin plated
- Item (d) Terminal (up body): Thermoplastic (UL94V-0)
- Item (e) Terminal (down body): Thermoplastic (UL94V-0)
- Item (f) Flange screw: Steel Zinc plating "+/-" slot type

Electrical cULus / TUV

- Voltage rating: 300VAC / 750VAC
- △ ● Current rating: 20A / 20A
- Wire range: 0.34-2.5mm²
- △ ● Solid wire(AWG): 12-22
- △ ● Stranded wire(AWG): 12-22
- △ ● Torque: 4 Lb-In / 0.45N.m
- Screw: M3
- Wire strip length: 7-8mm
- Withstanding Voltage: 1.6KV
- Impulse Voltage (II/2) : 6.0KV
- △ ● Operating temperature: -40°C to +115°C
- Safety Approval:
- Critical dimension:

△ EM xx 01 x 2 xxxx G

- 02 2 POLES
- 03 3 POLES
-
- 16 16 POLES

- 0 Black (RAL9005)
- 2 Red (RAL3001/D)
- 3 Orange(RAL2011/P)
- 4 Yellow(RAL1018/A)
- 5 Green(RAL6018/T)
- 6 Blue (RAL5015/A)
- 8 Grey(RAL7035/D)
- △ 9 White
- △ C Green(RAL6018/U)

0000: "@" Logo
 000A: "ANYTEK" Mark
 Any special item by customer request, please contact sales department.

RoHS compliant (lead<4%) copper Alloy

Dim.A=(N-1)×7.62+5.6

Dim.B=(N-1)×7.62

N=NUMBER OF CONTACTS △

POLES	TOL Dim.A/B
2p-6p	±0.20
7p-12p	±0.30
13p-16p	±0.40

Amphenol ANYTEK

CUSTOMER COPY

ALL RIGHTS RESERVED. REPRODUCTION OR ISSUE TO THIRD PARTIES IN ANY FORM WHATSOEVER IS NOT PERMITTED WITHOUT WRITTEN AUTHORITY FROM THE PROPRIETOR. PROPERTY OF ANYTEK TECHNOLOGY CO., LTD

TITLE				EM-7.62 Series With flange			
PART NO.		EMxx01x2xxxxG		DWG NO.		8EM0102	
APPROVED		CHECKED	DESIGNED	DRAWN	CUST NO.		Tolerance
			Guoxue 2019.06.21	Guoxue 2019.06.21			X. ±0.50 X.X ±0.30 X.XX ±0.10 X* ±1*
		SHEET: 01/01		REV.: H			