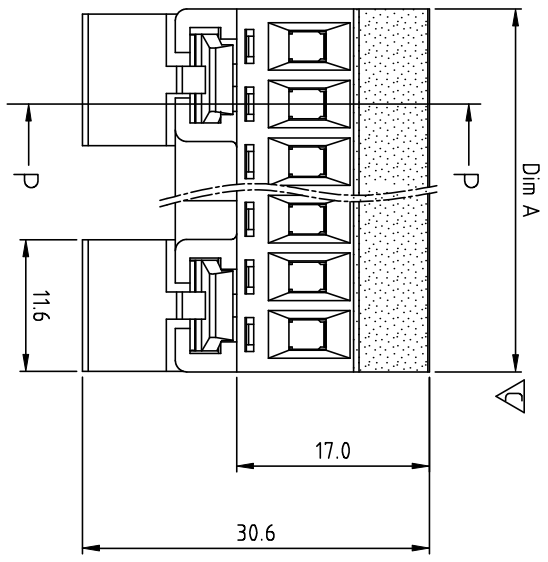


3P-24P卡勾位置示意图



# V9 XX 5 1 X 2 XXXX G

No. OF POLES  
02: 2 POLES  
03: 3 POLES

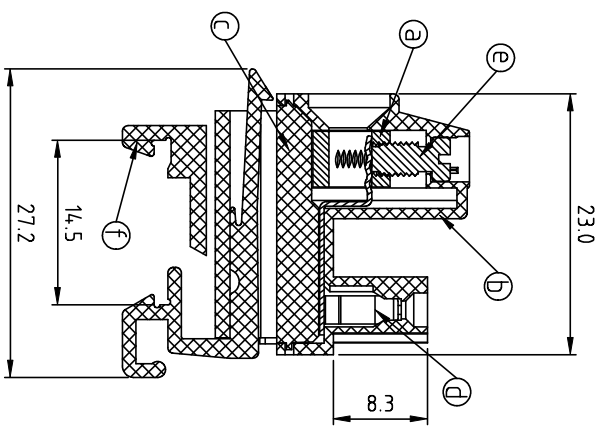
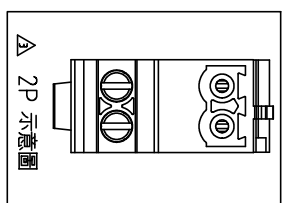
24: 24 POLES

### COLOR

- 0 Black (RAL 9005)
- 2 Red (RAL 3001/D)
- 3 Orange(RAL 2011/P)
- 4 Yellow(RAL 1018/A)
- 5 Green(RAL 6018/T)
- 6 Blue (RAL 5015/A)
- 8 Grey(RAL 7035/D)
- 9 White(RAL 1102)
- C Green(RAL 6018/U)

RoHS compliant  
(lead<4%)  
In copper Alloy

0000: "@" Logo (Standard)  
000A: "ANYTEK" Mark  
Any special item by customer request.



SECTION P-P

| SIGN | DATE     | DESCRIPTION                          | APPROVER |
|------|----------|--------------------------------------|----------|
| △    | 11/09'11 | Add is cillus                        | Aaron    |
| △    | 11/09'11 | The Dim C is added                   | Aaron    |
| △    | 01/21-16 | Update the drawing & Add the 2P view | Evan     |

THIS IS CAD DRAWING, DO NOT REVISE MANUALLY!!!!

### Material:

- Item ⊕ Clamp: Brass Ni plated
- Item ⊕ Terminal (housing): Thermoplastic (UL 94V-0)
- Item ⊕ Terminal (Cover): Thermoplastic (UL 94V-0)
- Item ⊕ Male contact: PhBz, Bright Tin plated over Nickel plated
- Item ⊕ Terminal screw: Steel Zinc plating "-" slot type
- Item ⊕ Terminal(track): Thermoplastic (UL 94V-0)

### Electrical:

- Voltage rating:300V
- Current rating: 12A
- Wire range:
- Solid wire(AWG):12-30
- Stranded wire(AWG):12-30
- Torque:5.2lb-in.
- Screw:M3
- Wire strip length: 6-7 mm
- Withstanding Voltage: 1.6KV
- Operating temperature:-40°C to +115°C
- Safety Approval: **UL**
- Critical dimension: **▽**

### Dimension

|        |                  |
|--------|------------------|
| Dim. A | (N-1) × 5.08+6.6 |
| Dim. B | (N-1) × 5.08     |
| Dim. C | N × 5.08         |

N=Number of poles

| Poles     | Tolerance |
|-----------|-----------|
| 2P - 6P   | ±0.15     |
| 7P - 12P  | ±0.20     |
| 13P - 18P | ±0.30     |
| 19P - 24P | ±0.40     |

# ANYTEK

## CUSTOMER COPY

ALL RIGHTS RESERVED. REPRODUCTION OR ISSUE TO THIRD PARTIES IN ANY FORM WHATSOEVER IS NOT PERMITTED WITHOUT WRITTEN AUTHORITY FROM THE PROPRIETOR. PROPERTY OF ANYTEK TECHNOLOGY CO., LTD.

|          |               |  |             |
|----------|---------------|--|-------------|
| TITLE    |               | V9-5.08 mm Series 2P-24P W/O Flange (Dinrail holder A type ) |             |
| PART NO. | V9xx51x2xxxxG | DWG NO.  | 8V90004     |
| APPROVED | CHECKED       | DESIGNED   | DRAWN       |
|          | Evan          | 02/15-16   | Tony        |
|          |               | 2008.01.19   |             |
|          |               | SHEET: 01/01   | REV.: D     |
|          |               |  | UNIT: mm    |
|          |               |  | SCALE: NONE |
|          |               |  | REV.: D     |
|          |               |  | Tolerance   |
|          |               |  | X.X ±0.50   |
|          |               |  | X.X ±0.30   |
|          |               |  | X.XX ±0.10  |
|          |               |  | X° ±1°      |