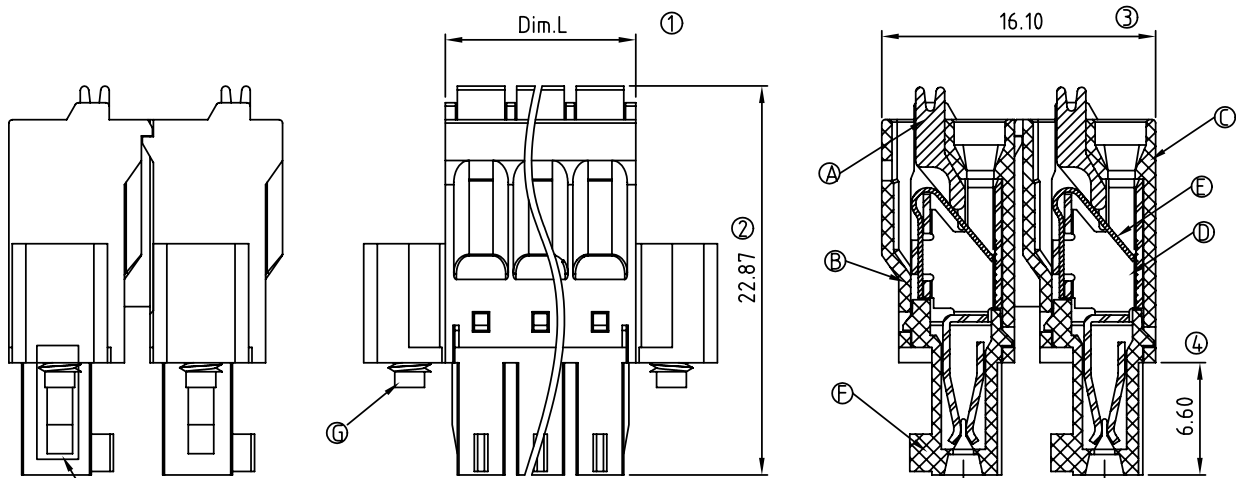
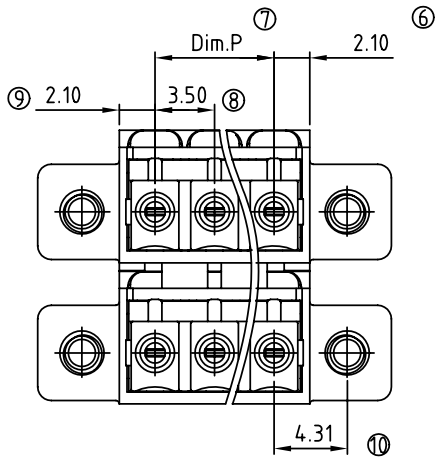


SIGN	DATE	DESCRIPTION	APPROVER
△			
THIS IS CAD DRAWING, DO NOT REVISE MANUALLY!!!			



2P ~ 6P Ribs on both sides  
7P ~ 24P No rib



- Material:
- Item A Terminal lever: Thermoplastic (UL94V-0)
  - Item B Terminal top housing: Thermoplastic (UL94V-0)
  - Item C Terminal back housing: Thermoplastic (UL94V-0)
  - Item D Female contact : PhBz Tin Plated.
  - Item E Spring clamp : Stainless steel
  - Item F Terminal down housing: Thermoplastic (UL94V-0)
  - Item G With flange screw: Steel Zinc plating M2.5"/+/-" slot type

- Electrical: cULus
- Voltage rating: 160 V
  - Current rating: 5.5 A
  - Wire range:
  - Solid wire(AWG): 16-24
  - Stranded wire(AWG): 16-24
  - Wire strip length: 9-10 mm
  - Withstanding Voltage: 1.32 KV
  - Operating temperature: -40°C to +115°C
  - APPROVAL:

**KD xx 1 0 x 1 Axxx G**

No. OF POLES  
 04: 2x2 POLES  
 06: 2x3 POLES  
 :  
 48: 2x24 POLES

COLOR  
 0: BLACK  
 5: GREEN (RAL 6018/T)  
 6: BLUE  
 8: GREY (RAL 7035/D)

G: Pb<40000ppm  
 A000: "@" Logo (Standard)  
 A00A: "ANYTEK" Mark  
 Any special item by customer request.  
 please contact sales department.

POLE	2	3	4	5	6	7	8	9	10	11	12	
Dim.L	7.70	11.20	14.70	18.20	21.70	25.20	28.70	32.20	35.70	39.20	42.70	
Dim.P	3.50	7.00	10.50	14.00	17.50	21.00	24.50	28.00	31.50	35.00	38.50	
Tol.	±0.15						±0.25					
POLE	13	14	15	16	17	18	19	20	21	22	23	24
Dim.L	46.20	49.70	53.20	56.70	60.20	63.70	67.20	70.70	74.20	77.70	81.20	84.70
Dim.P	42.00	45.50	49.00	52.50	56.00	59.50	63.00	66.50	70.00	73.50	77.00	80.50
Tol.	±0.30						±0.40					

ANYTEK

**CUSTOMER COPY**  
ALL RIGHTS RESERVED. REPRODUCTION OR ISSUE TO THIRD PARTIES IN ANY FORM WHATSOEVER IS NOT PERMITTED WITHOUT WRITTEN AUTHORITY FROM THE PROPRIETOR. PROPERTY OF ANYTEK TECHNOLOGY CO., LTD

TITLE		KD 3.5mm W/ Flange Body (Double level) Series											
PART NO.		KDxx10x1AxxxG					DWG NO.		8KD04.02				
APPROVED	CHECKED	DESIGNED	DRAWN	CUST NO.									
		Runner 2010.05.17	Runner 2010.05.17										
				SHEET: 01/01		UNIT: mm		Tolerance					
				REV.: B		SCALE: NONE		X. ±0.50		X.X ±0.30			
								X.XX ±0.10		X° ±1°			