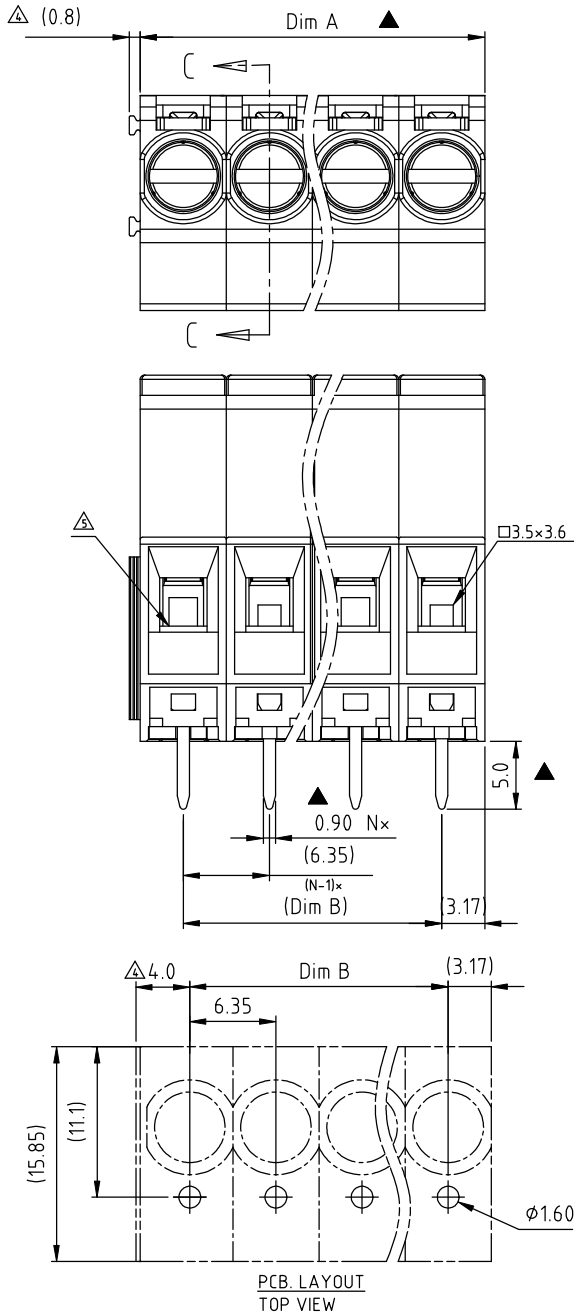
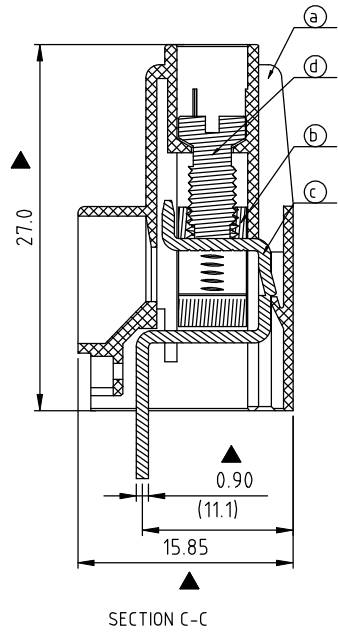


RoHS Compliant



N = Number of poles
 Dim A = Nx6.35
 Dim B = (N-1)x6.35

Poles	Dim A
1-6p	± 0.20
7-12p	± 0.30
13-16p	± 0.40



Rev.	SIGN	DATE	DESCRIPTION	APPROVER
C	△	09/14/09	Wire guard solder pin is changed from Brass to Copper	Aaron
D	△	10/20/09	Part NO. is changed	Aaron
E	△	2010.05.31	Torque is changed from 8.9Lb-in to 5.2Lb-in	Chen Bo
	△	2010.05.31	The design is changed	Chen Bo
F	△	2010.08.11	Clamp is changed	Chen Bo
G	△	2011.03.01	Add is cULus and Torque is changed	Juany
H	△	05/28/19	Add the RoHS Compliant and the Amphenol logo.	Guoxue
	△	05/28/19	Add the "Wave soldering temperature: 260°C±5°C/5 Sec	Guoxue
	△	05/28/19	Add the RoHS compliant(lead<4%)&Color code	Guoxue
	△	05/28/19	Add the TUV.	Guoxue
	△	05/28/19	Delete the Dim.B tolerance.	Guoxue

THIS IS CAD DRAWING, DO NOT REVISE MANUALLY!!!

- Material:
- Item (a) Terminal housing: Thermoplastic (UL 94V-0)
 - Item (b) Clamp: Brass Ni plated
 - Item (c) Wire guard solder pin (Front single row): Copper Tin plated
 - Item (d) Terminal screw: Steel Zinc plating"-slot type

△ Electrical cULus / TUV

- Voltage rating: 300VAC / 300V
- Current rating: 30A / 41A
- Wire range: 0.2-6.0mm²
- Solid wire(AWG): 10-24
- Stranded wire(AWG): 10-24
- Torque : 5.3 Lb-In / 0.6N.m
- Screw: M3.5
- Wire strip length: 8-9mm / 8-9mm
- Withstanding Voltage: 1.6KV / 2.5KV
- Operating temperature: -40°C to +115°C
- Wave soldering temperature: 260°C±5°C/5 Sec

△ Safety Approval: cULus △

- Critical dimension: △
- Reference dimension: (×) The dimensions of pitch are just for reference, take the actual assembly result as a judgment when inserting the terminal block into the PCB hole.

△ KP xx 0 1 x 2 xxxx G
 △ G:RoHS compliant(lead-4%) in copper alloy

No. of poles end stackable design	Color	Logo
01 1 POLES	0 Black (RAL9005)	0000 Standard @ Logo
02 2 POLES	2 Red (RAL3001/D)	000A Standard ANY Logo
...	3 Orange(RAL2011/P)	Any special item by customer request, please contact sales department.
...	4 Yellow(RAL1018/A)	
...	5 Green(RAL6018/T)	
16 16 POLES	6 Blue (RAL5015/A)	
	8 Grey(RAL7035/D)	
	C Green(RAL6018/U)	

Amphenol

ANYTEK

CUSTOMER COPY

ALL RIGHTS RESERVED. REPRODUCTION OR ISSUE TO THIRD PARTIES IN ANY FORM WHATSOEVER IS NOT PERMITTED WITHOUT WRITTEN AUTHORITY FROM THE PROPRIETOR. PROPERTY OF ANYTEK TECHNOLOGY CO., LTD

TITLE		KP 6.35 Series front single row (without cover)		
PART NO.	KPxx01x2xxxxG △	DWG NO.	8KP0006	
APPROVED	CHECKED	DESIGNED	DRAWN	CUST NO.
		Guoxue 2019.05.28	Guoxue 2019.05.28	
				Tolerance X. ±0.50 X.X ±0.30 X.XX ±0.10 X° ±1°
		SHEET: 01/01		UNIT: mm SCALE: NONE REV.: H