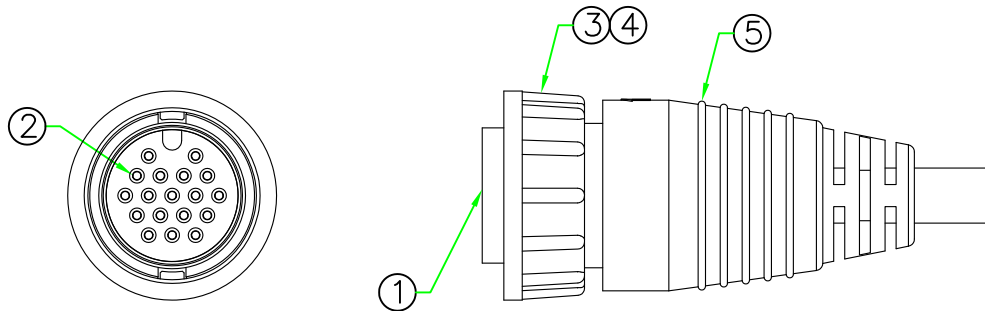
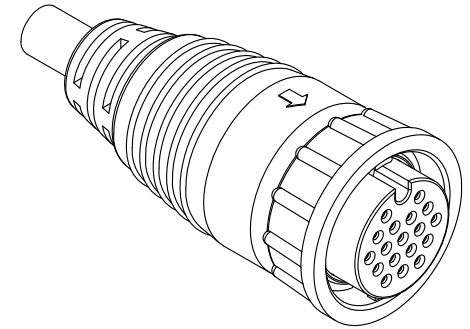
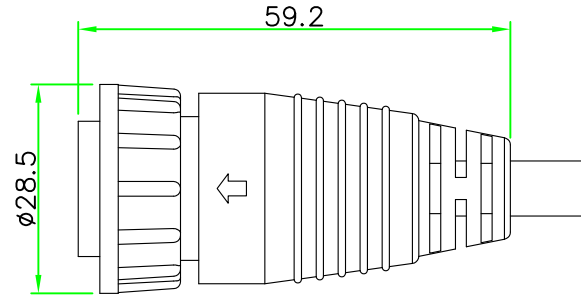


RoHS

IP66~68

REV.	DESCRIPTION	DATE
A	ISSUE	Oct/08/2014



NOTES:

1. ELECTRICAL CHARACTERISTICS:

CURRENT RATING: 5A / 20A

CONNECTOR TEMPERATURE RANGE: -20°C TO +80°C

DIELECTRIC WITHSTANDING VOLTAGE:

500V AC FOR ONE MINUTE

2. HOW TO ORDER: CD_x-L2_{xx}SM

02 - 2 PIN 18 - 18 PIN

03 - 3 PIN

04 - 4 PIN

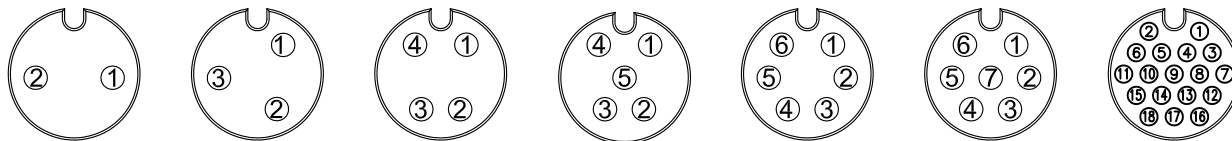
05 - 5 PIN

06 - 6 PIN

07 - 7 PIN

G - CURRENT RATING 20A

D - CURRENT RATING 5A



CDG-L202SM CDG-L203SM CDG-L204SM CDG-L205SM CDG-L206SM CDG-L207SM CDD-L218SM

PIN ASSIGNMENT FRONT VIEW
(前視圖)

5	OVERMOLD	PVC or PU.	BLACK	1	
4	LOCK NUT	NYLON+GF.	BLACK	1	
3	O-RING	EPDM.	BLACK	1	
2	CONTACT	Brass , 6u" Gold Plated. Female Contact.		18	
1	CONNECTOR	D Size Female Connector Insert, NYLON+GF.	BLACK	1	
No.	PART NAME	DESCRIPTION	COLOR	Q'TY	REMARKS

HOLIN® HTP ASIA TECHNOLOGY CO., LTD. 禾凌科技股份有限公司		TITLE : Circular D Size Lock Type Female Connector Female Pin Molded Cable	
UNIT: mm	SCALE	P/N:	DR. Patty
1:1	UNLESS OTHERWISE SPECIFIED TOLERANCES:	CD _x -L2 _{xx} SM	CH. ERIC
.x ± 0.25 .xx ± 0.1	.xxx ± 0.05 ANGLE ± 1°	DWG.NO:	AP.
REV. A	SHEET 1/1	CD _x -L2 _{xx} SM	