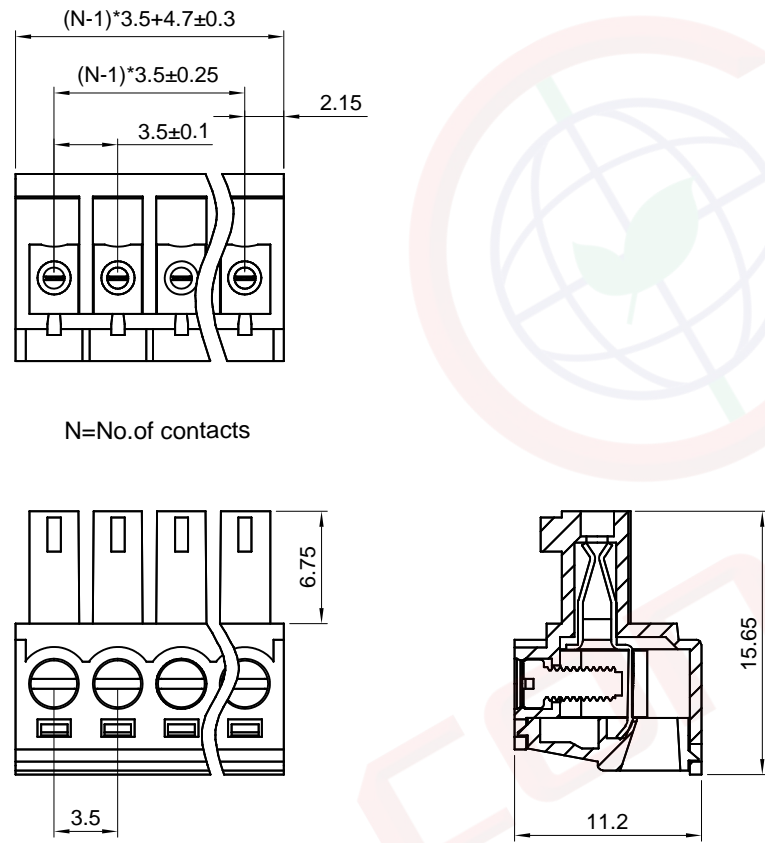


Dept	
Qty	
DC	1
ED	1
IE	1
ISO	1
PD	1
R&D	1
SD	1
QA	1
QC	1
QE	1

The information provided herein is from CONNELY Electronic Co., Ltd. and is confidential. Any disclosure to a party other than the recipient is prohibited. The intellectual properties and its rights contained herein, including but not limited to, trademarks, patents, copyrights, trade secrets, and technical know-how, are owned exclusively by CONNELY or its affiliates. Unauthorized use or reproduction of any part of this document is strictly prohibited. CONNELY may enforce its intellectual property rights at its own discretion, failures or delays to exercise such rights does not constitute a waiver of such rights.

REV.	DESCRIPTION	DRAWN	CHECKED	APPROVED
A	NEW RELEASE	JLZ 06/28/22'		

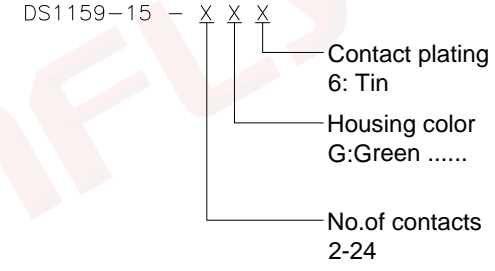


N=No.of contacts



(Series Image-Reference Only)

NOTES:
 Standard UL
 Rated voltage:300V
 Rated current:8A
 Wrth standing voltage:AC 1000V/1 Min
 Wire range:28~16AWG
 Temp.Range:-40°C~+105°C
 Pitch:3.50mm
 Poles:2~24P
 Materials:
 Contact: Copper Alloy,Tin plated.
 Insulator: Nylon.
 Wire guard:Copper Alloy,Nickel Plated.
 Screw:M2,Steel,Zinc Plated.
 Product Number Code:



GENERAL TOLERANCE		ANGLE TOLERANCE	
X.	±0.60	X.	±5°
.X	±0.38	.X	±3°
.XX	±0.25	.XX	±2°
DRAWING TYPE		CUSTOMER	
SCALE	1:1	SHEET	1 OF 1
DRAWING NO.	C-DS1159-15-XXX-A		

PROJECTION	TITLE
	3.50mm Pluggable Terminal Blocks Plug Type
UNITS	mm
SHEET SIZE	A4
SERIES	DS1159-15 SERIES

晨翔电子有限公司
 CONNELY ELECTRONIC CO. LTD