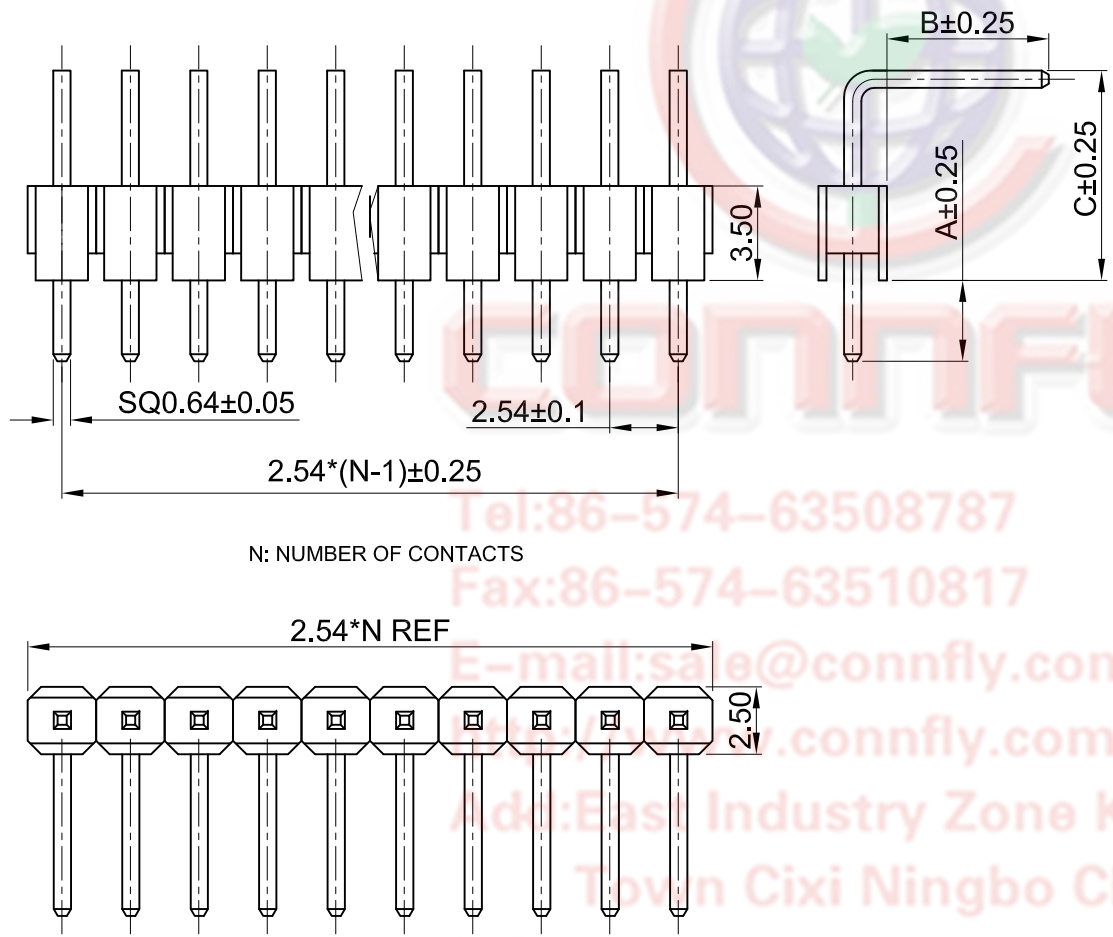


|      |   |   |   |   |   |   |   |   |
|------|---|---|---|---|---|---|---|---|
| Dept | 1 | 2 | 3 | 4 | 5 | 6 | 7 | 8 |
| Qty  |   |   |   |   |   |   |   |   |
| DC   | 1 |   |   |   |   |   |   |   |
| ED   | 1 |   |   |   |   |   |   |   |
| IE   | 1 |   |   |   |   |   |   |   |
| ISO  | 1 |   |   |   |   |   |   |   |
| PD   | 1 |   |   |   |   |   |   |   |
| R&D  | 1 |   |   |   |   |   |   |   |
| SD   | 1 |   |   |   |   |   |   |   |
| QA   | 1 |   |   |   |   |   |   |   |
| QC   | 1 |   |   |   |   |   |   |   |
| QE   | 1 |   |   |   |   |   |   |   |

# U TYPE

| REV. | DESCRIPTION | DRAWN         | CHECKED | APPROVED |
|------|-------------|---------------|---------|----------|
| A    | NEW RELEASE | JLZ 12/24/18' |         |          |
|      |             |               |         |          |
|      |             |               |         |          |

The information provided herein is from CONNELY Electronic Co., Ltd. and is confidential. Any disclosure to a party other than the recipient is prohibited. The intellectual properties and its rights contained herein, including but not limited to, trademarks, patents, copyrights, trade secrets, and technical know-how, are owned exclusively by CONNELY or its affiliates. Unauthorized use of this information in any format or manner. CONNELY may enforce its intellectual property rights at its own discretion; failures or delays to exercise such rights does not constitute a waiver of such rights.



N: NUMBER OF CONTACTS

RECOMMEND P.C.BOARD LAYOUT

**NOTES:**

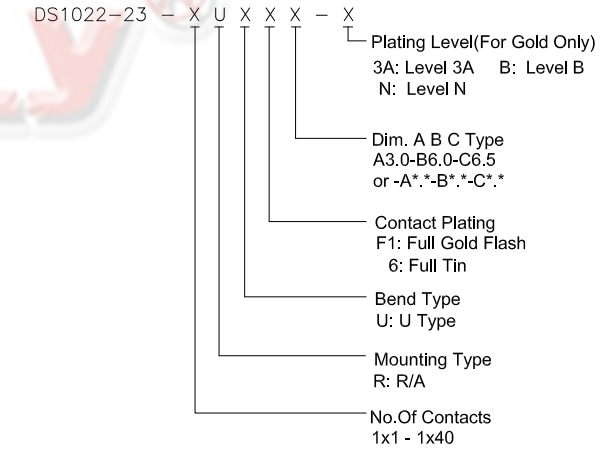
**SPECIFICATIONS:**

- CONTACT RESISTANCE: 20mΩ MAX.
- INSULATION RESISTANCE: 1000MΩ MIN.
- DIELECTRIC WITHSTANDING VOLTAGE: 600V AC(RMS) FOR 1 MINUTE.
- CURRENT RATING:3A.
- VOLTAGE RATING:250V AC RMS.
- TEMPERATURE: -40°C~+105°C.

**MATERIALS:**

- CONTACT MATERIAL: COPPER ALLOY.
- CONTACT PLATING: GOLD PLATING OVER NICKEL.
- INSULATOR MATERIALS: PBT, BLACK, UL94-V0.

**PRODUCT NUMBER CODE:**



|                   |                         |                 |        |
|-------------------|-------------------------|-----------------|--------|
| GENERAL TOLERANCE |                         | ANGLE TOLERANCE |        |
| X.                | ±0.60                   | X.              | ±5°    |
| .X                | ±0.38                   | .X              | ±3°    |
| .XX               | ±0.25                   | .XX             | ±2°    |
| DRAWING TYPE      |                         | CUSTOMER        |        |
| SCALE             | 1:1                     | SHEET           | 1 OF 3 |
| DRAWING NO.       | C-DS1022-27-1xXXUXX-X-A |                 |        |

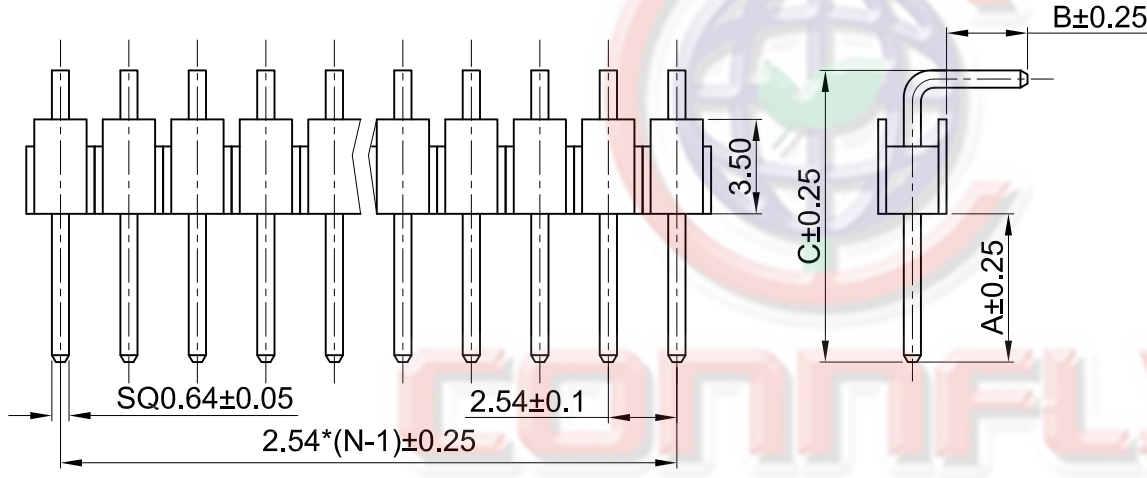
|            |    |        |                            |
|------------|----|--------|----------------------------|
| PROJECTION |    | TITLE  | 2.54mm PIN HEADER R/A TYPE |
| UNITS      | mm |        | SINGLE ROW U TYPE H=3.5mm  |
| SHEET SIZE | A4 | SERIES | DS1022-27 SERIES           |

**晨翔电子有限公司**  
**CONNFLY CONNELY ELECTRONIC CO. LTD**

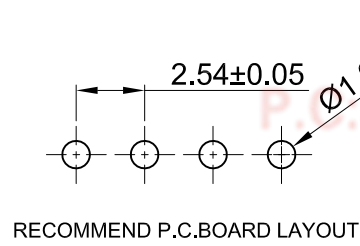
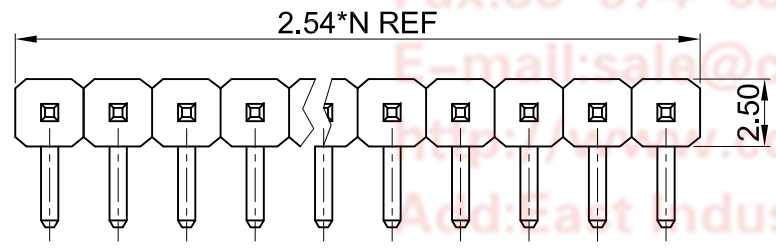
Tel:86-574-63508787  
 Fax:86-574-63510817  
 E-mail:sale@connfly.com  
 connfly.com  
 Add:East Industry Zone KuangYan  
 Town Cixi Ningbo China  
 P.C:315333

|      |        |   |   |      |             |               |         |          |
|------|--------|---|---|------|-------------|---------------|---------|----------|
| 1    | 2      | 3 | 4 | 5    | 6           | 7             | 8       |          |
| Dept | D TYPE |   |   | REV. | DESCRIPTION | DRAWN         | CHECKED | APPROVED |
| Qty  |        |   |   | A    | NEW RELEASE | JLZ 12/24/18' |         |          |
| DC   | 1      |   |   |      |             |               |         |          |
| ED   | 1      |   |   |      |             |               |         |          |
| IE   | 1      |   |   |      |             |               |         |          |
| ISO  | 1      |   |   |      |             |               |         |          |
| PD   | 1      |   |   |      |             |               |         |          |
| R&D  | 1      |   |   |      |             |               |         |          |
| SD   | 1      |   |   |      |             |               |         |          |
| QA   | 1      |   |   |      |             |               |         |          |
| QC   | 1      |   |   |      |             |               |         |          |
| QE   | 1      |   |   |      |             |               |         |          |

The information provided herein is from CONNELY Electronic Co., Ltd. and is confidential. Any disclosure to a party other than the recipient is prohibited. The intellectual properties and its rights contained herein, including but not limited to, trademarks, patents, copyrights, trade secrets, and technical know-how, are owned exclusively by CONNELY or its affiliates. Unauthorized use of this information in any format or manner. CONNELY may enforce its intellectual property rights at its own discretion; failures or delays to exercise such rights does not constitute a waiver of such rights.



N: NUMBER OF CONTACTS



NOTES:

SPECIFICATIONS:

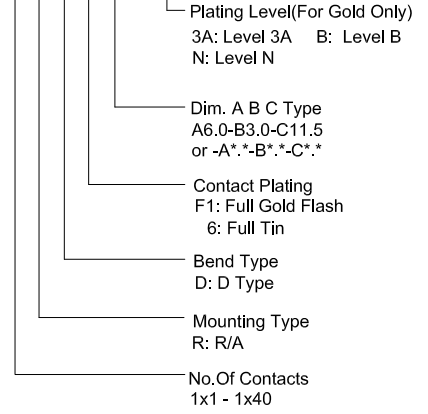
- CONTACT RESISTANCE: 20mΩ MAX.
- INSULATION RESISTANCE: 1000MΩ MIN.
- DIELECTRIC WITHSTANDING VOLTAGE: 600V AC(RMS) FOR 1 MINUTE.
- CURRENT RATING:3A.
- VOLTAGE RATING:250V AC RMS.
- TEMPERATURE: -40°C~+105°C.

MATERIALS:

- CONTACT MATERIAL: COPPER ALLOY.
- CONTACT PLATING: GOLD PLATING OVER NICKEL.
- INSULATOR MATERIALS: PBT,BLACK,UL94-V0.

PRODUCT NUMBER CODE:

DS1022-27 - X D X X X - X

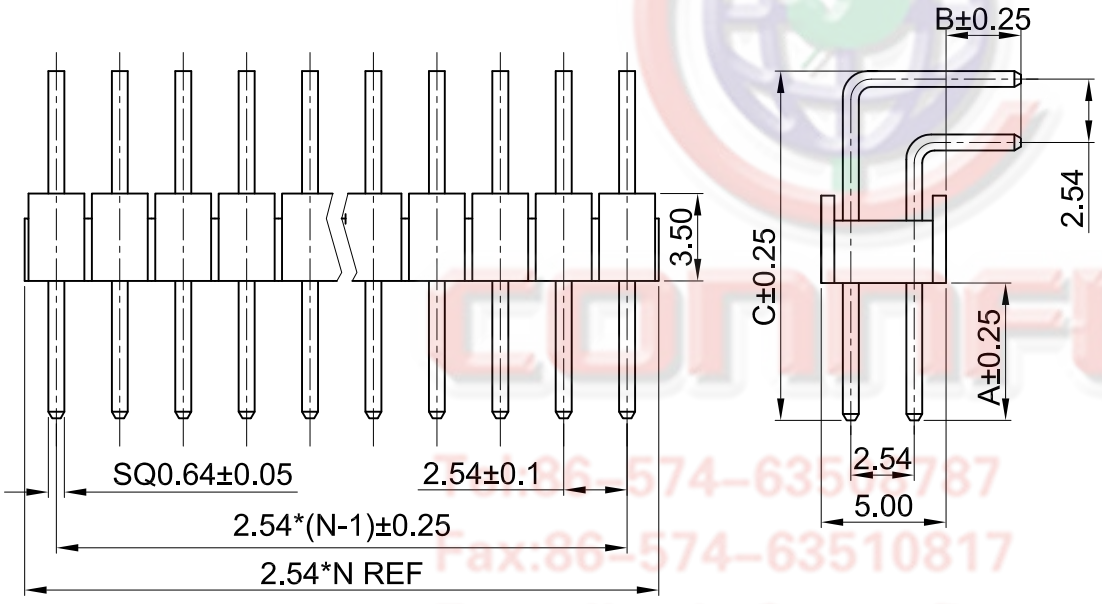


|                   |       |                         |              |   |    |                           |                            |
|-------------------|-------|-------------------------|--------------|---|----|---------------------------|----------------------------|
| GENERAL TOLERANCE |       | ANGLE TOLERANCE         |              | PROJECTION  |    | TITLE                     | 2.54mm PIN HEADER R/A TYPE |
| X.                | ±0.60 | X.                      | ±5°          | UNITS   | mm | SINGLE ROW D TYPE H=3.5mm |                            |
| .X                | ±0.38 | .X                      | ±3°          | SHEET SIZE  | A4 | SERIES                    | DS1022-27 SERIES           |
| .XX               | ±0.25 | .XX                     | ±2°          | 晨翔电子有限公司<br><b>CONNFLY CONNELY ELECTRONIC CO. LTD</b> |    |                           |                            |
| DRAWING TYPE      |       | CUSTOMER                |              |   |    |                           |                            |
| SCALE             |       | 1:1                     | SHEET 2 OF 3 |   |    |                           |                            |
| DRAWING NO.       |       | C-DS1022-27-1xXXDXX-X-A |              |   |    |                           |                            |

|      |   |   |   |   |   |   |   |   |
|------|---|---|---|---|---|---|---|---|
| Dept | 1 | 2 | 3 | 4 | 5 | 6 | 7 | 8 |
| Qty  |   |   |   |   |   |   |   |   |
| DC   | 1 |   |   |   |   |   |   |   |
| ED   | 1 |   |   |   |   |   |   |   |
| IE   | 1 |   |   |   |   |   |   |   |
| ISO  | 1 |   |   |   |   |   |   |   |
| PD   | 1 |   |   |   |   |   |   |   |
| R&D  | 1 |   |   |   |   |   |   |   |
| SD   | 1 |   |   |   |   |   |   |   |
| QA   | 1 |   |   |   |   |   |   |   |
| QC   | 1 |   |   |   |   |   |   |   |
| QF   | 1 |   |   |   |   |   |   |   |

| REV. | DESCRIPTION | DRAWN         | CHECKED | APPROVED |
|------|-------------|---------------|---------|----------|
| A    | NEW RELEASE | JLZ 12/24/18' |         |          |
|      |             |               |         |          |
|      |             |               |         |          |

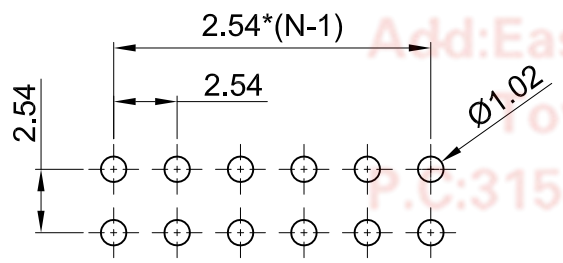
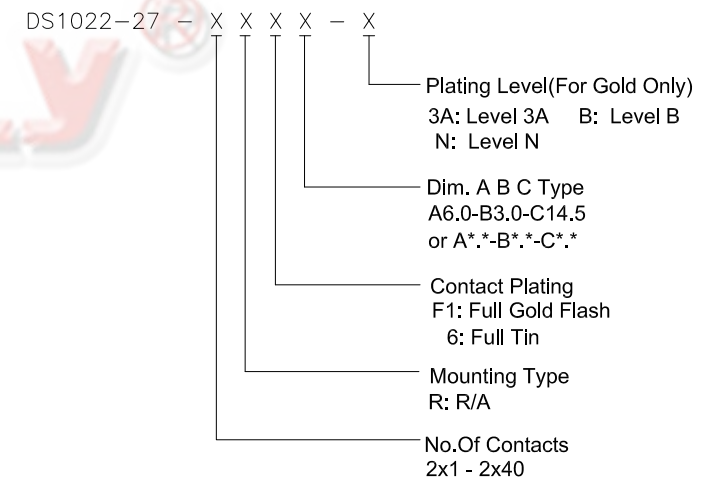
RIGHT ANGLE TYPE  
N:NUMBER OF CONCACT/2



- NOTES:  
SPECIFICATIONS:  
1. CONTACT RESISTANCE: 20mΩ MAX.  
2. INSULATION RESISTANCE: 1000MΩ MIN.  
3. DIELECTRIC WITHSTANDING VOLTAGE: 600V AC(RMS) FOR 1 MINUTE.  
4. CURRENT RATING:3A.  
5. VOLTAGE RATING:250V AC RMS.  
6. TEMPERATURE: -40°C~+105°C.

- MATERIALS:  
1. CONTACT MATERIAL: COPPER ALLOY.  
2. CONTACT PLATING: GOLD PLATING OVER NICKEL.  
3. INSULATOR MATERIALS: PBT,BLACK,UL94-V0.

PRODUCT NUMBER CODE:



RECOMMEND PCB LAYOUT  
(TOLERANCE ±0.05)

|                   |                       |  |    |        |  |
|-------------------|-----------------------|--|----|--------|--|
| GENERAL TOLERANCE | ANGLE TOLERANCE       | PROJECTION                                     |    | TITLE  | 2.54mm PIN HEADER R/A TYPE<br>DOUBLE ROW H=3.5mm |
| X. ±0.60          | X. ±5°                | UNITS  | mm | SHEET  | 3 OF 3   |
| .X ±0.38          | .X ±3°                | SHEET SIZE                                     | A4 | SERIES | DS1022-27 SERIES                                 |
| .XX ±0.25         | .XX ±2°               | 晨翔电子有限公司<br>CONNFLY CONNFLY ELECTRONIC CO. LTD |    |        |  |
| DRAWING TYPE      | CUSTOMER              |  |    |        |  |
| SCALE             | 1:1                   |  |    |        |  |
| DRAWING NO.       | C-DS1022-27-2xXXX-X-A |  |    |        |  |

The information provided herein is from CONNELY Electronic Co., Ltd. and is confidential. Any disclosure to a party other than the recipient is prohibited. The intellectual properties and its rights contained herein, including but not limited to, trademarks, patents, copyrights, trade secrets, and technical know-how, are owned exclusively by CONNELY or its affiliates. Unauthorized use of this information in any format or manner, CONNELY may enforce its intellectual property rights at its own discretion; failures or delays to exercise such rights does not constitute a waiver of such rights.

TEL: 86-574-6351787  
Fax: 86-574-63510817  
E-mail: sale@connfly.com  
http://www.connfly.com  
Add: East Industry Zone KuangYan  
Town Cixi Ningbo China  
P.C: 315333