

RoHS Compliant

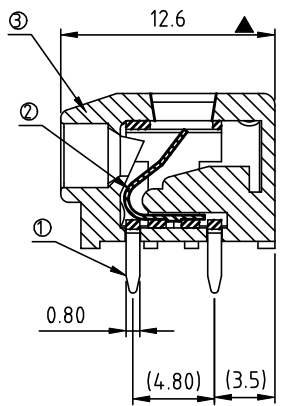
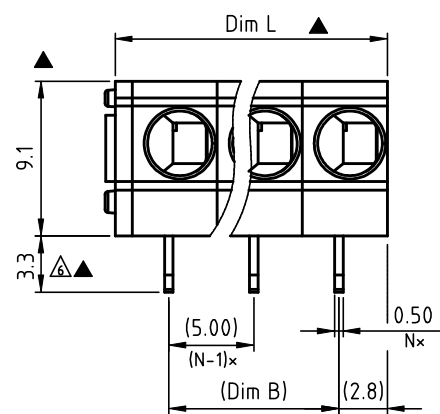
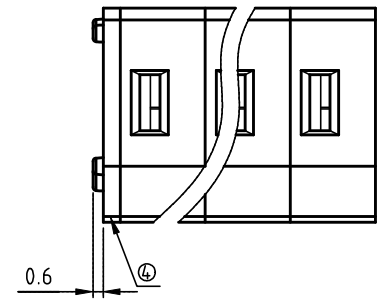
N=NUMBER OF POLES

Dim L	$N \times 5.0 + 1.00$
Dim B	$(N-1) \times 5.0$

POLES	Dim L
1P	$\pm 0.1$
2p-6P	$\pm 0.2$
7p-12P	$\pm 0.3$
13p-18P	$\pm 0.4$
19p-24P	$\pm 0.45$

Rev.	SIGN	DATE	DESCRIPTION	APPROVER
E	△	01/24/07	The Soldering temperature from 245° to 250°	Aaron
	△	01/24/07	Add "VDE" stipulation	Aaron
F	△	05/19/09	wire strip length changed from 6-7mm to 9-10mm	Eris
	△	05/19/09	temperature changed from -30°C-105°C to -40°C-115°C	Eris
	△	05/19/09	The tolerance of dimension is changed	Eris
G	△	01/02/13	change the electrical specification and the dimension from 3.6 to 3.3	Da cheng
H	△	11/11/19	Add the 1 Pole View	Guoxue
	△	11/11/19	Add the RoHS Compliant & Amphenol Logo.	Guoxue
	△	11/11/19	Update the VDE Current rating & Wire range	Guoxue
	△	11/11/19	Add the "Reference dimension" & Add the CQC.	Guoxue
	△	11/11/19	Add the "Wave Soldering temperature: 260°C±5°C/5 Sec	Guoxue
	△	11/11/19	Delete the Dim B	Guoxue

**THIS IS CAD DRAWING, DO NOT REVISE MANUALLY!!!**



△ Material

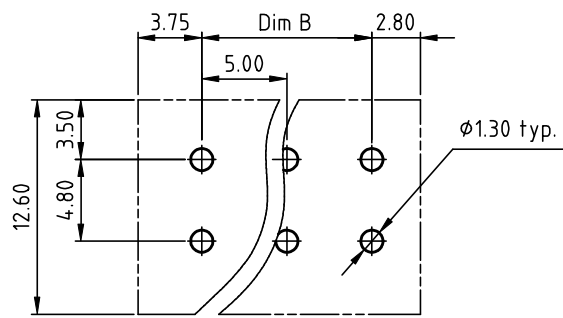
- Item ① Contact pin : Brass.Tin plated
- Item ② Wire guard: Stainless steel
- Item ③ Insulator body: Thermoplastic (UL94V-0)
- Item ④ Insulating cover :Thermoplastic ( UL94V-0 )

△ Electrica

	cULus	VDE	CQC
● Voltage rating:	300VAC	450VAC	450VAC
● Current rating:	10A	9A	24A
● Wire range:		0.2-0.75mm <sup>2</sup>	0.5-2.5mm <sup>2</sup>
● Solid wire(AWG):	14-20		
● Stranded wire(AWG):	14-20		
● Wire strip length:	9-10mm		
● Withstanding Voltage:	1.6KV	2.5KV	2.5KV
● Operating temperature:	-40°C to +115°C		
● Wave Soldering temperature:	260°C±5°C/5 Sec		
● Safety Approval:	UL, CE, RoHS	VDE	CQC
● Critical dimension:	△		
● Reference dimension: (x)	The dimensions of pitch are just for reference, take the actual assembly result as a judgment when inserting the terminal block into the PCB hole.		

HB xx x 0 1 x 1 xxx G

- △ Color
  - 0 Black (RAL9005)
  - 2 Red (RAL3001/D)
  - 3 Orange(RAL2011/P)
  - 4 Yellow(RAL1018/A)
  - 5 Green(RAL6018/T)
  - 6 Blue (RAL5015/A)
  - 8 Grey(RAL7004/P)
  - 9 White(RAL1102)
  - C Multiple colors
- No. OF POLES  
01: 1 POLES  
02: 2 POLES  
:  
24: 24 POLES
- 0000 Standard @ Logo  
000A Standard ANY Logo  
Any special item by customer request, please contact sales department.
- △ RoHS compliant (lead<4%) In copper Alloy



P.C.B. LAYOUT  
△ Top view

		<b>CUSTOMER COPY</b> ALL RIGHTS RESERVED. REPRODUCTION OR ISSUE TO THIRD PARTIES IN ANY FORM WHATSOEVER IS NOT PERMITTED WITHOUT WRITTEN AUTHORITY FROM THE PROPRIETOR. PROPERTY OF ANYTEK TECHNOLOGY CO., LTD			
PART NO.	HBxx01x1xxxxG	DWG NO.	8HB0003		
APPROVED	CHECKED	DESIGNED	DRAWN	CUST NO.	Tolerance
		Guoxue 2019.11.11	Guoxue 2019.11.11		X. ±0.50 X.X ±0.30 X.XX ±0.10 X° ±1°
				UNIT: mm SCALE: NONE SHEET: 01/01	REV.: H