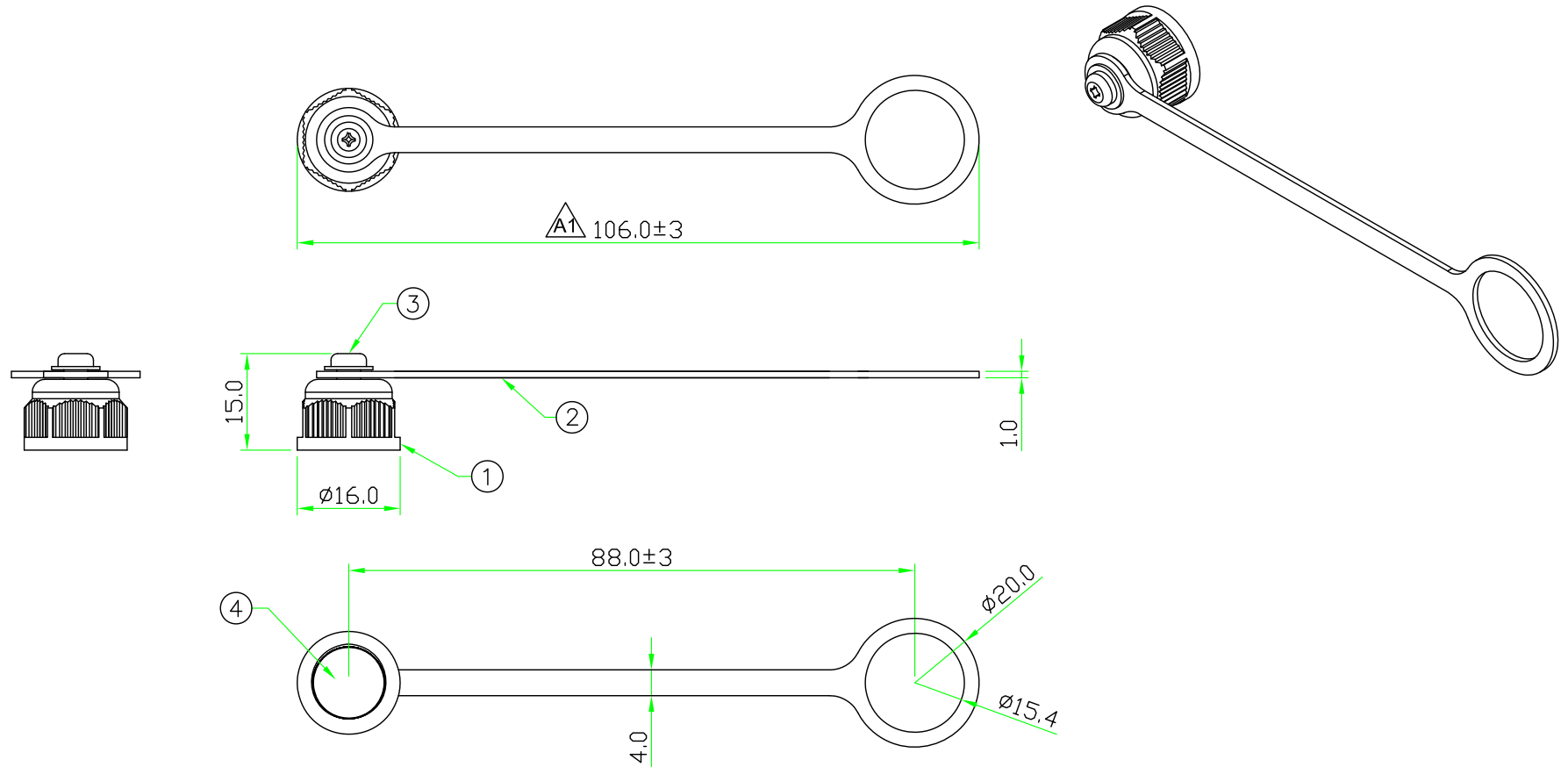


RoHS

A1

REV.	DESCRIPTION	DATE
A	ISSUE	May/06/2013
A1	Drawing Update	Jul/07/2014



HOLIN[®] HTP ASIA TECHNOLOGY CO., LTD.
 禾凌科技股份有限公司

UNIT: mm	TITLE : Waterproof Cap with Plastic Chain for M12 Male Connector
SCALE 1:1	P/N: 12P-WCAP-MB
UNLESS OTHERWISE SPECIFIED TOLERANCES: .X ± 0.25 .XX ± 0.1 .XXX ± 0.05 ANGLE ± 1°X	DR. Patty
REV. A1	CH. ERIC
SHEET 1/1	DWG.NO: 12P-WCAP-MB
	AP.

No.	PART NAME	DESCRIPTION	COLOR	Q'TY	REMARKS
4	GASKET	RUBBER.	BLACK	1	
3	SCREW	P \oplus /W=7.5 3x6 TP-1, SUS .	BLACK	1	
2	CHAIN	PU or TPE.	BLACK	1	
1	CAP	Waterproof Cap For Male, NYLON+GF.	BLACK	1	