

RECOMMENDED PCB LAYOUT  
AS VIEWED FROM COMPONENT SIDE

Specification 规格:

Electrical 电气规格:

Voltage Rating 电压额定值: 125 V AC (RMS)  
 Current Rating 电流额定值: 1.5 Amp  
 Contact Resistance 接触电阻值: 35mΩ Max.  
 Insulation Resistance 绝缘电阻值: 1000MΩ Min. @ 500 VDC  
 Dielectric Strength: 1000 VAC RMS 60Hz, 1 Min.

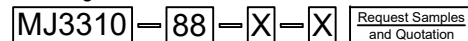
Material 物料规格:

Housing Material 塑胶外壳: Hi-Temp Thermoplastic UL94V-0, Black  
 Contact Material: Phosphor Bronze t=0.35mm  
 Plating 电镀规格: Gold Plating over Nickel  
 Operating Life: 750 Cycles Min.  
 PCB Retention Post Solder: 10 LBS Min.

Environmental:

Storage: -40°C to +85°C  
 Operation: -40°C to +85°C  
 IR Reflow Soldering Temperature: 255°C to 265°C, 5-10 seconds

Ordering Grid

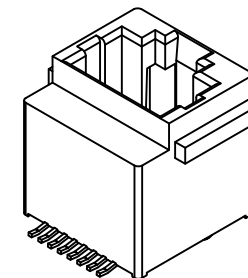


No. of Positions/  
Positions Loaded  
88 = 8/8

Request Samples  
and Quotation

Mylar Film - for pick and place  
A = Without  
B = With (Standard)

Contact Plating  
2 = 6μ" Gold (Standard)  
4 = 30μ" Gold  
5 = 50μ" Gold



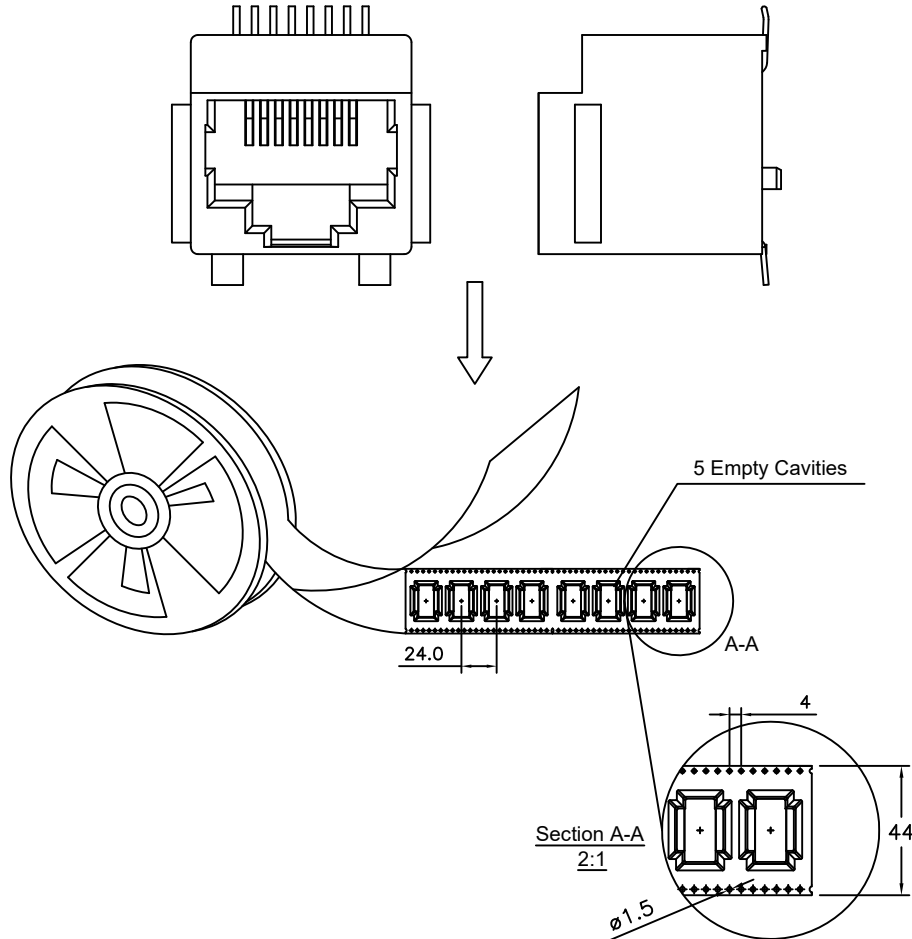
Part Number		Product Description					
MJ3310 - 8 Position		Modular Jack Connector, 8 Position, Category 3, Vertical SMT, Standard Profile, With Solder Tab, With PCB Peg					
Drawing Date		12th May 2010				This drawing is confidential and copyright of Global Connector Technology, Ltd (GCT). This drawing must not be copied or disclosed without written consent. E & OE	
By	PKN	Tolerances (Except as Noted)	Length	Angle	Units:	Metric (mm)	Not to Scale
Detail	Drawing Release	X.X ± 0.20	X.XX ± 0.15	± 5°			Drawn By PKN
Revision	A	X.XXX ± 0.10					Sheet No. 1/2
Date	11/05/10						

1. Packing Material 包材 - Tape Reel

Quantity 數量 - 1\*150=150 PCS

Tape Reel 卷帶 - Width 44 \* Depth 15.7 \* Pitch 24 = Total Length 4.1m

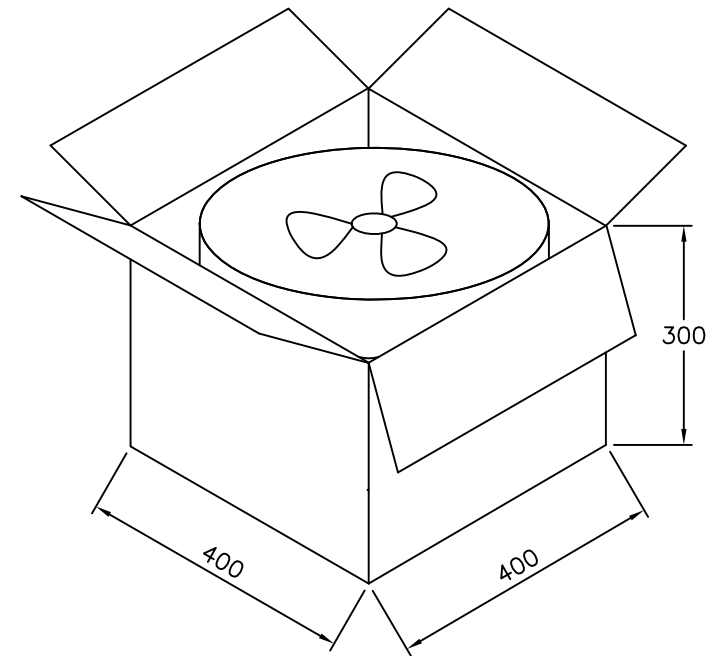
Reel 卷盤 -  $\phi 380\text{mm}$



2. Packing Material 包材 - Carton 1 PC

Quantity 數量 - 150\*6=900 PCS

Part Number 零部件料号	Net Weight 淨重	Gross Weight 毛重	Q'TY 數量
MJ3310-88-X-X	7.00Kg	7.50Kg	900



Part Number		Product Description	
MJ3310 - 8 Position		Modular Jack Connector, 8 Position, Category 3, Vertical SMT, Standard Profile, With Solder Tab, With PCB Peg	
Drawing Date		12th May 2010	
By	PKN	Tolerances (Except as Noted)	Units:
Detail	Drawing Release	Length	Metric (mm)
Revision	A	Angle	RoHS COMPLIANT 2011/08/EU
Date	11/05/10		Deca-BDE
		This drawing is confidential and copyright of Global Connector Technology, Ltd (GCT). This drawing must not be copied or disclosed without written consent. E & OE	
		<b>GCT</b> www.gct.co	
		Not to Scale	Drawn By PKN Sheet No. 2/2