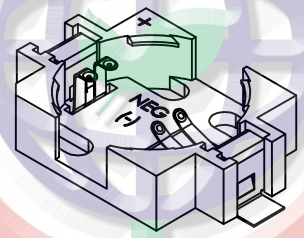
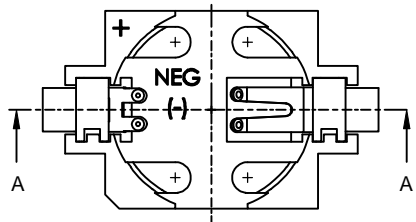


| REV. | DESCRIPTION | DRAWN         | CHECKED | APPROVED |
|------|-------------|---------------|---------|----------|
| A    | NEW RELEASE | JLZ 09/25/15' |         |          |
|      |             |               |         |          |
|      |             |               |         |          |

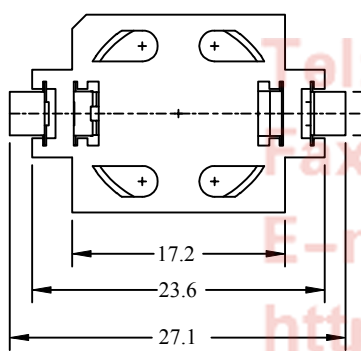
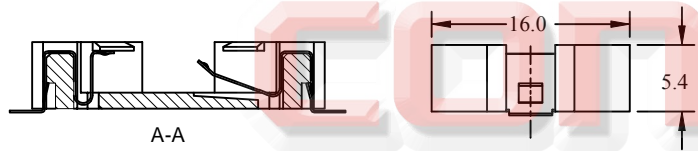


**NOTE:**

- Materials:
  - 1.1 Base: Thermoplastic, UL94 V-0, Color of white. Temp. Range: -40°C to +105°C.
  - 1.2 Positive & Negative Contacts: Copper Alloy.
- Specification:
  - 2.1 Dielectric Withstanding Voltage: AC 500V AC.
  - 2.2 Insulation Resistance: 1000MΩ min.
  - 2.3 Contact Resistance: 100mΩ Max.
- Part Number Code:

DS1092-18 - X X X

- Housing material:  
L: LCP
- Contact plating:  
8: Gold
- Housing color:  
W: White



Tel: 86-574-63508787  
 Fax: 86-574-63510817  
 E-mail: sale@connfly.com  
 http://www.connfly.com  
 Add: East Industry Zone KuangYan  
 Town Cixi Ningbo, China  
 P.C: 315333

| GENERAL TOLERANCE |       | ANGLE TOLERANCE |     |
|-------------------|-------|-----------------|-----|
| X.                | ±0.60 | X.              | ±5° |
| .X                | ±0.38 | .X              | ±3° |
| .XX               | ±0.25 | .XX             | ±2° |

|              |                   |
|--------------|-------------------|
| DRAWING TYPE | CUSTOMER          |
| SCALE        | 1:1 SHEET 10F1    |
| DRAWING NO.  | C-DS1092-18-XXX-A |

|            |    |            |                         |
|------------|----|------------|-------------------------|
| PROJECTION |    | TITLE      | 1632 SMT BATTERY HOLDER |
| UNITS      | mm | SHEET SIZE | A4                      |
| SHEET SIZE | A4 | SERIES     | DS1092-18 Series        |

晨翔电子有限公司  
**CONNFLY CONNFLY ELECTRONIC CO. LTD**