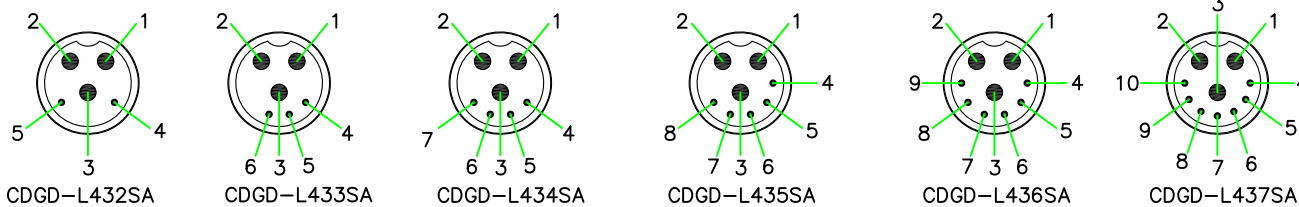
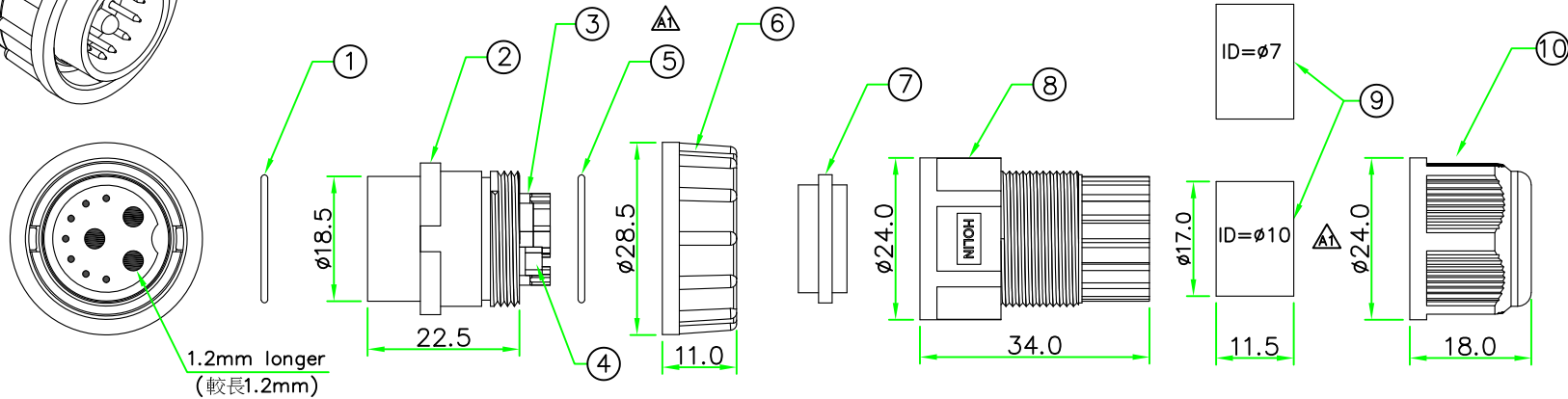
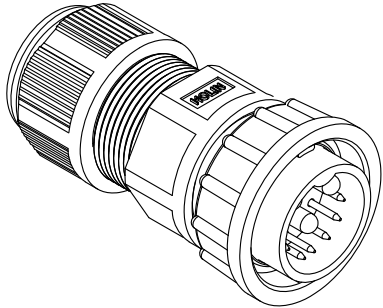
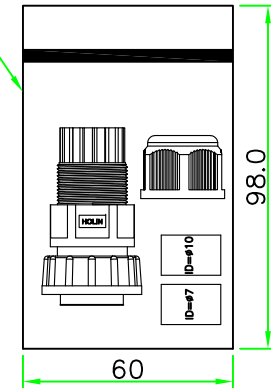


RoHS



Pin Assignment Front View
(前視圖)

#2 Zipper PE Bag.



10	CLAMP NUT	NYLON+GF.	BLACK	1	
9	TUBE	Rubber (ID= 7.0 & 10.0mm)	BLACK	2	
8	HOOD	NYLON.	BLACK	1	
7	GASKET	Rubber	BLACK	1	
6	LOCK NUT	NYLON+GF.	BLACK	1	
5	O-RING	NBR.	BLACK	1	
4	CONTACT	BRASS ,Male Pin. 6u"Gold Plated.		N	
3	CONTACT	BRASS ,Male Pin. 6u"Gold Plated.		N	
2	CONNECTOR	CDGD Female Connector Insert, NYLON+GF.	BLACK	1	
1	O-RING	EPDM	BLACK	1	
No.	PART NAME	DESCRIPTION	COLOR	Q'TY	REMARKS

REV.	DESCRIPTION	DATE
A	ISSUE	Nov/18/2011
A1	Change O-Ring & tube size.	May/22/2014
B	Modified pin assignment, title & Draw No.	Oct/14/2020

		HOLIN® HTP ASIA TECHNOLOGY CO., LTD. 禾凌科技股份有限公司
UNIT: mm SCALE 1:1	TITLE : Circular D Size Lock Type Female connector Male Pin Field Installable Plug	
UNLESS OTHERWISE SPECIFIED TOLERANCES: X ±0.25 XX ±0.1 XXX ±0.05 ANGLE ±1° REV. SHEET	P/N: CDGD-L4xxSA DWG.NO: CDGD-L4xxSA	DR. SIBYL CH. JAMES AP.
B 1/1	CDGD-L4xxSA	