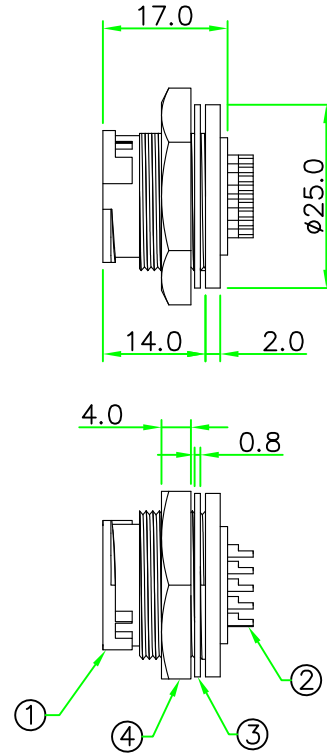
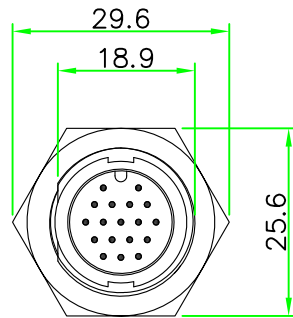


RECOMMEND PANEL CUT OUT

RoHS

IP67



REV.	DESCRIPTION	DATE
A	ISSUE	May/22/2014

NOTES:

1. ELECTRICAL CHARACTERISTICS:

CURRENT RATING: 2A / 5A / 10A / 20A

CONNECTOR TEMPERATURE RANGE: -40°C TO +105°C

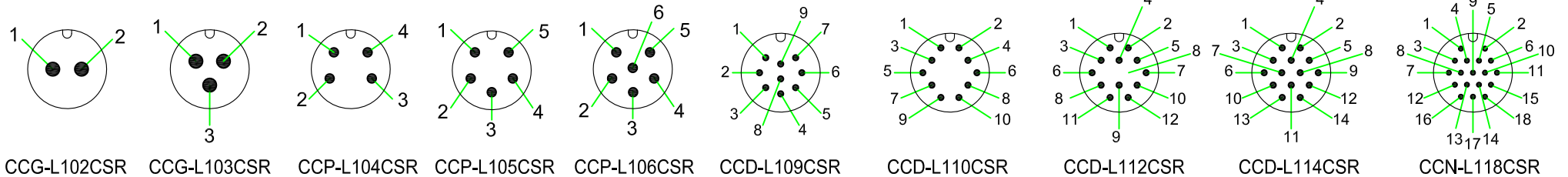
DIELECTRIC WITHSTANDING VOLTAGE:

500V AC FOR ONE MINUTE

2. HOW TO ORDER: CCx-L1xxCSR

- 02 - 2 PIN 09 - 09 PIN
- 03 - 3 PIN 10 - 10 PIN
- 04 - 4 PIN 12 - 12 PIN
- 05 - 5 PIN 14 - 14 PIN
- 06 - 6 PIN 18 - 18 PIN

- G - CURRENT RATING 20A
- P - CURRENT RATING 10A
- D - CURRENT RATING 5A
- N - CURRENT RATING 2A



PIN ASSIGNMENT FRONT VIEW
(前視圖)

4	HEX NUT	Nylon + GF.	BLACK	1	
3	GASKET	EPDM.	BLACK	1	
2	CONTACT	Brass , 6 u" Gold Plated . Male Contact.		N	
1	CONNECTOR	C Size Male Connector Insert.NYLON+GF.	BLACK	1	
No.	PART NAME	DESCRIPTION	COLOR	Q'TY	REMARKS

HOLIN® HTP ASIA TECHNOLOGY CO., LTD.
禾凌科技股份有限公司

	UNIT: mm	TITLE :	CIRCULAR C SIZE MALE PIN SCREW TYPE ROUND FLANGE REAR PANEL MOUNT SOLDER BUCKET PIN
SCALE	1:1	P/N:	CCx-L1xxCSR
UNLESS OTHERWISE SPECIFIED TOLERANCES: X ±0.25 XX ±0.1 XXX ±0.05 ANGLE ±1°X		DR.	Patty
REV.	A	CH.	ERIC
SHEET	1/1	AP.	
DWG.NO:		CCx-L1xxCSR	