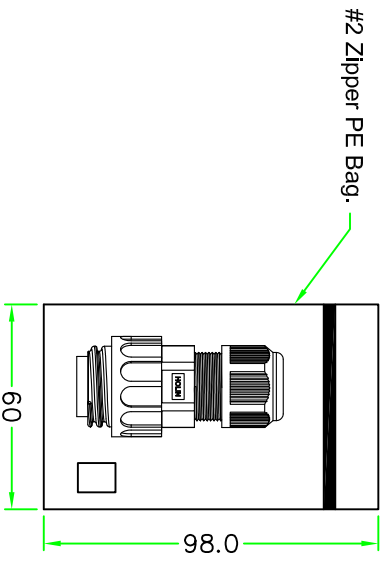
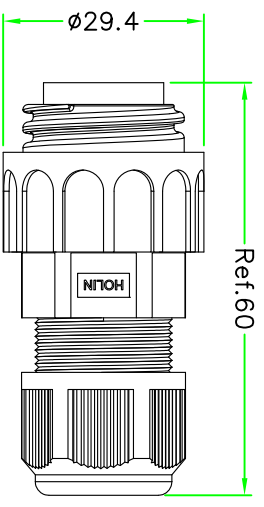
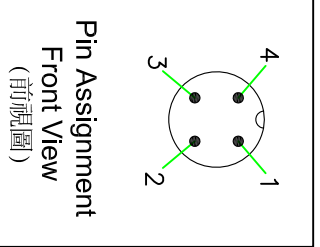
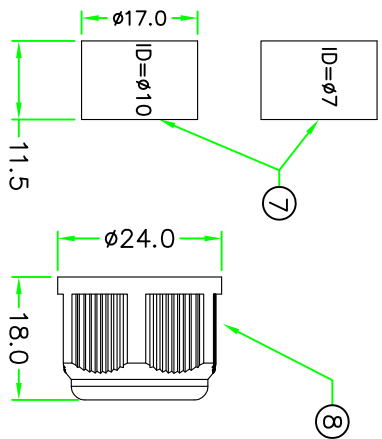
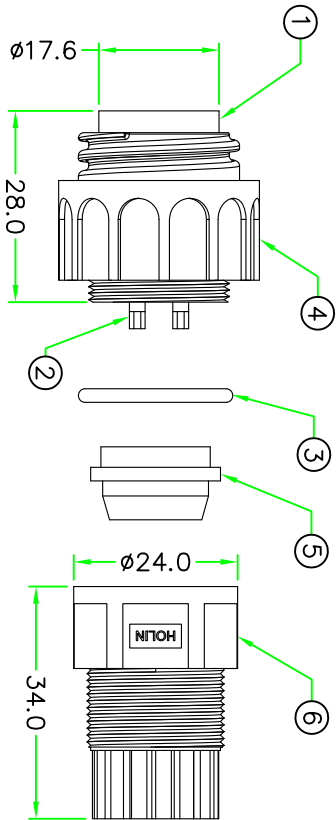
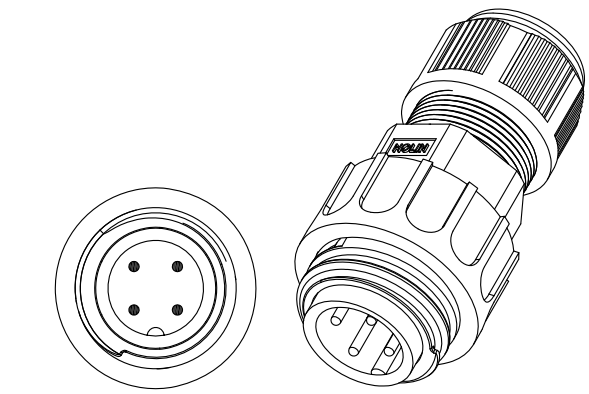


**RoHS**



8	CLAMP NUT	NYLON+GF.	BLACK	1	(70-135-N5) DPA-CLAMP		
7	SEAL	RUBBER (ID= 7.0 & 10.0mm)	BLACK	2	(97-135) DPL-SEAL xx		
6	HOOD	NYLON.	BLACK	1	(69-135-N3) DPA-HOOD		
5	GASKET	RUBBER.	BLACK	1	(97-135) DPS-RUBBER		
4	SCREW NUT	NYLON+GF.	BLACK	1	P-SN+M (28-135)		
3	O-RING	EPDM.	BLACK	1	O-1620-EK		
2	CONTACT	BRASS. MALE PIN. 6 u" GOLD PLATED.		4	C16-1M-C-PS (27-135)		
1	CONNECTOR	P SIZE 4P MALE INSERT, NYLON+GF.	BLACK	1	CPPA104M		
No.	PART NAME	DESCRIPTION			COLOR	QTY	REMARKS

**HOLIN** HTP ASIA TECHNOLOGY CO., LTD.  
 禾凌科技 股份有限公司

TITLE : Circular P Size Screw Type 4P Male Connector Male Pin Field Installable Plug

SCALE : 1:1 UNIT: mm

UNLESS OTHERWISE SPECIFIED TOLERANCES:  
 X ±0.25 XX ± 0.1  
 XXX ± 0.05 ANGLE ± 1&#176;

P/N: CPP-P104SA  
 DWG.NO: CPP-P104SA

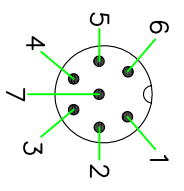
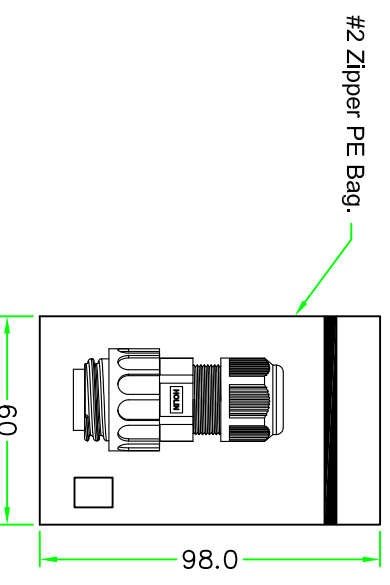
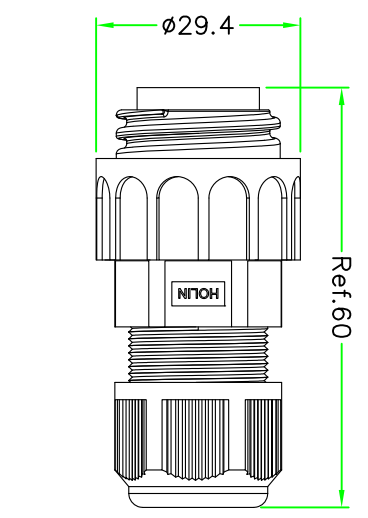
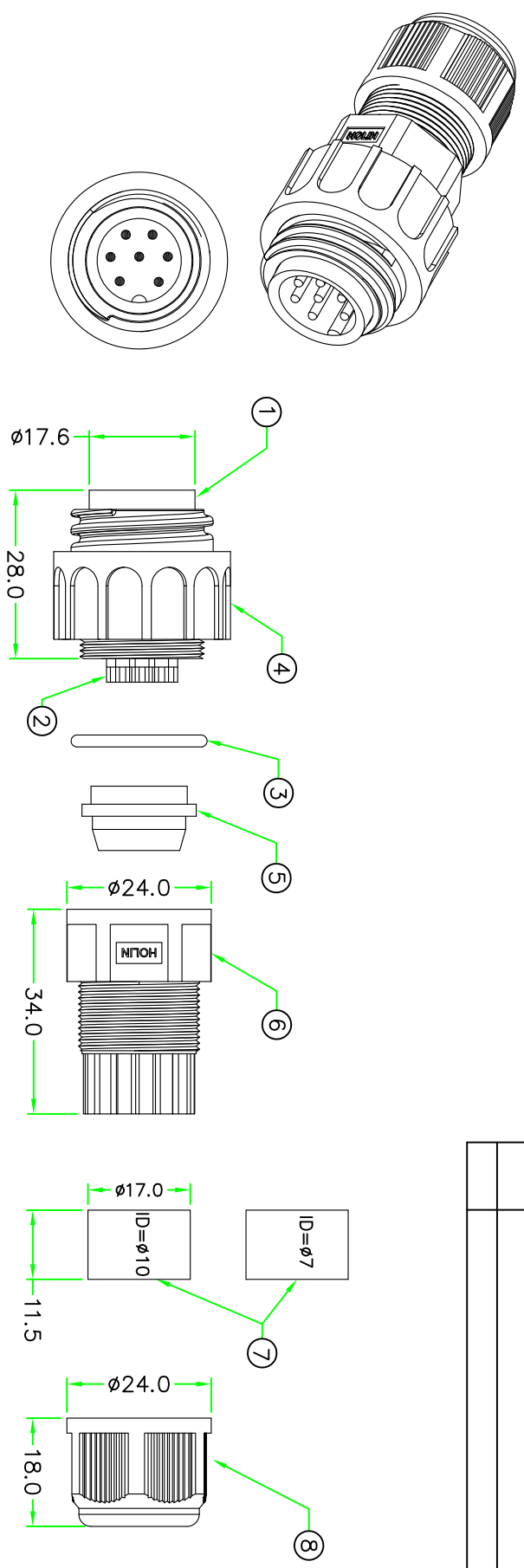
DR. *Michael*  
 CH. *ESJ*  
 AP.

REV. A SHEET 1/1

REV.	DESCRIPTION	DATE
A	ISSUE	May/08/2013

**RoHS**

REV.	DESCRIPTION	DATE
A	ISSUE	May/08/2013



Pin Assignment  
Front View  
(前视图)

8	CLAMP NUT	NYLON+GF.	BLACK	1	(70-135-N3) DPA-CLAMP
7	SEAL	RUBBER (ID=7.0 & 10.0mm)	BLACK	2	(97-135) DPL-SEALxx
6	HOOD	NYLON.	BLACK	1	(69-135-N3) DPA-HOOD
5	GASKET	RUBBER.	BLACK	1	(97-135) DPS-RUBBER
4	SCREW NUT	NYLON+GF.	BLACK	1	P-SNM (28-135)
3	O-RING	EPDM.	BLACK	1	O-1620-EK
2	CONTACT	BRASS, MALE PIN, 6 u" GOLD PLATED.		7	C16+MM-C-PS
1	CONNECTOR	P SIZE 7P MALE INSERT, NYLON+GF.	BLACK	1	(27-135) CPP-A107M
No.	PART NAME		COLOR	QTY	REMARKS
	DESCRIPTION				

**HOLIN®** HTP ASIA TECHNOLOGY CO., LTD.  
禾凌科技 股份有限公司

SCALE: 1:1

UNIT: mm

TITLE: Circular P Size Screw Type 7P Male Connector Male Pin Field Installable Plug

DR. Michael

CH. Engje

AP.

P/N: CPP-P107SA

DMG. NO: CPP-P107SA

REV. A

SHEET 1/1

UNLESS OTHERWISE SPECIFIED TOLERANCES:  
X ±0.25 XX ±0.1  
XXX ±0.05 ANGLE ±1dx