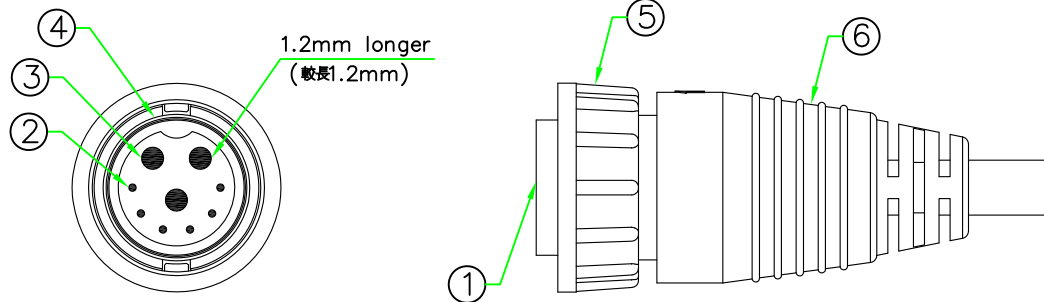
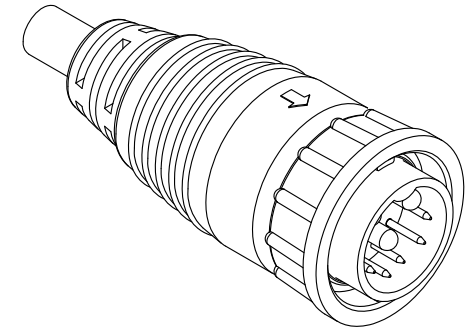
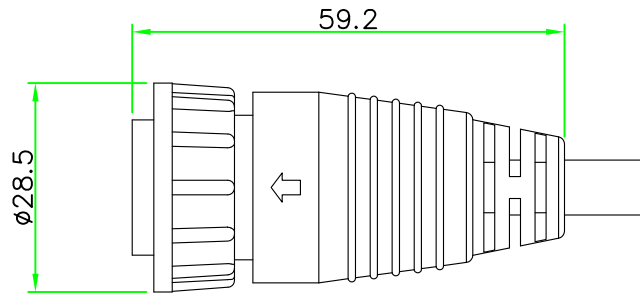


RoHS

IP66~68

REV.	DESCRIPTION	DATE
A	ISSUE	Jul/24/2014
A1	Cancel P/N NO. CDGD-L333CPR-B & Change CDGD-L333CPR PIN ASSIGNMENT	Aug/01/2014



NOTES:

1. ELECTRICAL CHARACTERISTICS:

CURRENT RATING: 20A + 5A

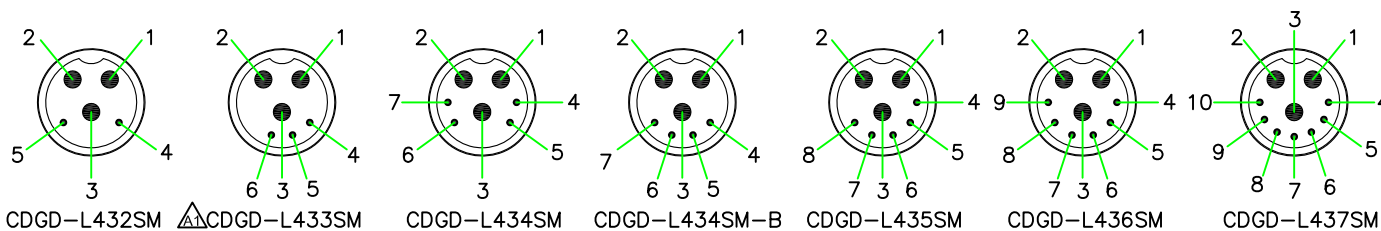
CONNECTOR TEMPERATURE RANGE: -40°C TO +105°C

DIELECTRIC WITHSTANDING VOLTAGE:

500V AC FOR ONE MINUTE

2. HOW TO ORDER: CDGD-L43xSM(-B)

- 2 - 2 PIN 5 - 5 PIN
- 3 - 3 PIN 6 - 6 PIN
- 4 - 4 PIN 7 - 7 PIN



Pin Assignment Front View

(前視圖)

No.	PART NAME	DESCRIPTION	COLOR	Q'TY	REMARKS
6	OVERMOLD	PVC or PU.	BLACK	1	
5	LOCK NUT	NYLON+GF.	BLACK	1	
4	O-RING	EPDM.	BLACK	1	
3	CONTACT	Brass ,Male Pin. 6u" Gold Plated.		3	
2	CONTACT	Brass ,Male Pin. 6u" Gold Plated.		N	
1	CONNECTOR	D Size Female Connector Insert, NYLON+GF.	BLACK	1	

HOLIN® HTP ASIA TECHNOLOGY CO., LTD.
禾凌科技股份有限公司

	UNIT: mm	TITLE :	Circular D Size Lock Type Female Connector Male Pin Molded Cable
SCALE	1:1	P/N:	CDGD-L43xSM(-B)
UNLESS OTHERWISE SPECIFIED TOLERANCES:		DR.	Patty
.x ± 0.25 .xx ± 0.1 .xxx ± 0.05 ANGLE ± 1°		CH.	ERIC
REV. A1	SHEET 1/1	DWG.NO:	CDGD-L43xSM(-B)
		AP.	