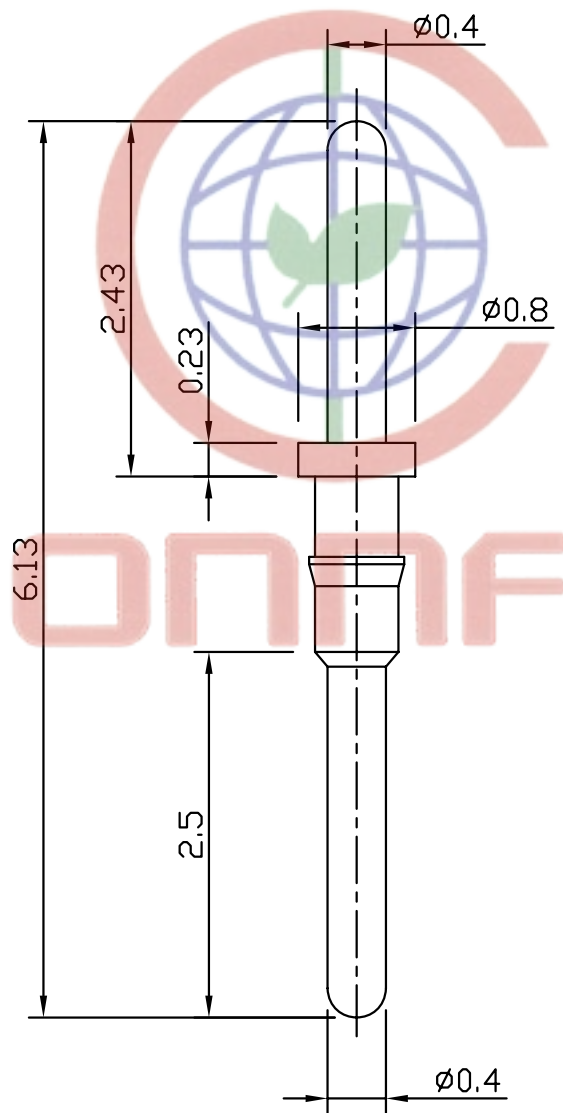


REV.	DESCRIPTION	DRAWN	CHECKED	APPROVED
A	NEW RELEASE	HP 07/07/05		



TECHNICAL DATA

- MATERIAL
  - . Pin: Brass,Machined,CuZn38Pb2
- ELECTRICAL
  - . Current Rating: 1A Per Pin max.
  - . Operating Voltage: 60V RMS max.
- PRODUCT NUMBER CODE:

DS1006-01 - X

- PIN PLATED
- 6: Full Tin
- 8: Full Gold flash
- C: Full Gold 3u"
- A: Full Gold 10u"
- B: Full Gold 15u"

Tel: 86-574-63508787  
 Fax: 86-574-63510817

SERIES NO  
 DS1006-01

GENERAL TOLERANCE		ANGLE TOLERANCE		PROJECTION		TITLE	BOARD TO BOARD TERMINALS 6.13mm	
X.	±0.20	X.	±2°	UNITS	mm			
.X	±0.10	.X	±1°	SHEET SIZE	A4	SERIES	DS1006-01	
.XX	±0.05	.XX	±0.5°					
DRAWING TYPE		CUSTOMER		晨翔电子有限公司 <b>CONNFLY CONNFLY ELECTRONIC CO. LTD</b>				
SCALE		SHEET						
DRAWING NO.		C-DS1006-01-X						

E-mail: sales@connfly.com.cn  
 Http://www.connfly.com.cn  
 West Taom Road Cixi Ningbo China  
 P.C.:315521