

REV.	DESCRIPTION	DRAWN	CHECKED	APPROVED
A	NEW RELEASE	JLZ 08/26/16'	HZW 08/26/16'	LJC 08/26/16'
B	DRAWING UPDTAE	JLZ 04/09/18'	~	

SPECIFICATION

1. Insulation Resistance: 1000MΩ Min.
2. Withstand Voltage: 1000V AC/Minute.
3. Voltage Rating: 125V AC/DC.
4. Current Rating: 0.5A.
5. Temperature Range: -40~+85°C.
6. Durability: 600 Mating Cycles Min.
7. Product Number Code:

DS1134-08 - X X X X X

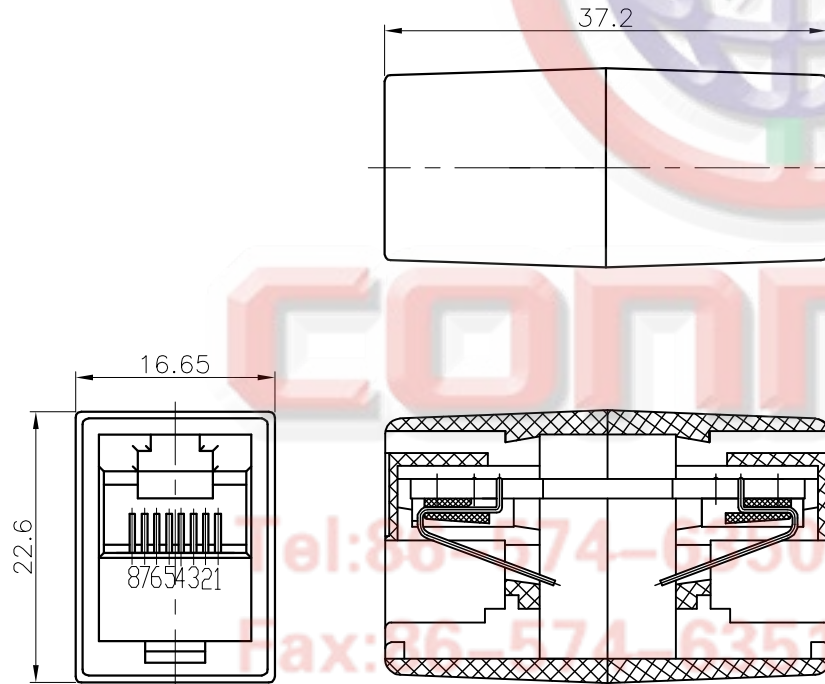
Housing Materials
A:ABS

Housing Color
B:Black
V:Ivory

Contact Plating
8:Gold Flash
C:3u" Gold

No.Of Contacts
8:8P8C

Connector Type
S:Socket



TEL: 86-574-63508787
FAX: 86-574-6350817

E-mail: sale@connfly.com

http://www.connfly.com

Add: East Industry Zone, Kexing

Town Cixilingbo, Ningbo

P.C: 315333

GENERAL TOLERANCE		ANGLE TOLERANCE	
X.	±0.60	X.	±5°
.X	±0.38	.X	±3°
.XX	±0.25	.XX	±2°

DRAWING TYPE	CUSTOMER		
SCALE	1:1	SHEET	1 OF 1
DRAWING NO.	C-DS1134-08-XXXXX-B		

PROJECTION		TITLE	PCB JACK 8P ADAPTOR	
UNITS	mm	SHEET	A4	
SHEET SIZE	A4	SERIES	DS1134-08 SERIES	

晨翔电子有限公司
CONNFLY CONNFLY ELECTRONIC CO. LTD