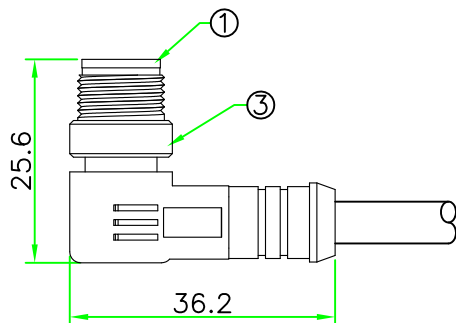
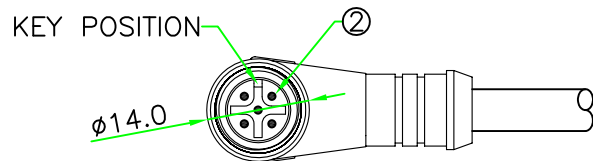
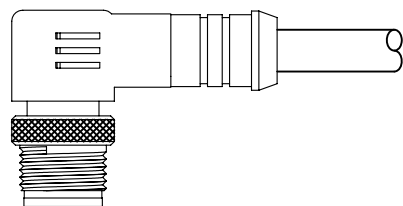


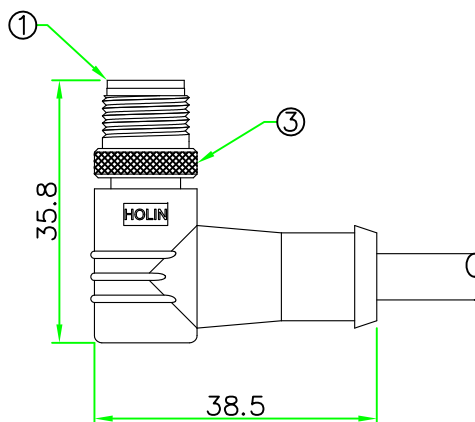
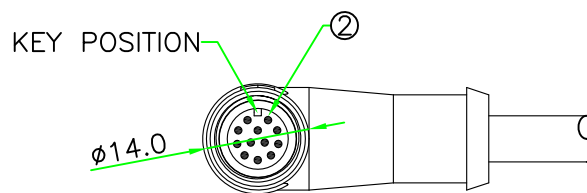
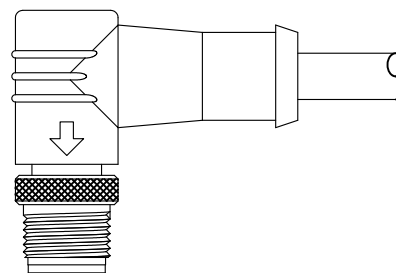
RoHS

IP66~68

2~5PIN



6~12PIN



REV.	DESCRIPTION	DATE
A	ISSUE	Sep/02/2014

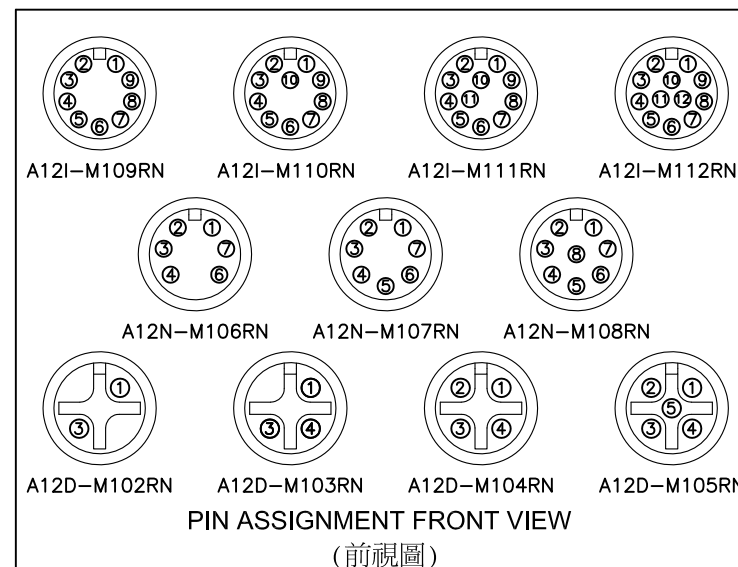
NOTES:

- ELECTRICAL CHARACTERISTICS:
CURRENT RATING: 1.5A / 2A / 4A
TEMPERATURE RANGE: -25°C TO +85°C
DIELECTRIC WITHSTANDING VOLTAGE:
500V AC FOR ONE MINUTE

2. HOW TO ORDER: A12x-M1xxRN

- 02 - 2 PIN
- 03 - 3 PIN
- 04 - 4 PIN
- 05 - 5 PIN
- 06 - 6 PIN
- 07 - 7 PIN
- 08 - 8 PIN
- 09 - 9 PIN
- 10 - 10PIN
- 11 - 11PIN
- 12 - 12PIN

- I - CURRENT RATING 1.5A
- N - CURRENT RATING 2A
- D - CURRENT RATING 4A



HOLIN® HTP ASIA TECHNOLOGY CO., LTD.
禾凌科技股份有限公司

	UNIT: mm	TITLE	M12 A-Coding MALE R/A molded cable
SCALE	1:1		

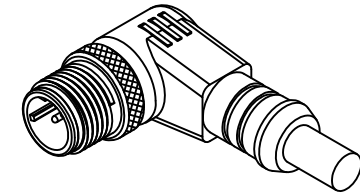
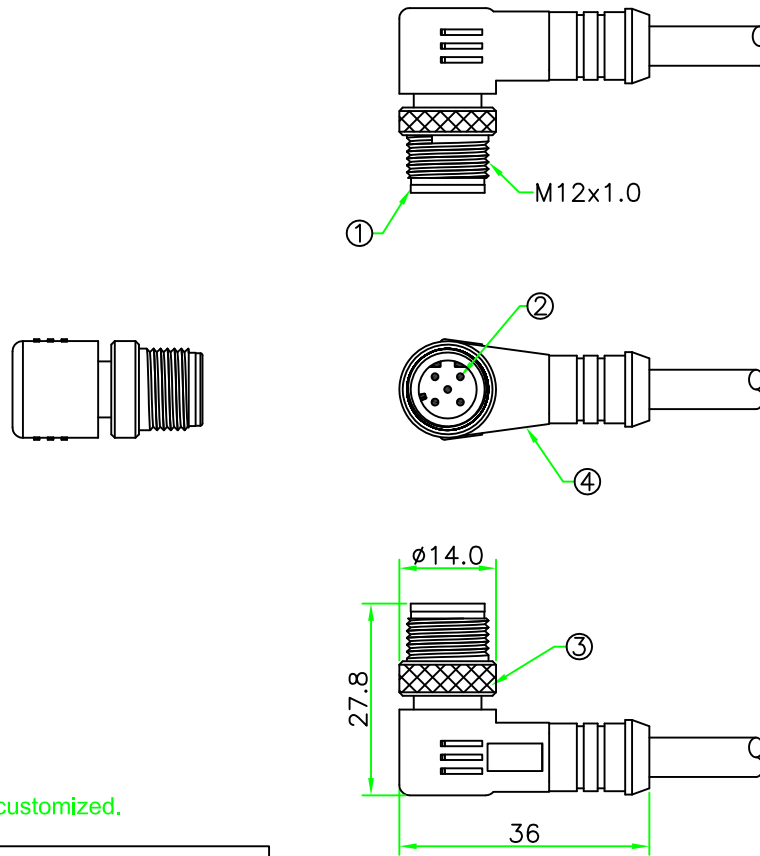
UNLESS OTHERWISE SPECIFIED TOLERANCES: .x ± 0.25 .xx ± 0.1 .xxx ± 0.05 ANGLE ± 1°		P/N:	A12x-M1xxRN	DR. Patty
REV.	A	SHEET	1/1	CH. ERIC
		DWG.NO:	A12x-M1xxRN	AP.

No.	PART NAME	DESCRIPTION	COLOR	Q'TY	REMARKS
3	RING NUT	Brass, Nickel Plated.		1	
2	CONTACT	Brass , 6 u" Gold Plated .Male Contact.		N	
1	CONNECTOR	M12 A-Coding Male Connector Insert.NYLON+GF.	BLACK	1	

RoHS

IP66-68

REV.	DESCRIPTION	DATE
A	ISSUE	Aug/14/2015



NOTES:

1. ELECTRICAL CHARACTERISTICS:

CURRENT RATING: 4A

TEMPERATURE RANGE: -20°C TO +80°C

DIELECTRIC WITHSTANDING VOLTAGE:

500V AC FOR ONE MINUTE

2. HOW TO ORDER: D12D-M1xxRN

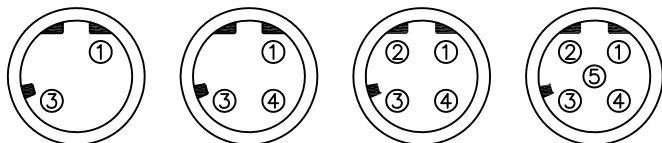
02 - 2 PIN

03 - 3 PIN

04 - 4 PIN

05 - 5 PIN

*Cable specification and length can be customized.



D12D-M102RN D12D-M103RN D12D-M104RN D12D-M105RN

Pin Assignment Front View (前視圖)

4	OVERMOLD	PU or PVC.	BLACK		
3	RING NUT	BRASS, Nickel Plated.		1	
2	CONTACT	BRASS, 6 u" Gold Plated. Male Contact.		N	
1	CONNECTOR	M12 D-Coding Male Connector Insert. NYLON+GF.	BLACK	1	
No.	PART NAME	DESCRIPTION	COLOR	Q'TY	REMARKS

HOLIN [®] HTP ASIA TECHNOLOGY CO., LTD. 禾凌科技股份有限公司					
		UNIT: mm	TITLE	M12 D-Coding Male Connector Right Angle Molded Cable Ass'y	
SCALE	1:1		P/N:	D12D-M1xxRN	DR. Patty
UNLESS OTHERWISE SPECIFIED TOLERANCES:		X ± 0.5	XX ± 0.05		CH. ERIC
		XXX ± 0.1	ANGLE ± 1°		
REV.	A	SHEET	DWG.NO:	D12D-M1xxRN	AP.
		1/1			