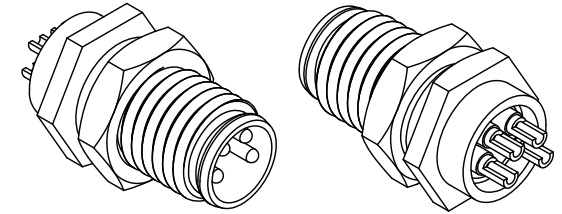
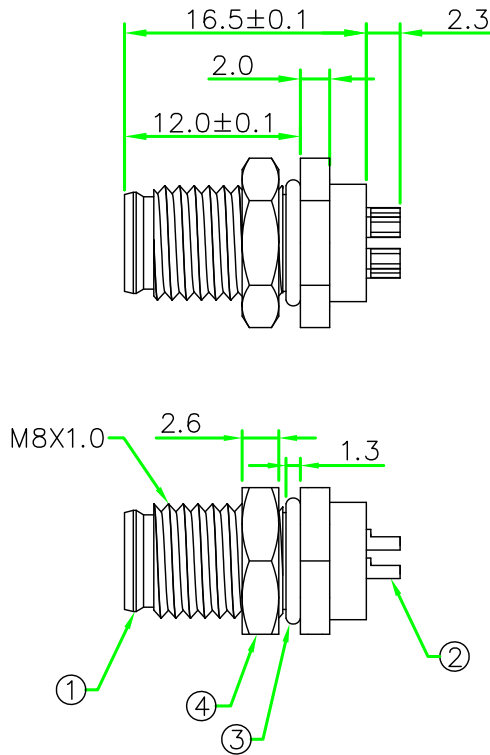
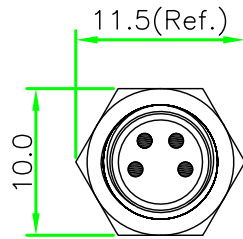


RECOMMENDED
PANEL CUT OUT

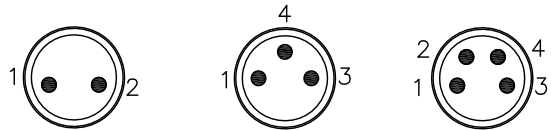
RoHS
IP66~68



NOTES:

- ELECTRICAL CHARACTERISTICS:
CURRENT RATING: 3A
TEMPERATURE RANGE: -25°C TO +85°C
DIELECTRIC WITHSTANDING VOLTAGE:
500V AC FOR ONE MINUTE
- PANEL THICKNESS MAX. 5.0mm
- HOW TO ORDER: A08D-P1xxHSR

- 02 - 2 PIN
- 03 - 3 PIN
- 04 - 4 PIN



A08D-P102HSR A08D-P103HSR A08D-P104HSR

PIN ASSIGNMENT FRONT VIEW
(前視圖)

4	HEX NUT	NYLON+GF.	BLACK	1	
3	O-RING	Silicon.		1	
2	CONTACT	Brass , 6 u" Gold Plated . Male Contact.	BLACK	N	
1	CONNECTOR	M8 A-Coding Male Connector Insert.NYLON+GF.	BLACK	1	
No.	PART NAME	DESCRIPTION	COLOR	Q'TY	REMARKS

REV.	DESCRIPTION	DATE
A	ISSUE	Apr/20/2015

		UNIT: mm	TITLE M8 A-Coding Male Panel Connector All Plastic Rear mount Hex Flange With Solder Bucket Pin	
		SCALE 2:1		
UNLESS OTHERWISE SPECIFIED TOLERANCES: .x ± 0.25 .xx ± 0.1 .xxx ± 0.05 ANGLE ± 1° REV. SHEET		P/N: A08D-P1xxHSR	DR. Patty CH. ERIC	
A 1/1			DWG.NO: A08D-P1xxHSR	AP.