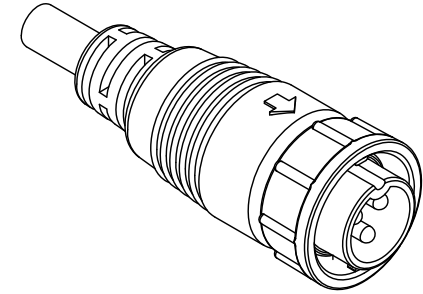
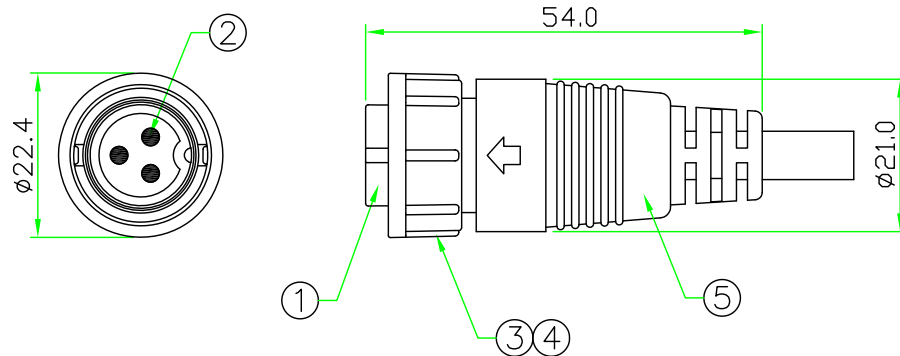


**RoHS**  
**IP66~68**

REV.	DESCRIPTION	DATE
A	ISSUE	May/25/2015

**Ref.**

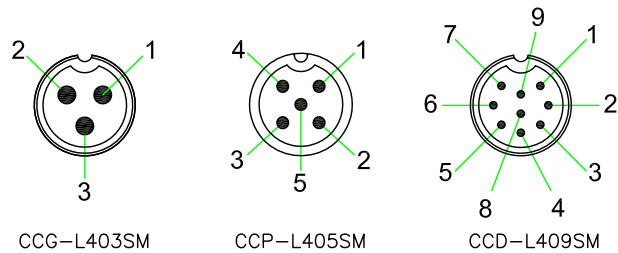


**NOTES:**

- ELECTRICAL CHARACTERISTICS:  
CURRENT RATING: 5A / 10A / 20A  
CONNECTOR TEMPERATURE RANGE: -20°C TO +80°C  
DIELECTRIC WITHSTANDING VOLTAGE:  
500V AC FOR ONE MINUTE
- HOW TO ORDER: CCx-L4xxSM

03 - 3 PIN  
05 - 5 PIN  
09 - 9 PIN

G - CURRENT RATING 20A  
P - CURRENT RATING 10A  
D - CURRENT RATING 5A



PIN ASSIGNMENT FRONT VIEW  
(前視圖)

5	OVERMOLD	PVC or PU.	BLACK	1	
4	LOCK NUT	NYLON+GF.	BLACK	1	
3	O-RING	Silicon.	BLACK	1	
2	CONTACT	Brass , 6 u" Gold Plated .Male Contact.		N	
1	CONNECTOR	C Size Female Connector Insert.NYLON+GF.	BLACK	1	
No.	PART NAME	DESCRIPTION	COLOR	Q'TY	REMARKS

HOLIN <sup>®</sup> HTP ASIA TECHNOLOGY CO., LTD. 禾凌科技股份有限公司					
		UNIT: mm	TITLE :	Circular C Size Lock Type Female Connector Male Pin Molded Cable	
SCALE	1:1		P/N:	CCx-L4xxSM	DR. Patty
UNLESS OTHERWISE SPECIFIED TOLERANCES: .x ± 0.5 .xx ± 0.25 .xxx ± 0.1 ANGLE ± 1°					CH. ERIC
REV.	A	SHEET 1/1	DWG.NO:	CCx-L4xxSM	AP.