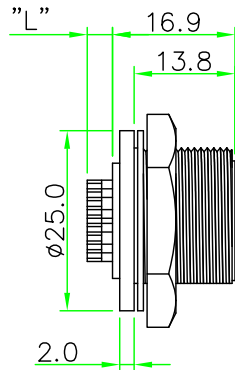


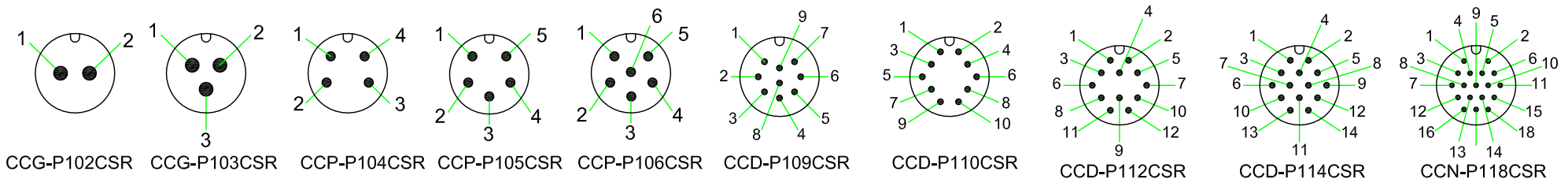
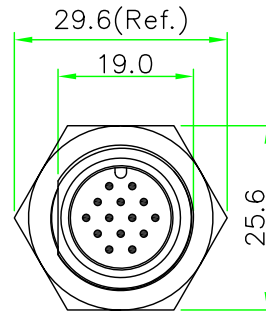
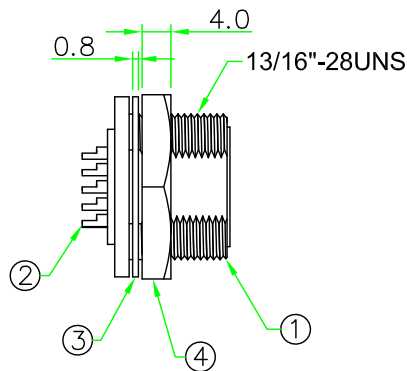
RECOMMENDED
PANEL CUT OUT

P/N	D
CCG	9.5
CCP	8.1
CCD	2.5
CCN	3.5



RoHS

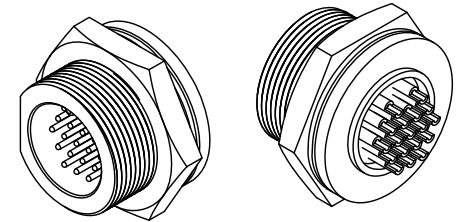
IP66~68



PIN ASSIGNMENT FRONT VIEW
(前視圖)

REV.	DESCRIPTION	DATE
A	ISSUE	Nov/09/2015

Ref.



NOTES:

- ELECTRICAL CHARACTERISTICS:
CURRENT RATING: 2A / 5A / 10A / 20A
CONNECTOR TEMPERATURE RANGE: -25°C TO +85°C
DIELECTRIC WITHSTANDING VOLTAGE:
500V AC FOR ONE MINUTE
- PANEL THICKNESS MAX. 4.0mm
- HOW TO ORDER: CCx-P1xxCSR

- 02 - 2 PIN 09 - 09 PIN
- 03 - 3 PIN 10 - 10 PIN
- 04 - 4 PIN 12 - 12 PIN
- 05 - 5 PIN 14 - 14 PIN
- 06 - 6 PIN 18 - 18 PIN

- G - CURRENT RATING 20A
- P - CURRENT RATING 10A
- D - CURRENT RATING 5A
- N - CURRENT RATING 2A

No.	PART NAME	DESCRIPTION	COLOR	Q'TY	REMARKS
4	HEX NUT	NYLON+GF.	BLACK	1	
3	GASKET	EPDM.	BLACK	1	
2	CONTACT	Brass, 6 u" Gold Plated. Male Contact.		N	
1	CONNECTOR	C Size Male Connector Insert. NYLON+GF.	BLACK	1	

HOLIN® HTP ASIA TECHNOLOGY CO., LTD.
禾凌科技股份有限公司

	UNIT: mm	TITLE : Circular C Size Male Connector Male Pin Rear Mount Screw Type Round Flange Solder Bucket Pin
SCALE	1:1	
UNLESS OTHERWISE SPECIFIED TOLERANCES: .x ± 0.5 .xx ± 0.25 .xxx ± 0.1 ANGLE ± 1°		P/N: CCx-P1xxCSR
REV. A	SHEET 1/1	DR. Patty CH. ERIC AP.
		DWG.NO: CCx-P1xxCSR