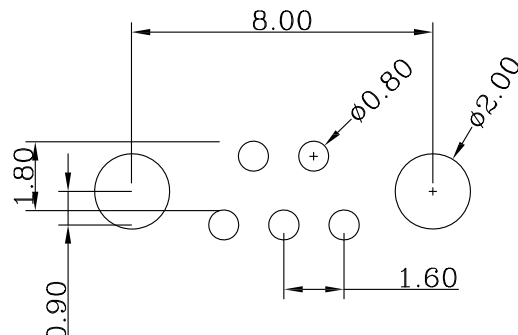
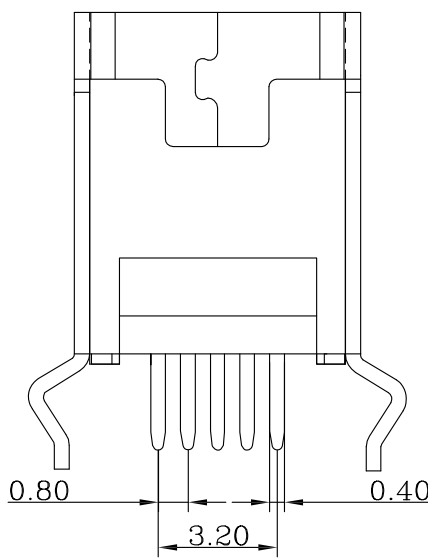
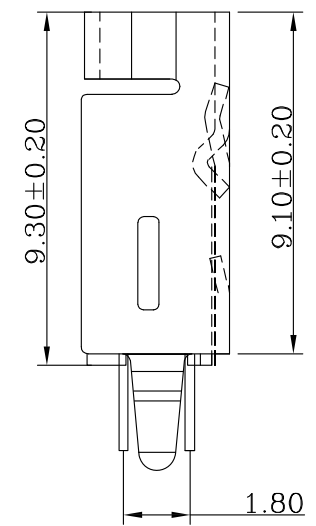
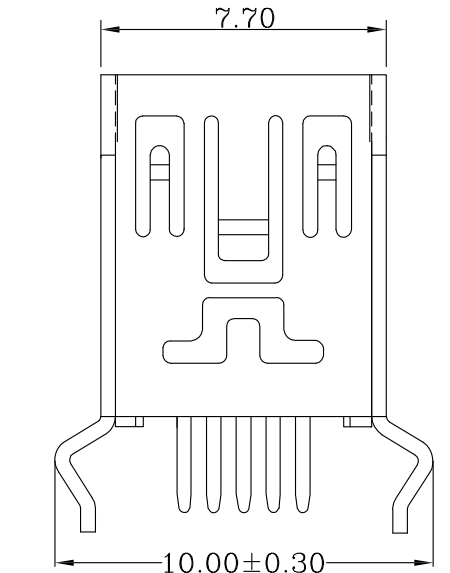
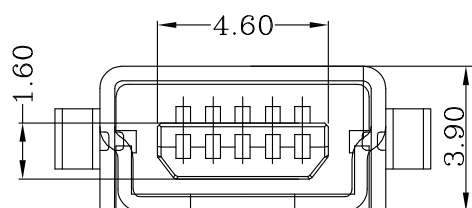


由 Autodesk 教育版产品制作

由 Autodesk 教育版产品制作



Recommended PCB Layout



SPECIFICATIONS
 VOLTAGE RATING: 30V DC
 CURRENT RATING: 1.0A
 CONTACT RESISTANCE: 50mΩ MAX
 DIELECTRIC WITHSTANDING VOLTAGE: 100V AC MIN
 INSULATION RESISTANCE: 100MΩ MIN
 MATING FORCE: 3.5KGF MAX
 UNMATING FORCE: 0.7KGF MIN INITIAL
 HOUSING: LCP
 CONTACT: BRASS
 CONTACT PLATED: GOLD FLASH
 SHELL: SPCC/BRASS
 SHELL PLATED: NICKEL PLATING

X: ±0.3 X.X: ±0.2 X.XX: ±0.15 X.XXX: ±0.1		PART NAME:		CUSTOMER: 泰联	
UNIT: mm [inch]		CUST. PART NO.		DRAWN BY: YDK 05-02-2018	
SCALE:		SIZE: A4		DRAW NO. THK-TL-004	
				CHECKED BY: GUO 05-02-2018	

1 2 3 5 6 7

A B C D E

A B C D E

1 2 3 5 6 7