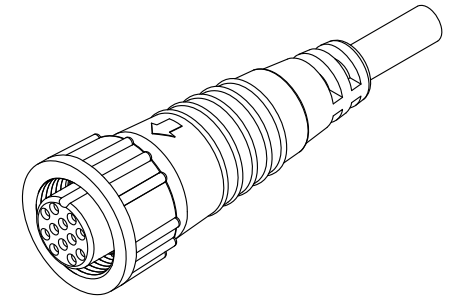
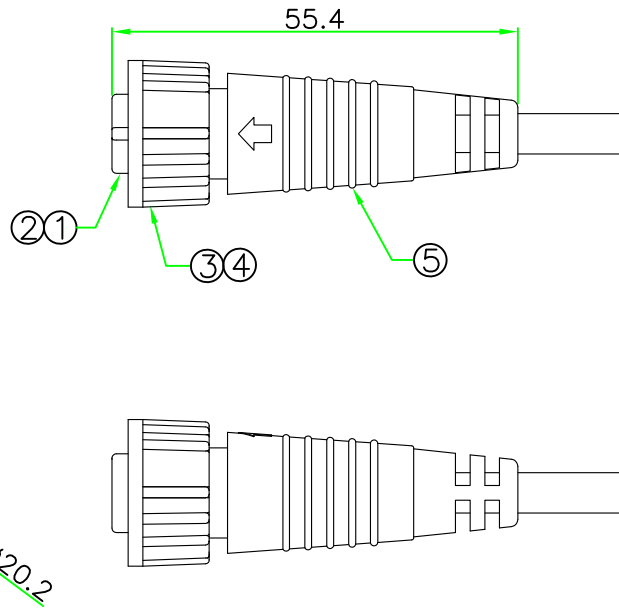


RoHS

IP66-68

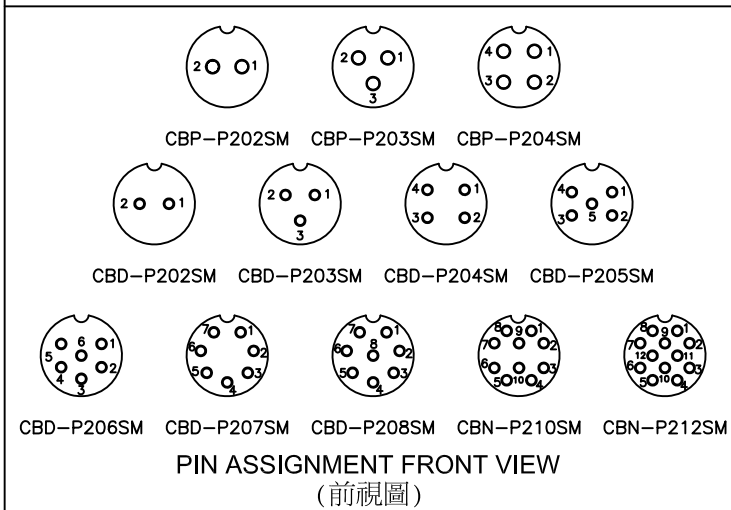


REV.	DESCRIPTION	DATE
A	ISSUE	Nov/27/2014

NOTES:

- ELECTRICAL CHARACTERISTICS:
 CURRENT RATING: 2A / 5A / 10A
 CONNECTOR TEMPERATURE RANGE: -20°C TO +80°C
 DIELECTRIC WITHSTANDING VOLTAGE:
 500V AC FOR ONE MINUTE
- HOW TO ORDER: CBx-P2xxSM
 - 02 - 2 PIN 07 - 7 PIN
 - 03 - 3 PIN 08 - 8 PIN
 - 04 - 4 PIN 10 - 10 PIN
 - 05 - 5 PIN 12 - 12 PIN
 - 06 - 6 PIN

P - CURRENT RATING 10A
 D - CURRENT RATING 5A
 N - CURRENT RATING 2A



5	OVERMOLD	PVC or PU.	BLACK	1	
4	LOCK NUT	NYLON+GF	BLACK	1	
3	O-RING	NBR.	BLACK	1	
2	CONTACT	Brass ,Female Pin. 6u" Gold Plated.		N	
1	CONNECTOR	B Size Female Connector Insert, NYLON+GF.	BLACK	1	
No.	PART NAME	DESCRIPTION	COLOR	Q'TY	REMARKS

HOLIN[®] HTP ASIA TECHNOLOGY CO., LTD.
 禾凌科技股份有限公司

	UNIT: mm	TITLE :	Circular B Size Screw Type Female Connector Female Pin Molded Cable
SCALE	1:1	P/N:	CBx-P2xxSM
UNLESS OTHERWISE SPECIFIED TOLERANCES: .x ± 0.25 .xx ± 0.1 .xxx ± 0.05 ANGLE ± 1°		DWG.NO:	CBx-P2xxSM
REV.	A	SHEET	1/1
		DR.	Patty
		CH.	ERIC
		AP.	