

SIGN	DATE	DESCRIPTION	APPROVER
△	2011.08.24	The dimension is changed from 15.24mm to 15.00±0.20mm	Aaron
△	2011.08.24	The dimension are added	Aaron
△	2011.08.24	The dimension is changed from 15.24mm to 15.00mm	Aaron

THIS IS CAD DRAWING, DO NOT REVISE MANUALLY!!!

**Material**

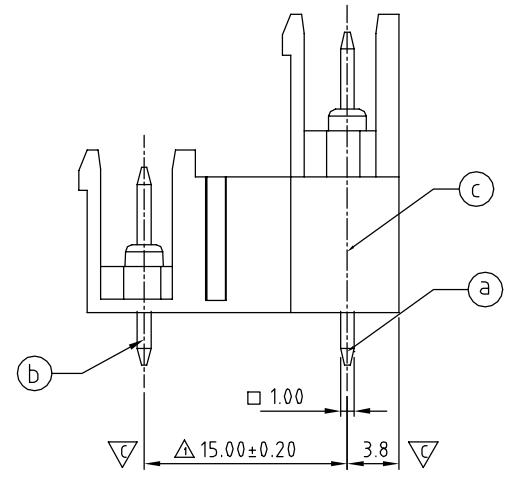
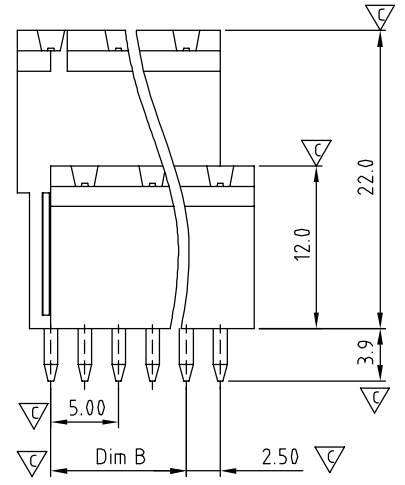
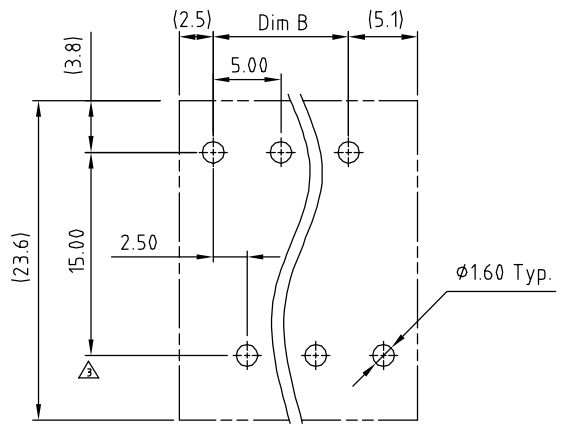
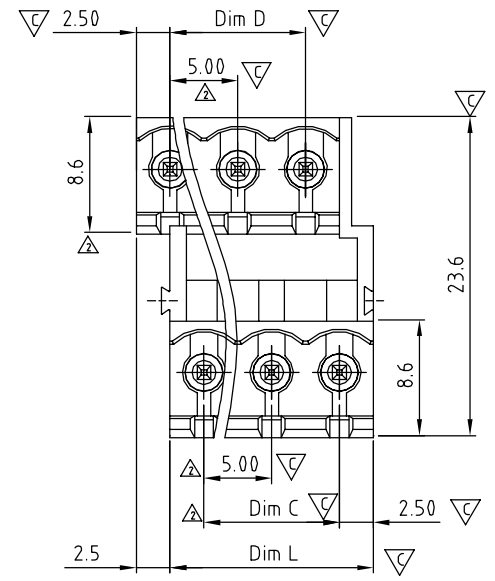
- Item (a) Short male Contact pin: Copper ,Tin plated
- Item (b) Long male Contact pin: Copper ,Tin plated
- Item (c) Terminal (housing): Thermoplastic (UL94V-0)

**Electrical**

- Voltage rating: 300VAC
- Current rating: 10A
- Withstanding Voltage: 1.6KV
- Operating temperature: -40°C to +115°C
- Soldering temperature: 250°C±10°C/5 Sec
- Safety Approval: us
- Critical dimension: ▽

**VF xx 70 x 0 xxxx G**

Poles	←	VF xx 70 x 0	→	RoHS
04 2×2Poles				Pb<40,000ppm
06 2×3Poles				0000 Standard @ Logo
...				000A Standard ANY Logo
48 2×24Poles				Any special item by customer request, please contact sales department.
		Color		
		0 Black (RAL9005)		
		2 Red (RAL3001/D)		
		3 Orange(RAL2011/P)		
		4 Yellow(RAL1018/A)		
		5 Green(RAL6018/T)		
		6 Blue (RAL5015/A)		
		8 Grey(RAL7035/D)		
		9 White(RAL1102)		
		C Green(RAL6018/U)		



N=NUMBER OF CONTACTS

Dimension		TOL				
		2×2P-2×5P	2×6P-2×10P	2×11P-2×15P	2×16P-2×20P	2×21P-2×24P
Dim L	N/2×5.0	±0.15	±0.20	±0.25	±0.30	±0.35
Dim B	(N/2-1)×5.0	±0.15	±0.20	±0.25	±0.30	±0.35
Dim C	(N/2-1)×5.0	±0.15	±0.20	±0.25	±0.30	±0.35
Dim D	(N/2-1)×5.0	±0.15	±0.20	±0.25	±0.30	±0.35

<b>ANYTEK</b>				<b>CUSTOMER COPY</b>			
<small>ALL RIGHTS RESERVED. REPRODUCTION OR ISSUE TO THIRD PARTIES IN ANY FORM WHATSOEVER IS NOT PERMITTED WITHOUT WRITTEN AUTHORITY FROM THE PROPRIETOR. PROPERTY OF ANYTEK TECHNOLOGY CO., LTD</small>							
TITLE	VF-5.00 Series 2×2P-2×24P ( Open ) Vertical						
PART NO.	VFxx70x0xxxxG			DWG NO.	8VF0004		
APPROVED	CHECKED	DESIGNED	DRAWN	CUST NO.	Tolerance		
		Aaron 2011.08.24	Chen Bo 2011.02.21		UNIT: mm	X.	±0.50
					SCALE: NONE	X.X	±0.30
				SHEET: 01/01	REV.: C	X.XX	±0.10
						X°	±1°