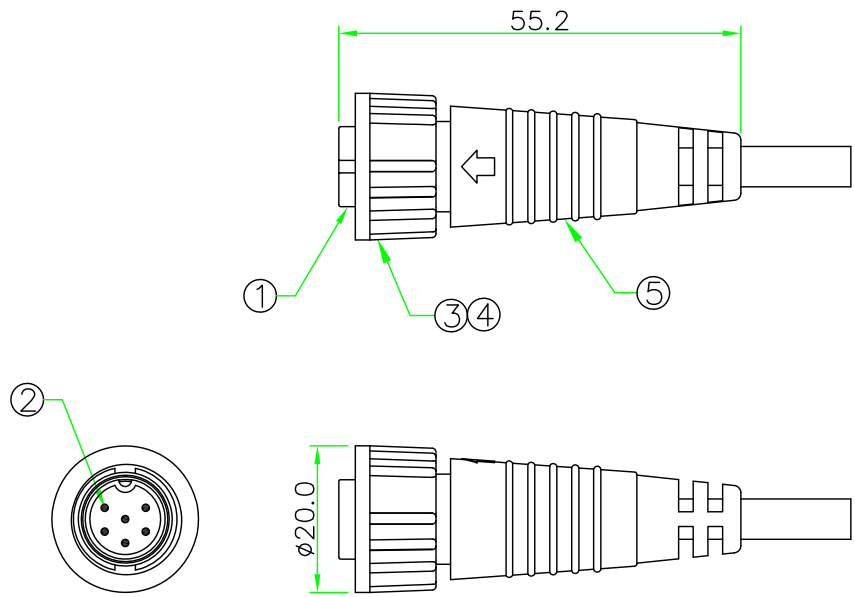


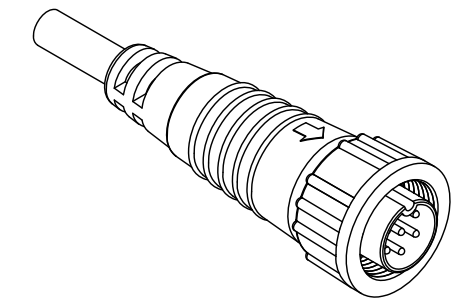
RoHS

IP66-68



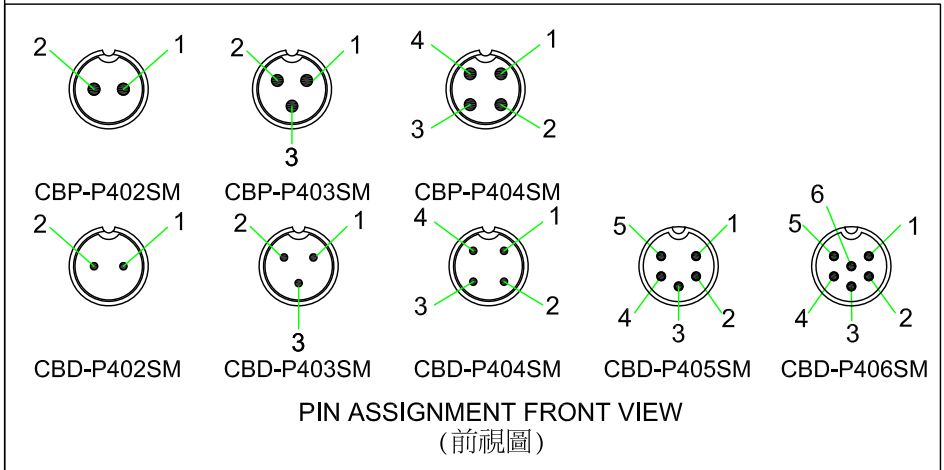
REV.	DESCRIPTION	DATE
A	ISSUE	May/20/2015

Ref.



- NOTES:
- ELECTRICAL CHARACTERISTICS:
 CURRENT RATING: 5A / 10A
 CONNECTOR TEMPERATURE RANGE: -20°C TO +80°C
 DIELECTRIC WITHSTANDING VOLTAGE:
 500V AC FOR ONE MINUTE
 - HOW TO ORDER: CBx-P4xxSM

- 02 - 2 PIN
 - 03 - 3 PIN
 - 04 - 4 PIN
 - 05 - 5 PIN
 - 06 - 6 PIN
- P - CURRENT RATING 10A
 D - CURRENT RATING 5A



5	OVERMOLD	PVC or PU.	BLACK	1	
4	LOCK NUT	NYLON+GF.	BLACK	1	
3	O-RING	SILICON	BLACK	1	
2	CONTACT	Brass ,Male Pin. 6u" Gold Plated.		N	
1	CONNECTOR	B Size Female Connector Insert, NYLON+GF.	BLACK	1	
No.	PART NAME	DESCRIPTION	COLOR	Q'TY	REMARKS

HOLIN® HTP ASIA TECHNOLOGY CO., LTD.
 禾凌科技股份有限公司

	UNIT: mm	TITLE :	Circular B Size Screw Type Female Connector Male Pin Molded Cable
SCALE	1:1	P/N:	CBx-P4xxSM
UNLESS OTHERWISE SPECIFIED TOLERANCES: .x ±0.25 .xx ±0.1 .xxx±0.05 ANGLE ±1°		DR.	Patty
REV.	SHEET	CH.	ERIC
A	1/1	AP.	
		DWG.NO:	CBx-P4xxSM