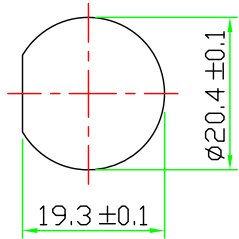


PROPRIETARY AND CONFIDENTIAL
 THE INFORMATION CONTAINED IN THIS DRAWING IS THE SOLE PROPERTY OF HTP ASIA TECHNOLOGY CO., LTD. .
 ANY REPRODUCTION IN PART OR AS A WHOLE WITHOUT THE WRITTEN PERMISSION OF HTP ASIA TECHNOLOGY CO., LTD. IS PROHIBITED.

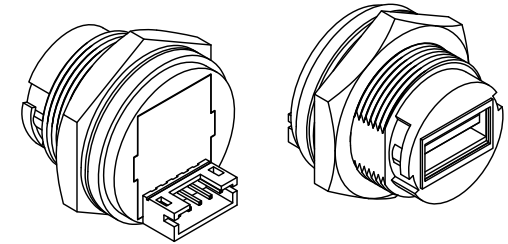
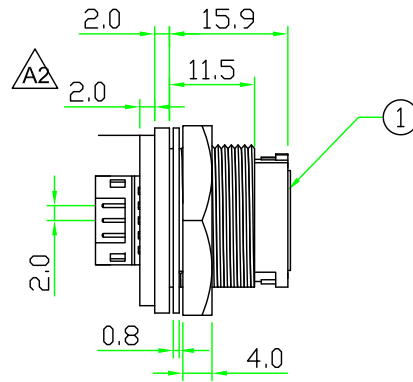
RoHS

IP66~68

REV.	DESCRIPTION	DATE
A	ISSUE	Jan/10/2013
A1	Add Note	Oct/01/2014
A2	Change length	Jan/27/2015

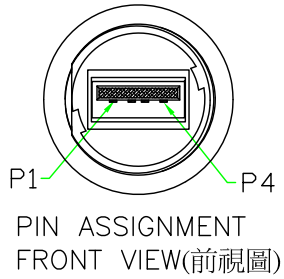


RECOMMENDED
PANEL CUT OUT

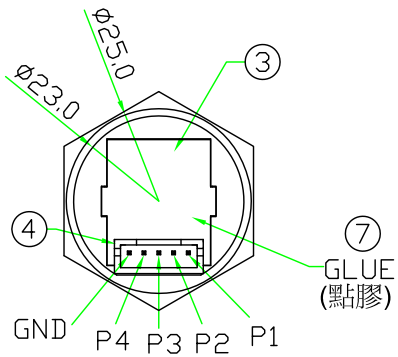


NOTES:

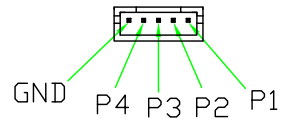
1. Current Rating: 1A
2. Connector Temperature Range: -25°C to 85°C
3. Contact Resistance: ≤30mΩ
4. Insulation Resistance: ≥100MΩ
5. Breakdown Voltage: ≥AC 500V/1 Minute
6. Panel Thickness Max. 6.0 mm



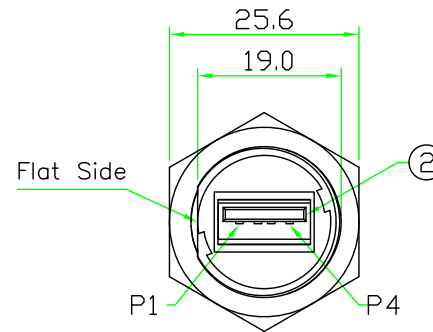
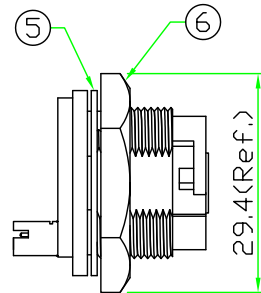
PIN ASSIGNMENT
FRONT VIEW(前視圖)



REAR VIEW
A1 (後視圖)



PIN ASSIGNMENT
REAR VIEW(後視圖)



FRONT VIEW
A1 (前視圖)

7	GLUE	EPOXY.	BLACK		
6	HEX NUT	NYLON+GF.	BLACK	1	
5	GASKET	EPDM.	BLACK	1	
4	WAFER	PITCH 2.0mm, Straight Angle. 5P*1ROW.	WHITE	1	
3	PCB	FR4 . Double Side, 1.0mm Thickness.		1	
2	CONNECTOR	USB A Type Female Connector.		1	
1	BODY	USB A Type Female Connector Body. NYLON+GF.	BLACK	1	
No.	PART NAME	DESCRIPTION	COLOR	Q'TY	REMARKS

HOLIN® HTP ASIA TECHNOLOGY CO., LTD. 禾凌科技股份有限公司					
	UNIT: mm	TITLE : USB 2.0 A Type Female C Size Lock Type Circular Flange Panel 5 Pin Straight Wafer			
SCALE	1:1	P/N: USB2AC-L3C03		DR.	Patty
UNLESS OTHERWISE SPECIFIED TOLERANCES: .X ± 0.25 .XX ± 0.1 .XXX ± 0.05 ANGLE ± 1°		DWG.NO: USB2AC-L3C03		CH.	ERIC
REV.	A2	SHEET	1/1	AP.	