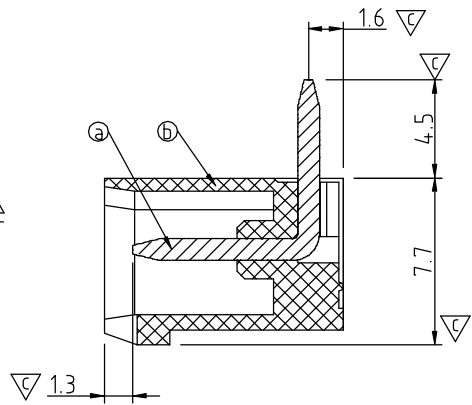
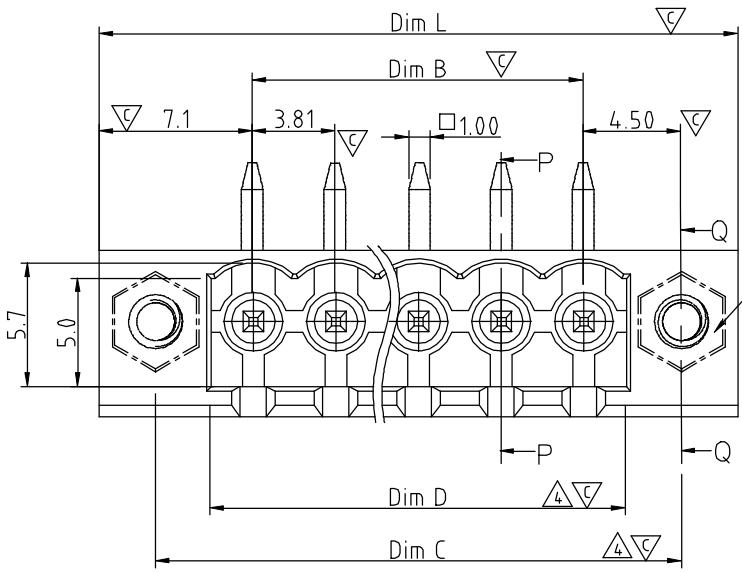
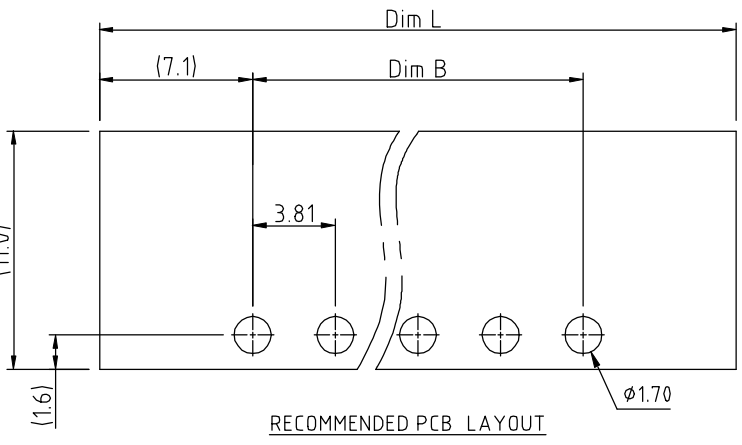


SECTION Q-Q



SECTION P-P



RECOMMENDED PCB LAYOUT

N=Number of contacts

Dim L	NX3.81+10.39	
Dim B	(N-1)X3.81	
Dim C	(N-1)X3.81+9.0	
Dim D	(N-1)X3.81+3.9	

Poles	Dim B	Dim L & C	Dim D
2~5P	±0.10	±0.15	+0.35 -0
6~10P	±0.15	±0.20	
11~15P	±0.20	±0.25	
16~24P	±0.25	±0.35	

SIGN	DATE	DESCRIPTION	APPROVER
△	1/27/07	Soldering temperature changed from 245° to 250°	Tony
△	2009.12.04	The operating temperature is changed from -30°, +105° to -40°, +115°	Jacke
△	2009.12.04	The design is changed from the round hole to hexagonal hole.	Jacke
△	04/28/12	The dimension C & D are added	Chen Bo
△	04/28/12	Flange nut is changed	Chen Bo
△	04/28/12	Add the cutaway view	Chen Bo
△	04/28/12	The Material is changed	Chen Bo
△	10/10/13	Update the drawing	Chen Bo

THIS IS CAD DRAWING, DO NOT REVISE MANUALLY!!!

Material:

- Item ① Contact pin: Copper, Tin plated
- Item ② Terminal(housing): Thermoplastic (UL94V-0)
- Item ③ With flange nut: Brass ,M2.5

Electrical:

- Voltage rating: 300V
- Current rating: 8A
- Withstanding Voltage: 1.6 KV
- Operating temperature: -40°C to +115°C
- Soldering temperature: 260°C±5°C/5 Sec
- Safety Approval:
- Critical dimension:

VE xx 3 2 x 1 xxxx G

- No. OF POLES: 02: 2 POLES, 24: 24 POLES
- 0 Black (RAL9005)
- 2 Red (RAL3001/D)
- 3 Orange(RAL2011/P)
- 4 Yellow(RAL1018/A)
- 5 Green(RAL6018/T)
- 6 Blue (RAL5015/A)
- 8 Grey(RAL7035/D)
- 9 White(RAL1102)
- C Green(RAL6018/U)
- G RoHS compliant (lead<4%) In copper Alloy
- 0000: "@" Logo (Standard)
- 000A: "ANYTEK" Mark
- Any special item by customer request. please contact sales department.

ANYTEK				CUSTOMER COPY									
								<small>ALL RIGHTS RESERVED. REPRODUCTION OR ISSUE TO THIRD PARTIES IN ANY FORM WHATSOEVER IS NOT PERMITTED WITHOUT WRITTEN AUTHORITY FROM THE PROPRIETOR. PROPERTY OF ANYTEK TECHNOLOGY CO., LTD</small>					
TITLE		VE-3.81 Series 90° (with Flange)				PART NO.		VExx32x1xxxxG		DWG NO.		8VE0006	
APPROVED		CHECKED		DESIGNED		DRAWN		CUST NO.		UNIT: mm SCALE: NONE SHEET: 01/01 REV.: G		Tolerance	
				Chen Bo 10/10/13		Chen Bo 10/10/13						X. ±0.50	
										X.XX ±0.10		X° ±1°	