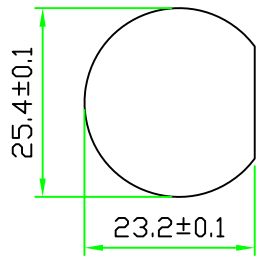
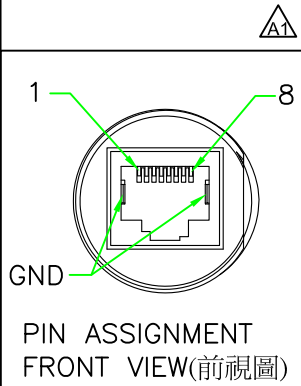
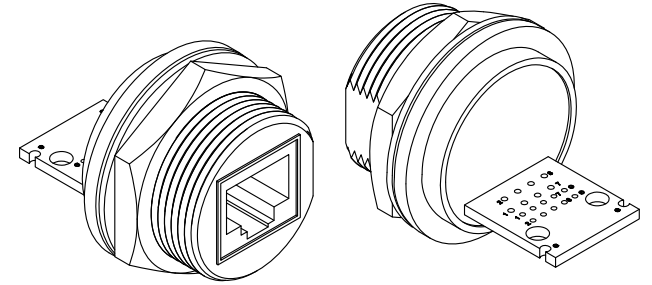
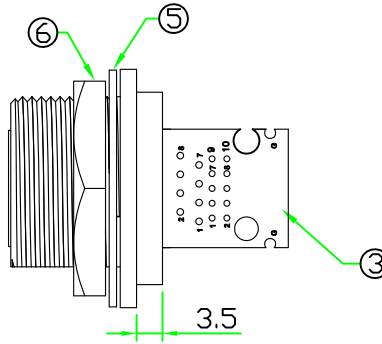


REV	DESCRIPTION	DATE
A	ISSUE	Mar/07/2014
A1	ADD PIN ASSIGNMENT	Nov/19/2014

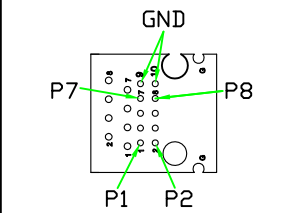
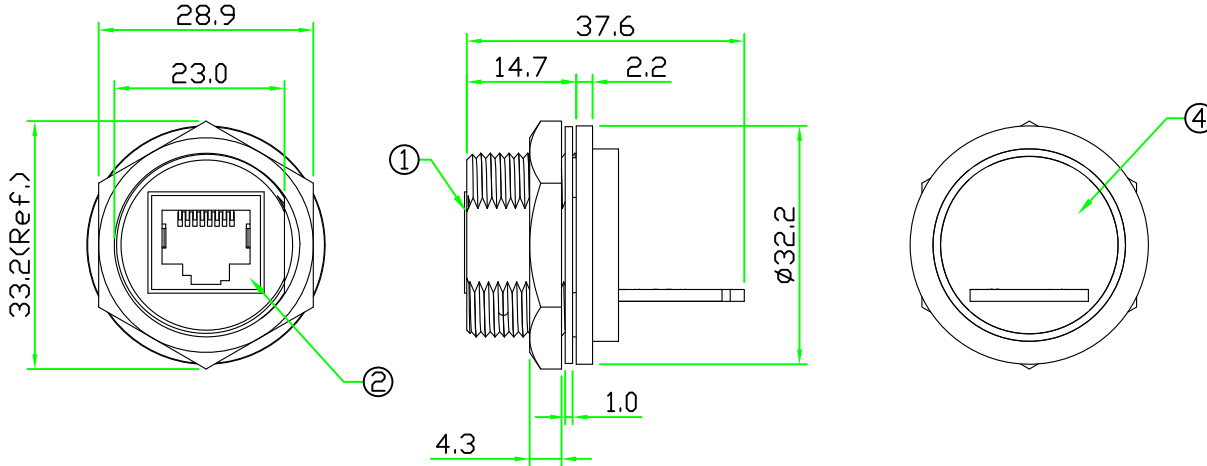


RECOMMENDED
PANEL CUT OUT

RoHS



PIN ASSIGNMENT
FRONT VIEW(前視圖)



PIN ASSIGNMENT
TOP VIEW(上視圖)

OLD P/N:RJ45D-PJC
(原型號)

NOTES:

1. Current Rating: 1A
2. Connector Temperature Range: -40°C to 85°C
3. Contact Resistance: ≤50mΩ
4. Insulation Resistance: ≥100MΩ
5. Breakdown Voltage: ≥AC 500V/1 Minute
6. Panel Thickness Max. 4.0

6	HEX NUT	NYLON+GF.	BLACK	1	
5	GASKET	EPDM.	BLACK	1	
4	GLUE	SEALED GLUE.	BLACK	1	
3	PCB	FR4, DOUBLE SIDE 1.6mm THICKNESS.		1	
2	RJ45 JACK	RJ45 JACK WITH SHIELD & FILTER. RIGHT ANGLE TYPE.		1	
1	CONNECTOR	RJ45 JACK D SIZE CONNECTOR INSERT. NYLON+GF.	BLACK	1	
No.	PART NAME	DESCRIPTION	COLOR	Q'TY	REMARKS

HOLIN® HTP ASIA TECHNOLOGY CO., LTD.
禾凌科技股份有限公司

	UNIT: mm	TITLE : RJ45 JACK D Size Panel Connector Rear Mount Screw Type Round Flange With PCB Bare Board	
SCALE	1:1	P/N: RJ45D-P3C10	DR. Patty
UNLESS OTHERWISE SPECIFIED TOLERANCES: .X ±0.25 .XX ±0.1 .XXX±0.05 ANGLE ±1°			CH. ERIC
REV. A1	SHEET 1/1	DWG.NO: RJ45D-P3C10	AP.