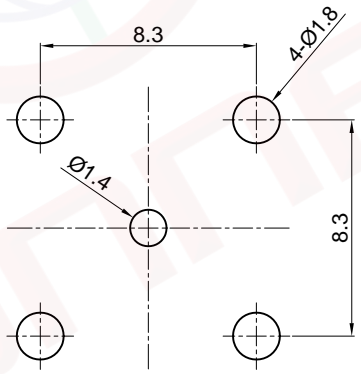
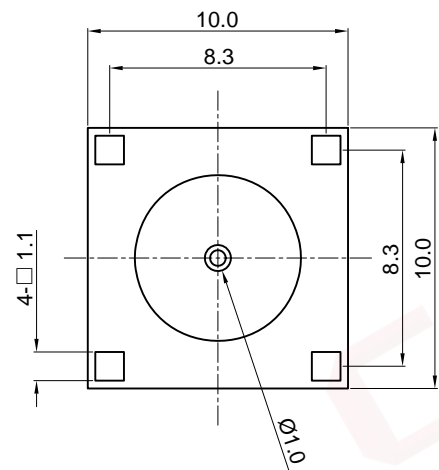
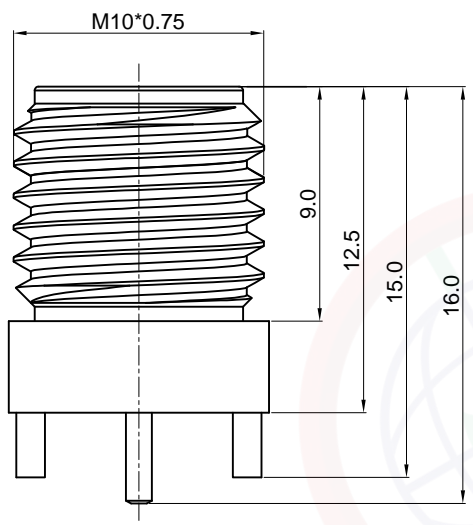


Dept	Qty
DC	1
ED	1
IE	1
ISO	1
PD	1
R&D	1
SD	1
QA	1
QC	1
QE	1

The information provided herein is from CONNELY Electronic Co., Ltd. and is confidential. Any disclosure to a party other than the recipient is prohibited. The intellectual properties and its rights of CONNELY Electronic Co., Ltd. are reserved. This drawing is for reference only and does not constitute authorization of its use or modification. All intellectual properties provided herein are for reference purposes only and does not constitute authorization of its use or modification. CONNELY may enforce its intellectual property rights at its own discretion; failures or delays to exercise such rights does not constitute a waiver of such rights.



Recommend PCB Layout
Tolerance=±0.05mm



(Series Image-Reference Only)

REV.	DESCRIPTION	DRAWN	CHECKED	APPROVED
A	NEW RELEASE	JLZ 04/12/22'		

Notes:

- Materials:
 - Contact: Copper Alloy, Silver Plated.
 - Shell: Copper Alloy, Nickel Plated.
 - Insulator: PTFE, White.
- Specifications:
 - Contact Resistance: 10mΩ max.
 - Insulation Resistance: 1000MΩ min.
 - Dielectric Withstanding Voltage: 500V min.
 - Temperature Range: -40~+125°C.
 - Impedance: 50Ω.
 - Operating Cycles: 300 Cycles min.
- Product Number Code:

DS1158-06 - X X X X X X X

- X Packing type
- T: Tray
- X Contact plating
- S: Silver
- X Housing color
- W: White
- X Shell plating
- N: Nickel
- X Mounting Type
- V: V/T type
- X Connector type
- S: Socket
- X No. of contacts
- 01

GENERAL TOLERANCE		ANGLE TOLERANCE		PROJECTION		TITLE	SMA Connector Socket Vertical Through Type L=15mm	
X.	±0.60	X.	±5°	UNITS	mm			
.X	±0.38	.X	±3°	SHEET SIZE	A4	SERIES	DS1158-06 SERIES	
.XX	±0.25	.XX	±2°	晨翔电子有限公司 CONNELY ELECTRONIC CO., LTD				
DRAWING TYPE		CUSTOMER						
SCALE	1:1	SHEET	1 OF 1					
DRAWING NO.		C-DS1158-06-XXXXXX-A						