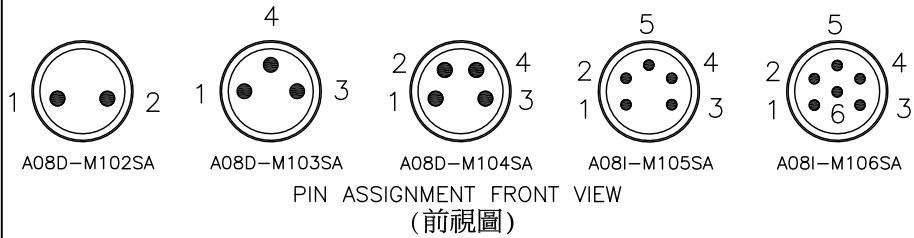
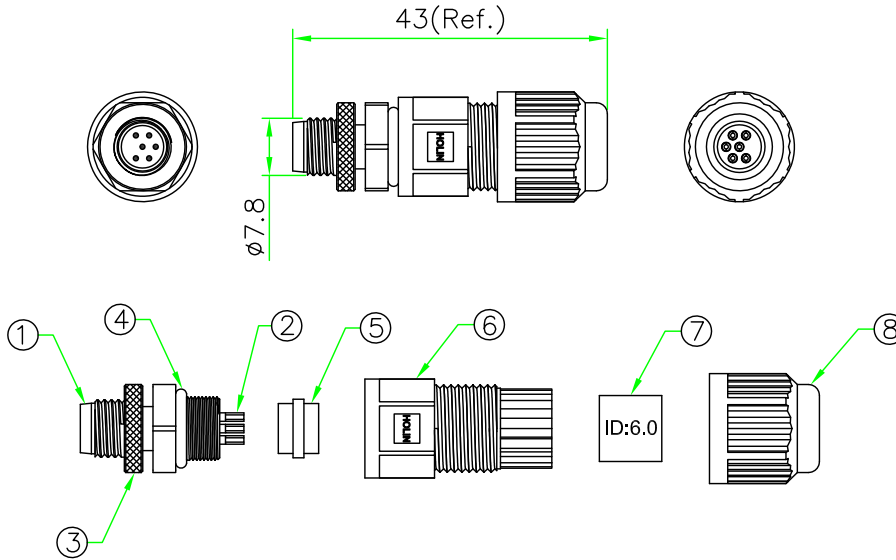
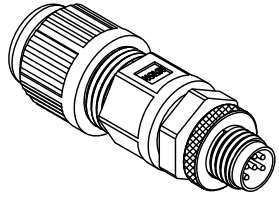


RoHS



8	CLAMP NUT	NYLON+GF.	BLACK	1	
7	TUBE	EPDM, (ID= 6.0mm.)	BLACK	1	
6	HOOD	NYLON.	BLACK	1	
5	GASKET	EPDM.	BLACK	1	
4	O-RING	VITON.	BLACK	1	
3	RING NUT	BRASS. Nickel Plated.		1	
2	CONTACT	BRASS. Male Pin. 6u" Gold Plated.		N	
1	CONNECTOR	M8 A-Coding Male Connector Insert. NYLON+GF.	BLACK	1	
No.	PART NAME	DESCRIPTION	COLOR	Q'TY	REMARKS

REV.	DESCRIPTION	DATE
A	ISSUE	Jul/17/2014

NOTES:

1. ELECTRICAL CHARACTERISTICS:

CURRENT RATING: 1.5A / 3A

CONNECTOR TEMPERATURE RANGE: -40°C TO +105°C

DIELECTRIC WITHSTANDING VOLTAGE:

500V AC FOR ONE MINUTE

2. HOW TO ORDER: A08x-M1xxSA

02 - 2 PIN

03 - 3 PIN

04 - 4 PIN

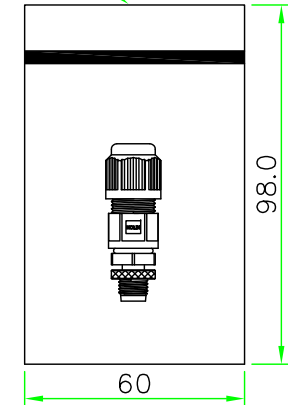
05 - 5 PIN

06 - 6 PIN

D - CURRENT RATING 3A

I - CURRENT RATING 1.5A

#2 Zipper PE Bag.



HOLIN® HTP ASIA TECHNOLOGY CO., LTD.
禾凌科技股份有限公司

	UNIT: mm	TITLE : M8 A-Coding Male Connector Male Pin Field Installable Plug	DR. Patty CH. ERIC
	SCALE		
UNLESS OTHERWISE SPECIFIED TOLERANCES: .x ± 0.25 .xx ± 0.1 .xxx ± 0.05 ANGLE ± 1°		P/N: A08x-M1xxSA	AP.
REV. A	SHEET 1/1		