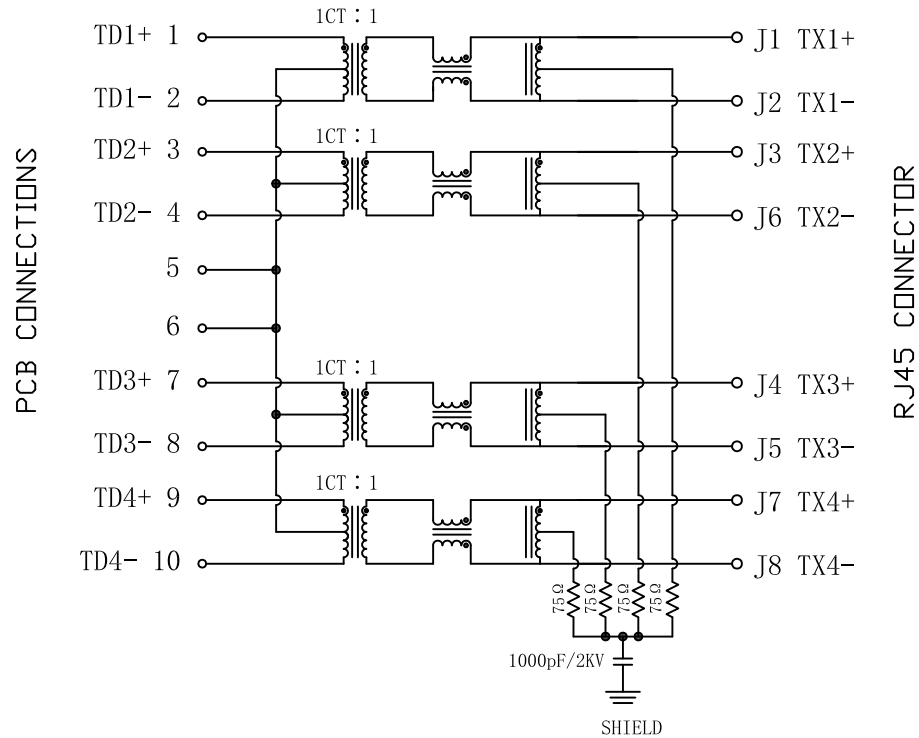


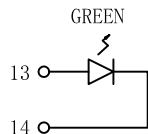
Schematic:

REV.	ECN NO.	DESCRIPTION	DATE	APPD
A	REL		2010/07/21	



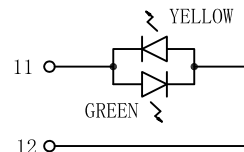
ELECTRICAL SPECIFICATIONS @25°C

- Turn Ratio($\pm 2\%$):
Pri : Sec = 1CT : 1
- Inductance OCL: 350uH MIN
@100KHz, 0.1V, 8mA DC Bias
- Insertion Loss:
-1.0dB MAX @ 1~100MHz
-1.2dB MAX @ 100~125MHz
- Return Loss(@100Ω):
-18dB MIN @ 1~30MHz
-16dB MIN @ 30~60MHz
-12dB MIN @ 60~80MHz
-10dB MIN @ 80~100MHz
- Cross talk:
-30dB MIN @ 1~100MHz
- Common Mode Rejection:
-30dB MIN @ 1~100MHz
- Hipot Test: 1500Vrms MIN
- Operating Temperature: 0 to 70°C.



RIGHT LED

LED POLARITY		COLOR
PIN 13	PIN 14	
+	-	GREEN



LEFT LED

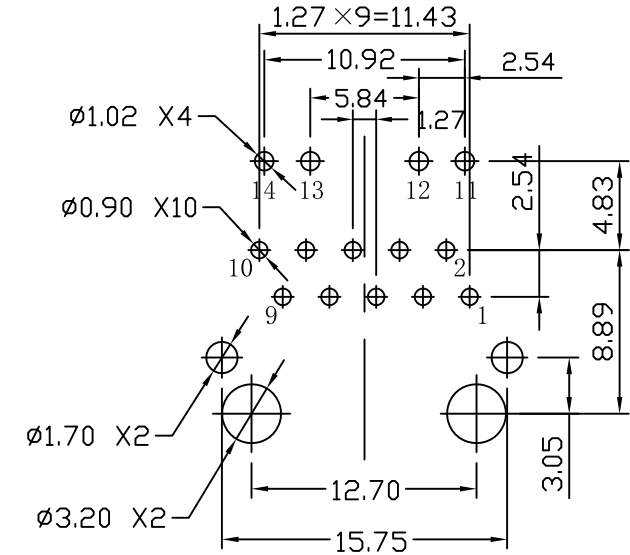
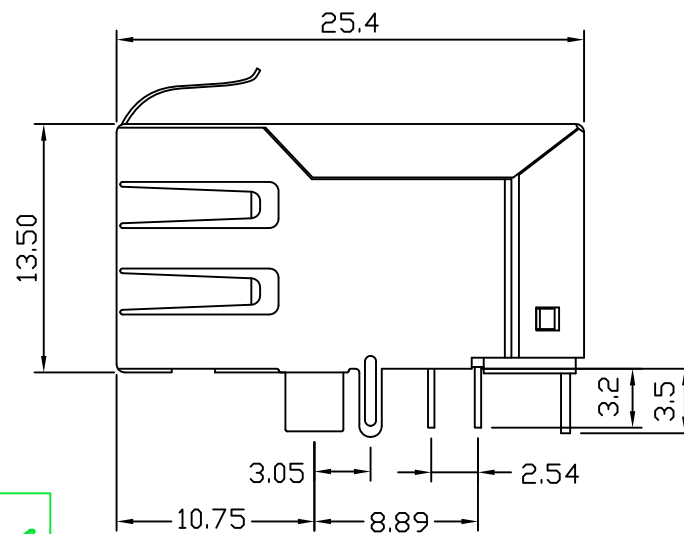
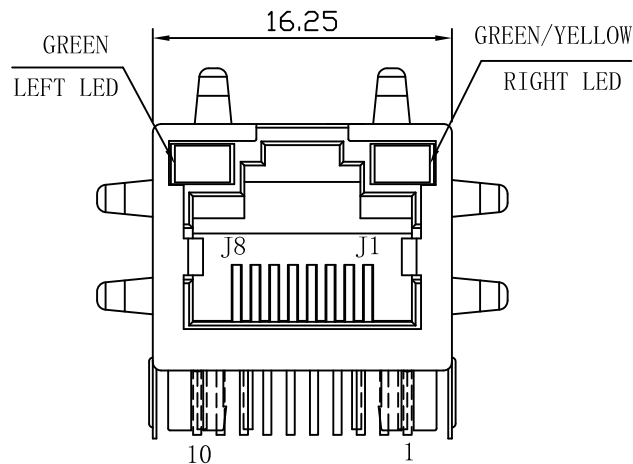
LED POLARITY		COLOR
PIN 11	PIN 12	
+	-	GREEN
-	+	YELLOW

Emitting Color	λ p(nm)	VF@IF=20mA	IR @VR=5V
GREEN	565	1.8~2.6V	10 μ A max
YELLOW	585	1.8~2.6V	10 μ A max

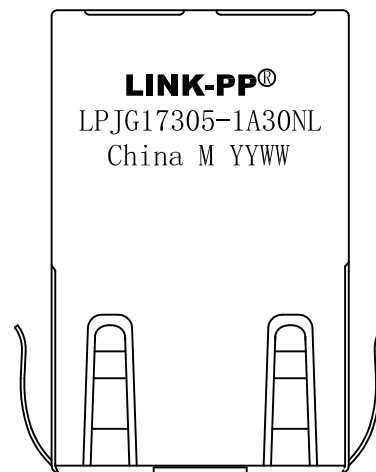
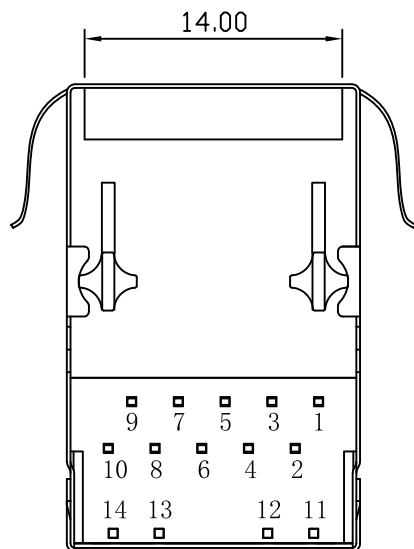
X:X	± 0.30	APPD:	LINK-PP INT'L TECHNOLOGY CO., LIMITED	
X:XX	± 0.25	CHKD:	TITLE: RJ45 Connector with 1000 Base-T Integrated Magnetics	
X:XXX	± 0.05	DR: TOM		
ANGLES	$\pm 1^\circ$	UNIT: mm	PART NO.: LPJG17305-1A30NL	
	SCALE: 2/1	SHEET: 1/2	REV: A	DWG NO.: LP10072168

Mechanical:

REV.	ECN NO.	DESCRIPTION	DATE	APPD
A	REL		2010/07/21	



SUGGESTED PCB LAYOUT (TOP VIEW)



Top Side View

NOTES:

1. Designed to support application, such as SOHO (ADSL modems), LAN-on-Motherboard (LOM), hub and Switches.
2. Meets IEEE 802.3 specification
3. Connector Materials:
Housing: Thermoplastic PBT+30%G.F UL94V-0
Contact: Phosphor Bronze C5210R-EH Thickness=0.35mm
Pins: Brass C2680R-H Thickness=0.35mm
Shield: SUS 201-1/2H Thickness=0.2mm
Contact plating: Gold 6 micro-inches min. In contact area.
4. Wave solder tip temperature: 265°C Max, 5 Sec.
5. UL Certification: File Number E484635.

X:X ±0.30	APPD:	LINK-PP INT'L TECHNOLOGY CO., LIMITED
X:XX ±0.25	CHKD:	
X:XXX ±0.05	DR: TOM	TITLE: RJ45 Connector with 1000 Base-T Integrated Magnetics
ANGLES ±1°	UNIT: mm	PART NO.: LPJG17305-1A30NL
	SCALE: 2/1	SHEET: 2/2
	REV: A	DWG NO.: LP10072168