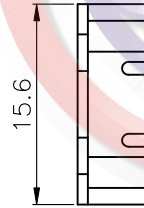
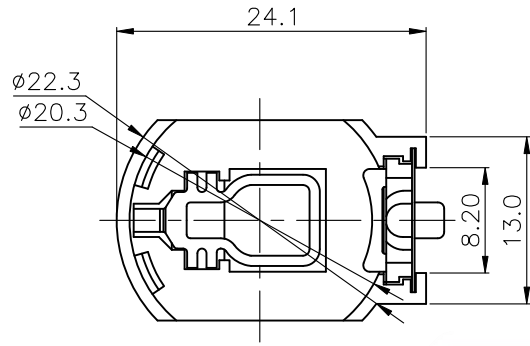


REV.	DESCRIPTION	DRAWN	CHECKED	APPROVED
A	NEW RELEASE	YCH 08/07/12'	~	LJC 08/07/12'
B	DRAWING ARRANGEMENT	JLZ 10/30/15'	HZW 10/30/15'	LJC 10/30/15'
C	DRAWING UPDATE	JLZ 06/10/17'	~	



NOTE:

1. Materials:

1.1 Base: Thermoplastic, UL94 V-0, Color of black.
Temp. Range: -40°C to +105°C.

1.2 Positive & Negative Contacts: Copper Alloy.

2. Specification:

2.1 Dielectric Withstanding Voltage: AC 500V AC.

2.2 Insulation Resistance: 1000MΩ min.

2.3 Contact Resistance: 100mΩ Max.

3. Part Number Code:

DS1092-11 - X X X

Housing material:

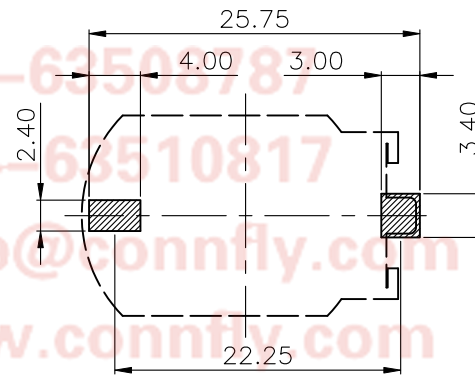
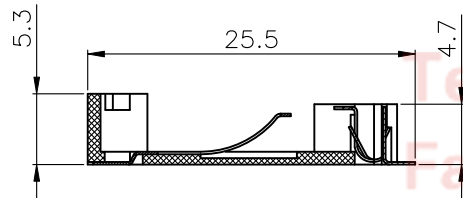
S: PPS

Contact plating:

8: Gold Flash

Housing color:

N: Brown



Recommend PCB Layout
Tolerance=±0.05

GENERAL TOLERANCE		ANGLE TOLERANCE		PROJECTION		TITLE	2032 Lithium Coin Cell Battery Holders Horizontal insert SMT type			
X.	±0.60	X.	±5°	UNITS	mm					
.X	±0.38	.X	±3°	SHEET SIZE	A4	SERIES	DS1092-11 Series			
.XX	±0.25	.XX	±2°			晨翔电子有限公司 CONNFLY CONNFLY ELECTRONIC CO. LTD				
DRAWING TYPE		CUSTOMER								
SCALE	1:1	SHEET	10F1							
DRAWING NO.		C-DS1092-11-XXX-C								