

SIGN	DATE	DESCRIPTION	APPROVER
△	11/29'13	Add is cULus //// update the drawing	Da cheng
△			

THIS IS CAD DRAWING, DO NOT REVISE MANUALLY!!!

Material

- Item a Terminal Body: Thermoplastic (UL94V-0)
- Item b Female contact: Phbz, Tin plated
- Item c Wire guard: Stainless Steel
- Item d Insulating spacer :Thermoplastic (UL94V-0)
- Item e Terminal Cover: Thermoplastic (UL94V-0)

- △ Electrical cULus
- Voltage rating: 300V
 - Current rating: 10A
 - Wire range:
 - Solid wire(AWG): 14-26
 - Stranded wire(AWG): 14-26
 - Wire strip length: 10~11mm
 - Withstanding Voltage: 1.6KV
 - Operating temperature: -40°C to +115°C
 - △ Safety Approval: **ULus**
 - Critical dimension: ∇

HN xx 1 0 x 0 xxxx G

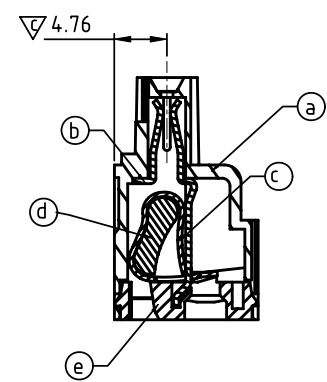
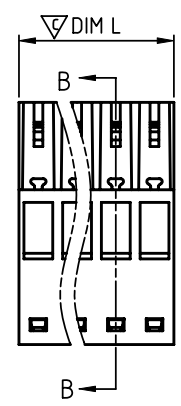
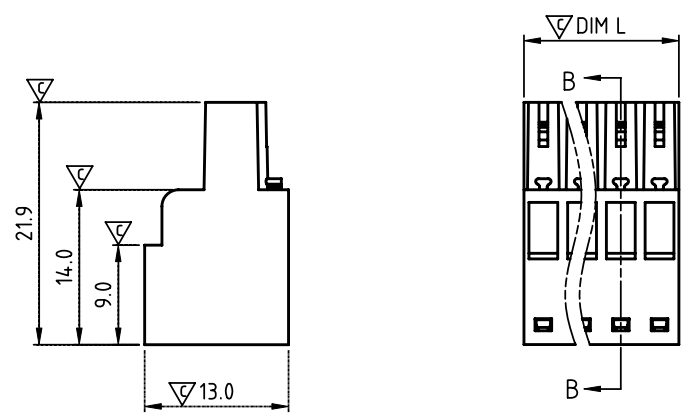
No. OF POLES
 02 2 CONTACTS
 03 3 CONTACTS

 24 24 CONTACTS

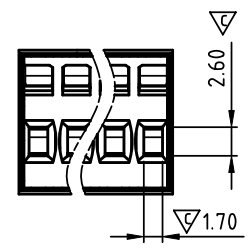
- △ Color
- 0 Black (RAL9005)
 - 2 Red (RAL3001/D)
 - 3 Orange(RAL2011/P)
 - 4 Yellow(RAL1018/A)
 - 5 Green(RAL6018/T)
 - 6 Blue (RAL5015/A)
 - 8 Grey(RAL7035/D)
 - 9 White(RAL1102)
 - C Green (RAL 6018/U)

RoHS compliant
 (lead<4%)
 In copper Alloy

0000: "@ " Logo (Standard)
 000A: "ANYTEK" Mark
 Any special item by
 customer request.
 please contact sales
 department.



SECTION B-B



DIMENSION

DIM L	Nx3.5
DIM P	(N-1)x3.5

N=Number of contacts

Poles	Tolerance	DIM L	DIM P
2pole~6pole		±0.15	±0.15
7pole~12pole		±0.20	±0.20
13pole~18pole		±0.25	±0.25
19pole~24pole		±0.30	±0.30

<h1>ANYTEK</h1>		CUSTOMER COPY	
ALL RIGHTS RESERVED. REPRODUCTION OR ISSUE TO THRD PARTIES IN ANY FORM WHATEVER IS NOT PERMITTED WITHOUT WRITTEN AUTHORITY FROM THE PROPRIETOR. PROPERTY OF ANYTEK TECHNOLOGY CO., LTD			
TITLE	HN 3.5 (2P-24P) series without fiange		
PART NO.	HNxx10x0xxxxG	DWG NO.	8HN0101
APPROVED	CHECKED	DESIGNED	DRAWN
		Da cheng 2013.11.29	Da cheng 2013.11.29
SHEET: 01/01		UNIT: mm	Tolerance
		SCALE: NONE	X. ±0.50
		REV.: C	X.X ±0.30
			X.XX ±0.10
			X° ±1°