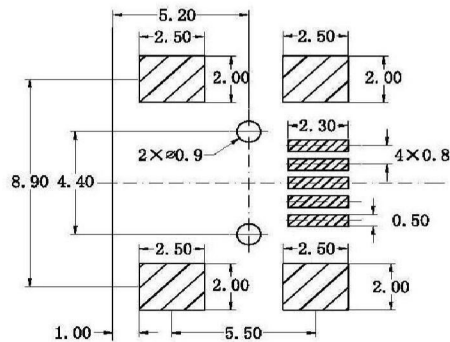
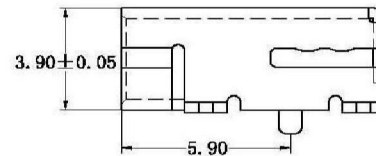
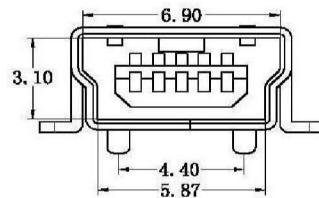
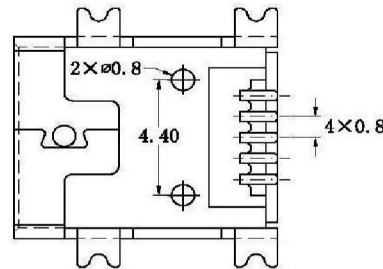
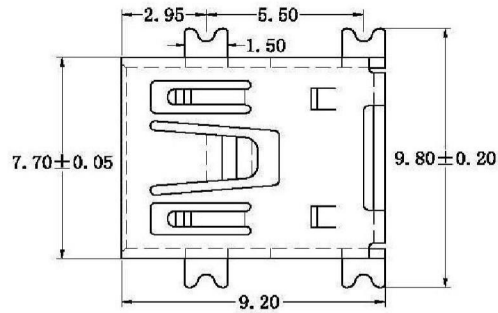


RoHS

REV	DATE	DETAILS



RECOMMENDED PCB LAYOUT

Specifications:

Electrical:

1. Current Rating 1.0A/contact terminal
2. Voltage Rating 30V DC
3. Contact Resistance 50 milliohms MAX
4. Dielectric Withstanding Voltage: 300 V AC AT Sea Level
5. Insulation Resistance: 100MEGA ohms MIN

Mechanical:

1. Connector Mate and Unmate Force
Mate force: 3.0kgf (MAX)
Unmate force: 0.7kgf (MIN)
2. Terminal Retention 0.5kgf (MIN)

Material:

1. Housing:
Hing Temperature Thermoplastics,
UI 94V-0 LCP Black
 2. Contact: Copper Alloy C2680/C5191
 3. Shell: Copper Alloy C2680
- Finish:**
1. Contact: Plated Gold in Mating Area;
Tin On Solder Tails
 2. Shell: Nickel Plating

HOW TO ORDER

MUSB-05BFDDDB1

- | | |
|---|--|
| 1. Series No.:
MUSB | 4. Insulator Color:
D: Black Color |
| 2. Product:
05: 5P
BF: B/F SMT | 5. Package:
B1: Tape & Reel Package |
| 3. Contact Plating:
D: Gold Plated 30U | |

JIA YI ELECTRONIC CO., LTD

APPROVED	CHECKED	DRAWN BY	UNIT	TOLARANCE	ITEM NUMBER	PART NAME	REV
NICK	ERIC	JACK	mm	×.± 0.5 .X ± 0.3 .XX ± 0.2 .XX ± 0.1	MUSB-05BFDDDB1	Mini USB 5P B/F SMT Selective Gold Reel+Mylar Packing	
			SCALE				PAGE NO
			NOT				1 / 1