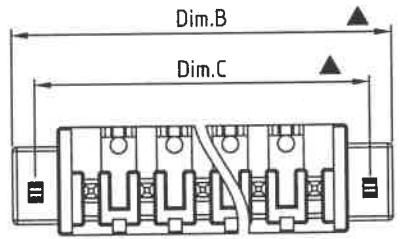
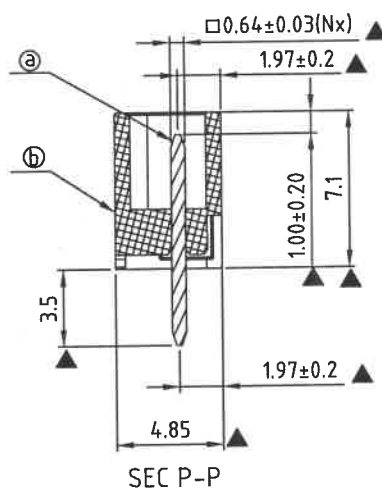
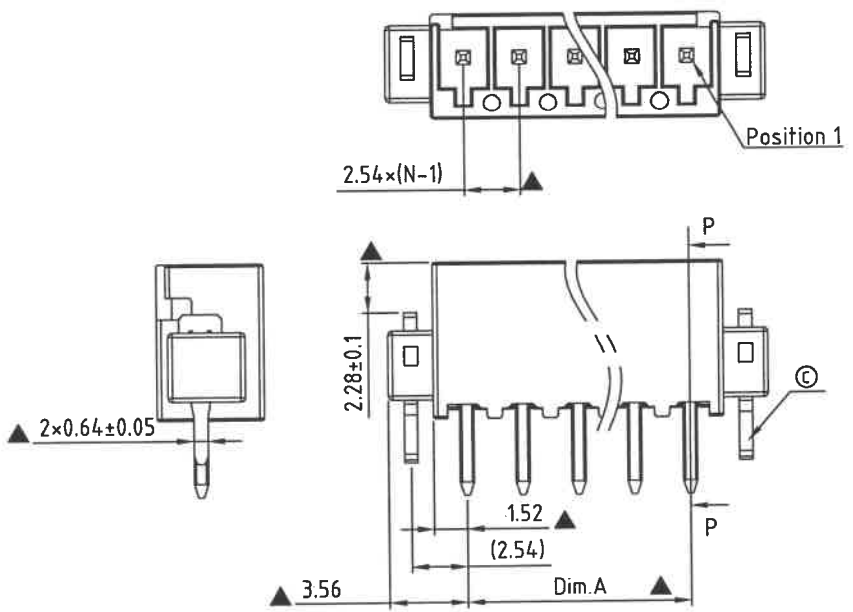


RoHS Compliant

| REV | SIGN | DATE | DESCRIPTION | APPROVER |
|-----|------|----------|-----------------|----------|
| B | | 04/01-20 | Initial release | Chen Bo |
| | △ | | | |

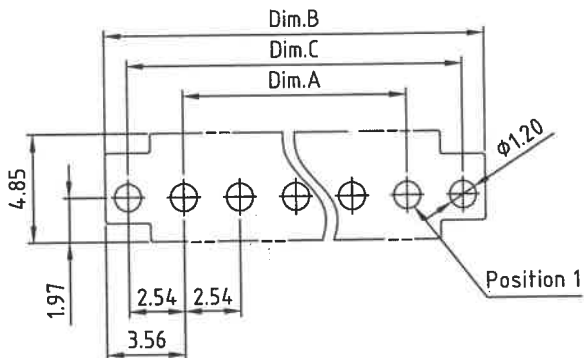
THIS IS CAD DRAWING, DO NOT REVISE MANUALLY!!!



N=Number of poles

| | |
|-------|-----------------|
| Dim A | (N-1)×2.54 |
| Dim B | (N-1)×2.54+7.12 |
| Dim C | (N-1)×2.54+5.08 |

| POLES | Tol | Dim. | Dim.A/B/C |
|--------|-----|------|-----------|
| 2p-5p | | | ±0.20 |
| 6p-16p | | | ±0.25 |



RECOMMENDED PCB LAYOUT

- Item ① Male contact pin: Copper
- Item ② Terminalhousing: PA66 (UL94V-0)
- Item ③ Register Pin: Brass ,Bright-tin plated over Nickel plated

- Electrical: cULus
- | | | |
|-------------------------------|-----------------|---------|
| | Group B | Group C |
| ● Voltage rating: | 150V | 50V |
| ● Current rating: | 6A | 6A |
| ● Withstanding Voltage: | 1.3KV | |
| ● Operating temperature: | -40°C to +115°C | |
| ● Wave soldering temperature: | 260°C±5°C/5 Sec | |
| ● Critical dimension: | ▲ | |
| ● Safety Approval: | cULus | |

How to order:

OQ xx C1 x x xxxx G

- No. OF POLES
02: 2 POLES
:
16: 16 POLES
- Color
0 Black (RAL9005)
2 Red (RAL3001/D)
3 Orange(RAL2011/P)
4 Yellow(RAL1018/A)
5 Green(RAL6018/T)
6 Blue (RAL5015/A)
8 Grey(RAL7035/D)
9 White(RAL1102)
C Green(RAL6018/U)
- RoHS compliant (lead<4%)
In copper Alloy
0000: "@ " Logo (Standard)
000A: "ANYTEK" Mark
Any special item by customer request. please contact sales department.
0:180° Au G/F plated
1:180° Bright-tin plated



Amphenol ANYTEK

CUSTOMER COPY

ALL RIGHTS RESERVED. REPRODUCTION OR ISSUE TO THIRD PARTIES IN ANY FORM WHATSOEVER IS NOT PERMITTED WITHOUT WRITTEN AUTHORITY FROM THE PROPRIETOR. PROPERTY OF ANYTEK TECHNOLOGY CO., LTD

| | | | | |
|--------------|---------------|---------------------------------------|----------|------------|
| TITLE | | OQ 2.54mm Series 2P-16P 180° THT type | | |
| PART NO. | OQxxC1xxxxxxG | DWG NO. | 80Q11005 | |
| APPROVED | CHECKED | DESIGNED | DRAWN | CUST NO. |
| | <i>Kunke</i> | Chen Bo | Chen Bo | |
| | | 04/01-20 | 04/04-19 | |
| SHEET: 01/01 | | | | Tolerance |
| | | | | X. ±0.50 |
| | | | | X.X ±0.30 |
| | | | | X.XX ±0.10 |
| | | | | X° ±1° |