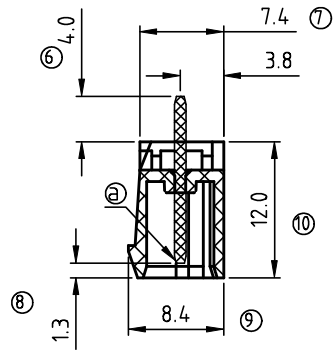
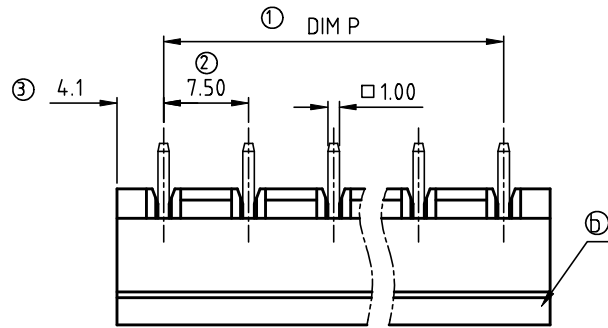


SIGN	DATE	DESCRIPTION	APPROVER
THIS IS CAD DRAWING, DO NOT REVISE MANUALLY!!!			

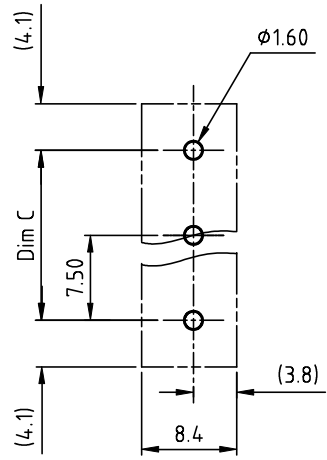
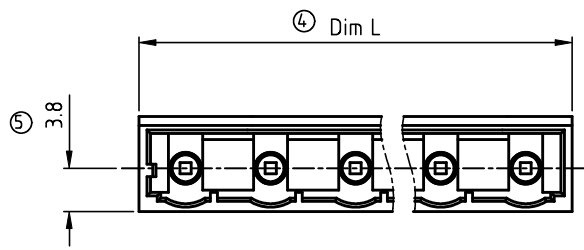


SECTION A-A

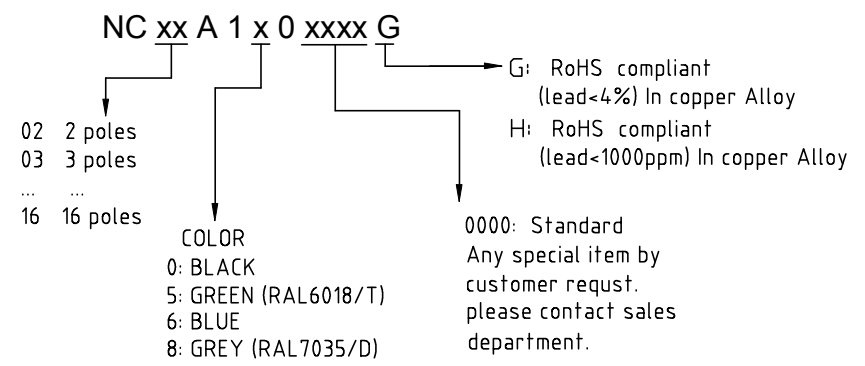
Material:

- Item a :Male contact pin: Copper Tin plated
- Item b :Terminal(housing): Thermoplastic (UL94V-0)

- Electrical: UL 1059
- Voltage rating: 300V
 - Current rating: 8A
 - Withstanding Voltage: 1.6 KV
 - Operating temperature: -40°C to +115°C
 - Soldering temperature: 260°C±5°C/5 Sec
 - Safety Approval: None



P.C.B LAYOUT



N = Number of poles
 Dim L=(N×7.5)+0.7
 Dim P=(N-1)×7.5

	Dim L	Dim P
2-6p	±0.10	±0.10
7-12p	±0.25	±0.20
13-16p	±0.40	±0.30

Amphenol ANYTEK				CUSTOMER COPY	
ALL RIGHTS RESERVED. REPRODUCTION OR ISSUE TO THIRD PARTIES IN ANY FORM WHATSOEVER IS NOT PERMITTED WITHOUT WRITTEN AUTHORITY FROM THE PROPRIETOR. PROPERTY OF ANYTEK TECHNOLOGY CO., LTD					
TITLE		NC 7.5mm Vertical Series			
PART NO.		NCxxA1x0xxxxG		DWG NO. 8NC0301	
APPROVED		CHECKED	DESIGNED	DRAWN	CUST NO.
			Runner	Runner	
			2010.11.03	2010.06.10	
				UNIT: mm	X. ±0.50
		SHEET: 01/01		SCALE: 2/1	X.X ±0.30
				REV.: B	X.XX ±0.10
					X° ±1°