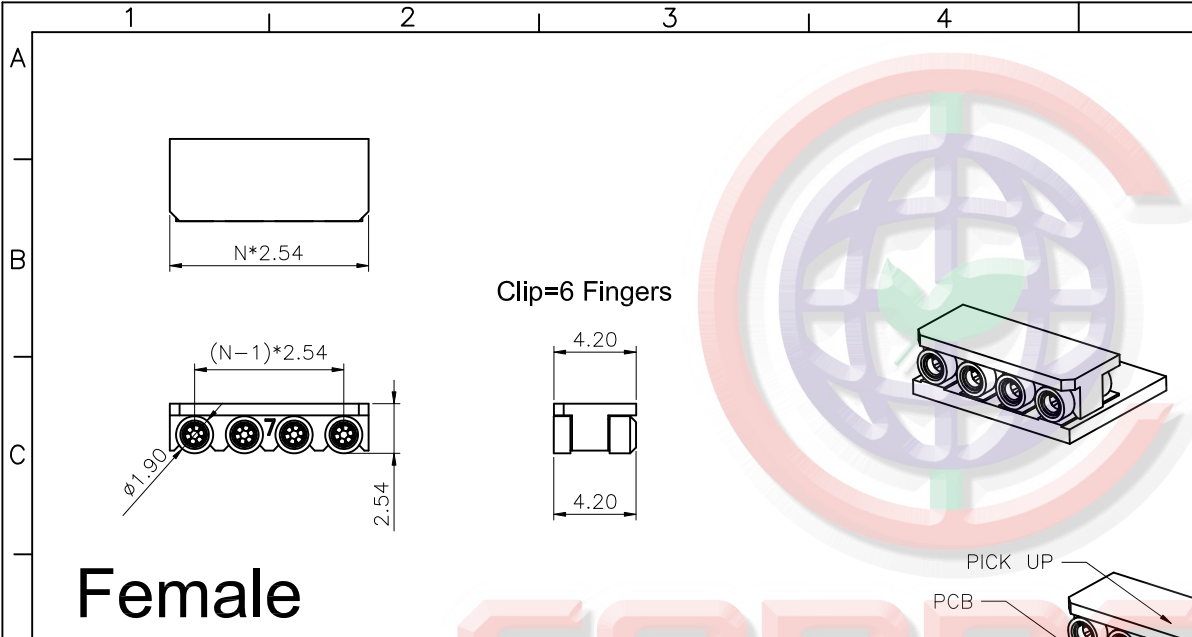


REV.	DESCRIPTION	DRAWN	CHECKED	APPROVED
A	NEW RELEASE	LJC 10/28/13'		LJC 10/28/13'
B	DRAWING UPDATE	JLZ 02/24/17'		

- NOTES:**
- Materials:**
 - Insulator: High Temperature 260°C, UL94-V0 (For White Only UL94-HB Rated). RoHS, REACH compliance.
 - Pin: Copper Alloy, Plating Tin or Gold.
 - Clip: Beryllium Copper, C17200, Full Gold plating.
 - Specifications:**
 - Temperature Range: -55~+125°C.
 - Contact Resistance: 10mΩ maximum.
 - Insulation Resistance: 1000MΩ minimum.
 - Dielectric Withstanding Voltage: 500V AC 1 minute.
 - Voltage Rating: 24V AC/DC.
 - Current Rating: 5A max per pin.
 - Application insert pin: $\varnothing 0.635 \sim \varnothing 0.889\text{mm}$.
 - Resistance to soldering heat: 260°C, 3-5seconds.
 - Durability: 1000 cycles min.

3. Product Number Code:
 DS1137-07 - X X X X X X

- Packing Type
R: Tape On Reel.
- Clip plating (Female Only)
8: Full gold flash.
C: Full 3u" gold.
- Pin plating
6: Full tin.
8: Full gold flash.
- Housing Color
W: White
B: Black
V: Ivory
- Connector Type
F: Female
M: Male
- No. of positions
2: 2p ~ 5: 5p



Female

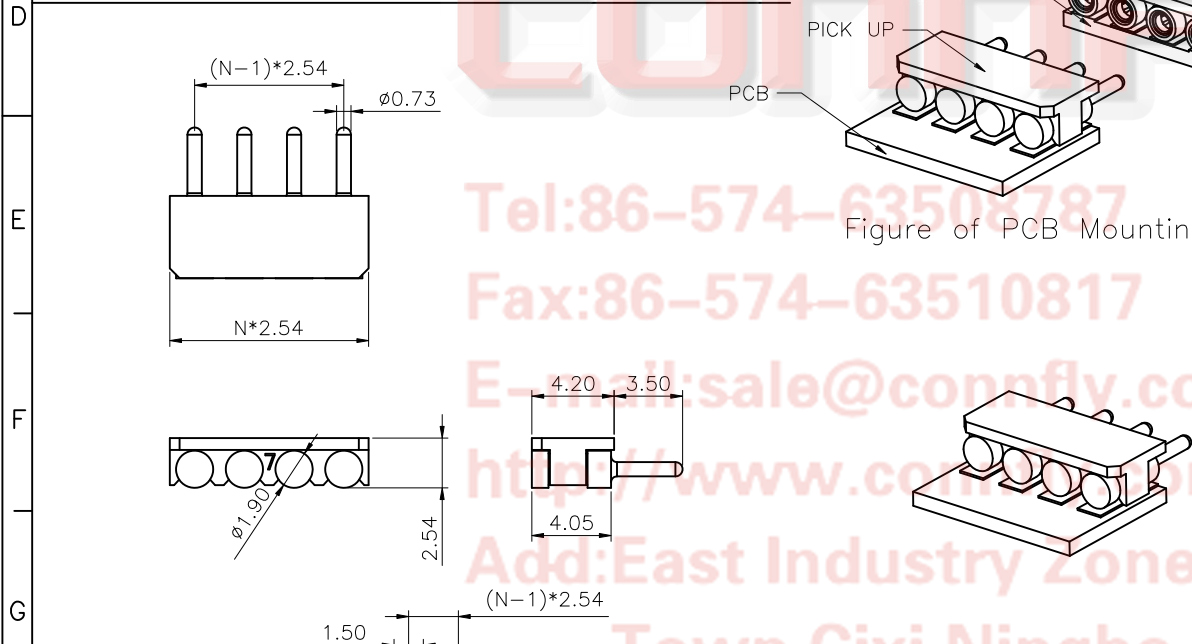
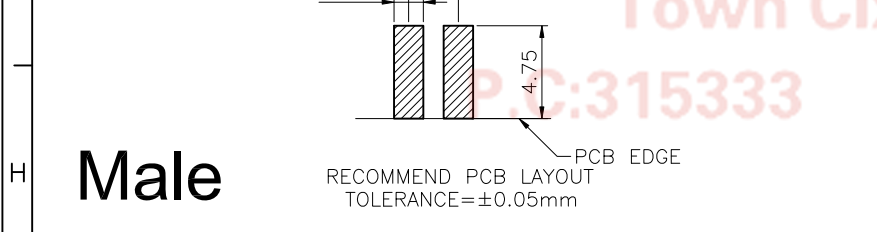


Figure of PCB Mounting



Male

GENERAL TOLERANCE		ANGLE TOLERANCE	
.X	±0.60	.X	±5°
.X	±0.38	.X	±3°
.XX	±0.25	.XX	±2°

DRAWING TYPE	CUSTOMER	
SCALE	1:1	SHEET 1 OF 1
DRAWING NO.	C-DS1137-07-XXXXXX-B	

PROJECTION	TITLE
	2.54mm LED Series Plug & Socket
UNITS	mm
SHEET SIZE	A4
SERIES	DS1137-07 SERIES

晨翔电子有限公司
CONNFY CONNFY ELECTRONIC CO., LTD

Tel: 86-574-63508787
 Fax: 86-574-63510817
 E-mail: sale@connfly.com
 http://www.connfly.com
 Add: East Industry Zone KuangYan
 Town Cixi Ningbo China
 P.C: 315333