

REV.	DESCRIPTION	DRAWN	CHECKED	APPROVED
A	NEW RELEASE	JLZ 06/23/17'		

NOTES:

1.Materials:

- 1.1. Housing: PA66 Colour:White.
- 1.2. Contact: Copper Alloy, Plating Tin.
- 1.3. Tooth Slice:Steel, Plating Tin,
- 1.4. DC Insulator:Plastic Colour:Black.
- 1.5. DC Contact: Copper Alloy, Plating Nickel.

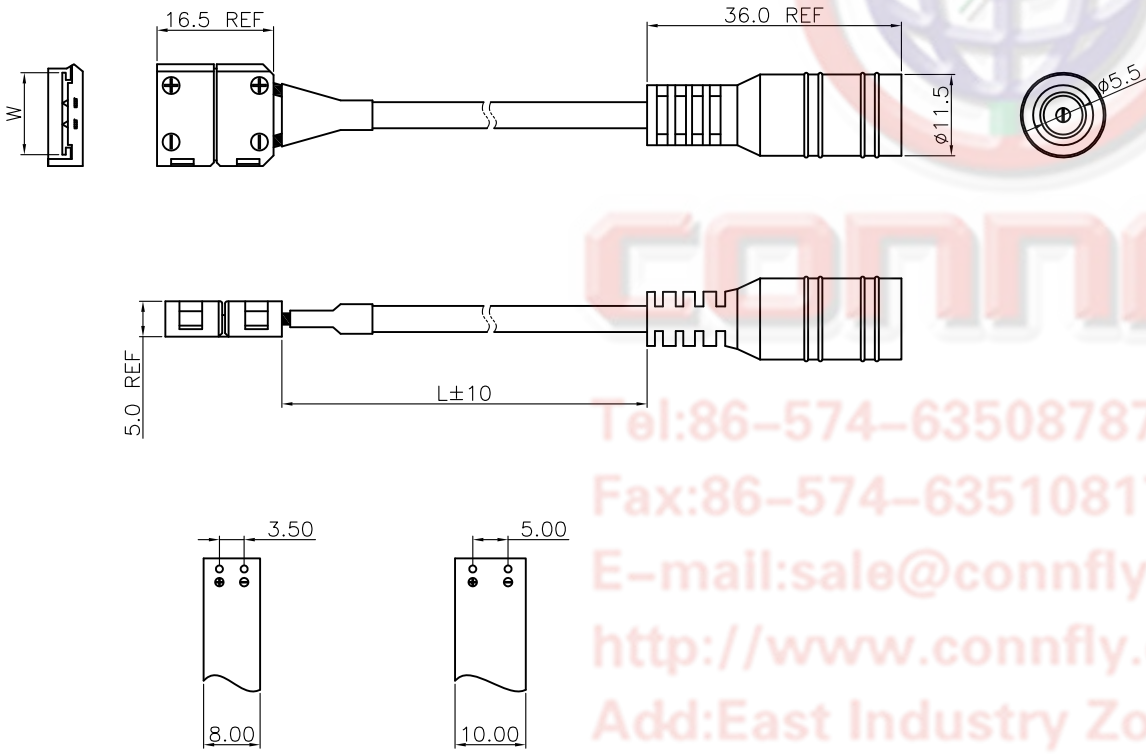
2.Specifications:

- 2.1. Contact Resistance: 100mΩ maximum.
- 2.2. Insulation Resistance: 1000MΩ minimum.
- 2.3. Dielectric Withstanding Voltage: 1000V AC 1 minute.
- 2.4. Current: 5A AC,DC.
- 2.5. Voltage: 12~24V DC.
- 2.6. Application wire range:AWG26.
- 2.7. Application strip thickness:0.3mm.
- 2.8. Temperature: -20°C~+60°C.

3. Product Number Code:

DS1137-38 - X X X X X X X

- Wire length(Dim L)
150: 150mm
.....
- Strip Width(Dim W)
A: 8mm B: 10mm
- Pin plating
6: Full tin.
- Mounting type
D: IDC type
- Wire Gauge
26:UL2464 26AWG
- Connector type
F: Female
- No. of positions
2: 2p



Strip A Type Strip B Type

Tel:86-574-63508787
 Fax:86-574-63510817
 E-mail:sale@connfly.com
 http://www.connfly.com
 Add:East Industry Zone KuangYan
 Town Cixi Ningbo China
 P.C:315333

GENERAL TOLERANCE		ANGLE TOLERANCE		PROJECTION		TITLE	2 Pin RGB LED Strip Connector Adaptor 5.5mm DC Jack Cable	
X.	±0.60	X.	±5°	UNITS	mm	SERIES	DS1137-38 SERIES	
.X	±0.38	.X	±3°	SHEET SIZE	A4			
.XX	±0.25	.XX	±2°					
DRAWING TYPE		CUSTOMER			晨翔电子有限公司 CONNFLY CONNFLY ELECTRONIC CO. LTD			
SCALE	1:1	SHEET	1 OF 1					
DRAWING NO.	C-DS1137-38-XXXXXXX-A							