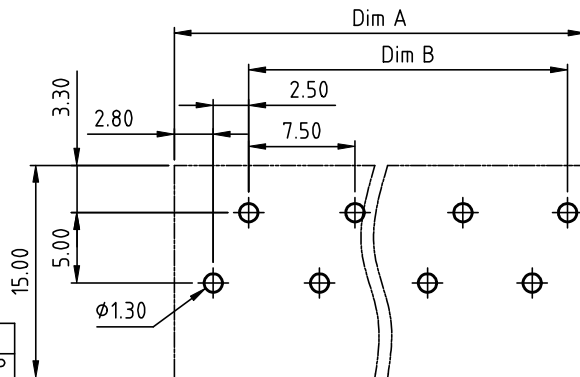
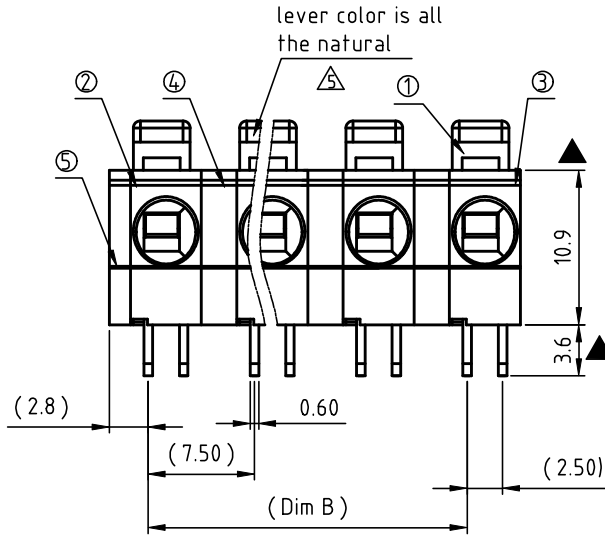
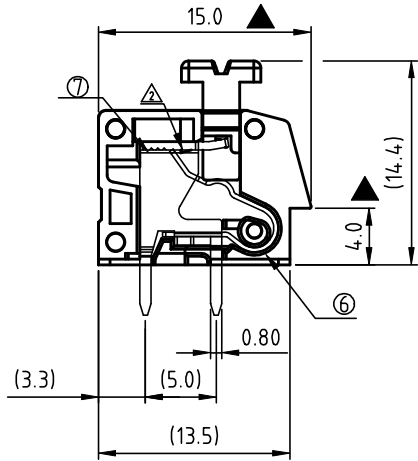
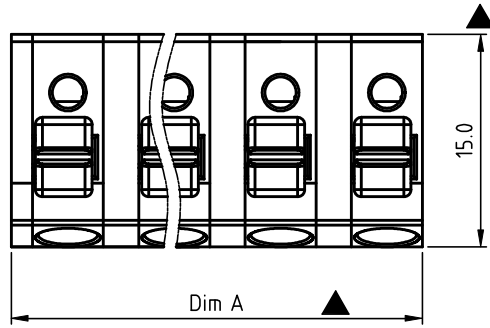


RoHS Compliant



N=NUMBER OF POLES

DIM		TOL			
		2P--4P	5P--8P	9P--12P	13P--16P
Dim A	(N-1)×7.5+6.50	±0.15	±0.20	±0.30	±0.40
Dim B	(N-1)×7.5				

PCB Layout
Top view

Rev.	SIGN	DATE	DESCRIPTION	APPROVER
B	△	08/24'12	Change the dwg no 8H60104 to 8H60601	Da cheng
C	△	11/11'13	change the structure & update the drawing	Da cheng
D	△	11/20'19	Delete VDE&cULUS	Guoxue
	△	11/20'19	Add the " Wave Soldering temperature: 260°C ±5°C/5 Sec"	Guoxue
	△	11/20'19	Add the lever Color & Update the drawing	Guoxue
	△	11/20'19	Delete the Dim.B Tol. & Add the Reference dimension.	Guoxue

THIS IS CAD DRAWING, DO NOT REVISE MANUALLY!!!

- Material:
- Item ① Lever: Thermoplastic (UL94V-0)
 - Item ② Terminal body: Thermoplastic (UL94V-0)
 - Item ③ Terminal side body: Thermoplastic (UL94V-0)
 - Item ④ Pad board: Thermoplastic (UL94V-0)
 - Item ⑤ cover: Thermoplastic (UL94V-0)
 - Item ⑥ Spring clamp: Stainless steel
 - Item ⑦ contact pin: Brass.Tin plated
- Electrical:
- Voltage rating: 300 V
 - Current rating: 11 A
 - Wire range:
 - Solid wire(AWG): 12-20
 - Stranded wire(AWG): 12-20
 - Wire strip length: 10-11 mm - Withstanding Voltage: 1.6KV
 - Operating temperature: -40°C to +115°C
- △ ● Wave Soldering temperature: 260°C ±5°C/5 Sec
 - Safety Approval:
 - Critical dimension:
 - △ ● Reference dimension: (×)The dimensions of pitch are just for reference, take the actual assembly result as a judgment when inserting the terminal block into the PCB hole.

H6 xx 1 0 x 0 xxxx G		RoHS compliant (lead-4%) In copper Alloy
No. OF POLES		0000: "@" Logo (Standard)
02: 2 POLES		000A: "ANYTEK" Mark
16: 16 POLES		Any special item by customer request, please contact sales department.
△ Body Color		
0	Black (RAL9005)	
2	Red (RAL3001/D)	
3	Orange(RAL2011/P)	
4	Yellow(RAL1018/A)	
5	Green(RAL6018/T)	
6	Blue (RAL5015/A)	
8	Grey(RAL7004/P)	
9	White(RAL1102)	
C	Multiple colors	

Amphenol ANYTEK				CUSTOMER COPY	
ALL RIGHTS RESERVED. REPRODUCTION OR ISSUE TO THIRD PARTIES IN ANY FORM WHATSOEVER IS NOT PERMITTED WITHOUT WRITTEN AUTHORITY FROM THE PROPRIETOR. PROPERTY OF ANYTEK TECHNOLOGY CO., LTD					
TITLE		H6 7.5mm Series (Round hole)			
PART NO.		H6xx10x0xxxxG		DWG NO. 8H60701 △	
APPROVED	CHECKED	DESIGNED	DRAWN	CUST NO.	
		Guoxue 2019.11.20	Guoxue 2019.11.20		
				Tolerance	
				X. ±0.50	
				X.X ±0.30	
				X.XX ±0.10	
				X° ±1°	
				UNIT: mm	
				SCALE: NONE	
				SHEET: 01/01	
				REV.: D	